


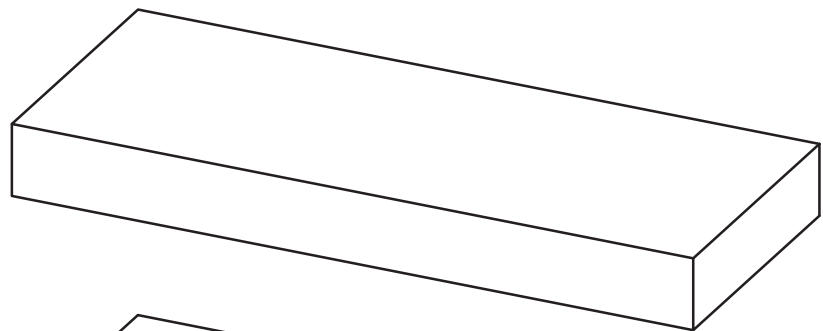
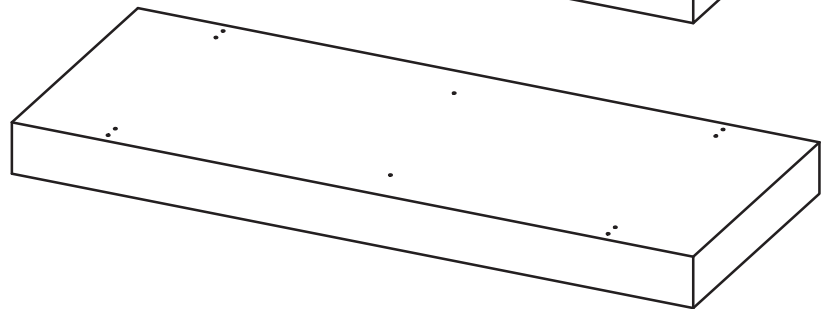




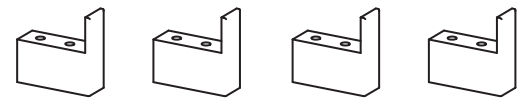
- ① x 8 
- ② x 8 
- ③ x 1 



A x 1



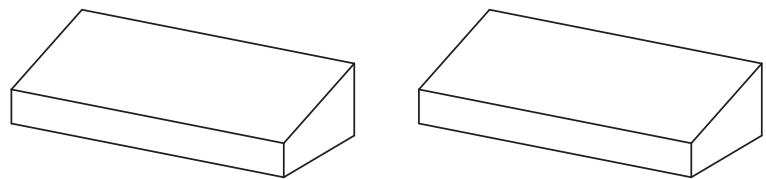
B x 1



C x 4



D x 2

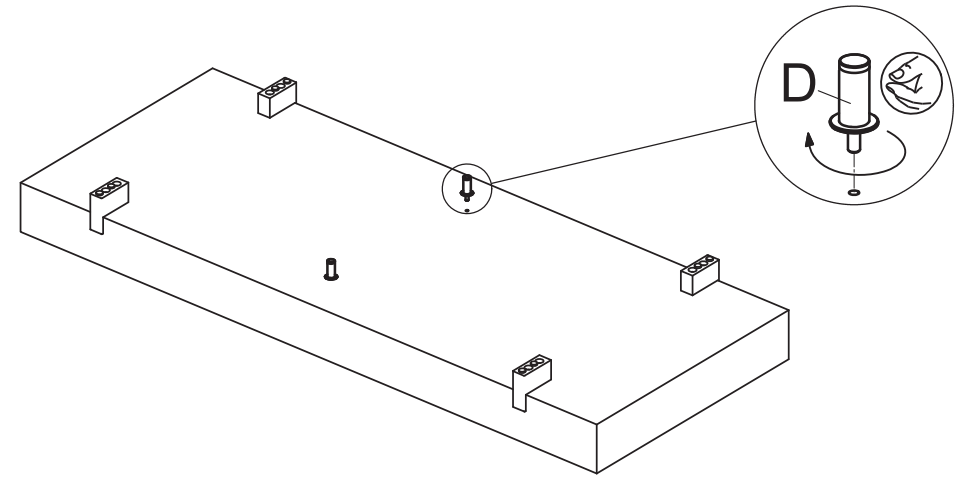


E x 2

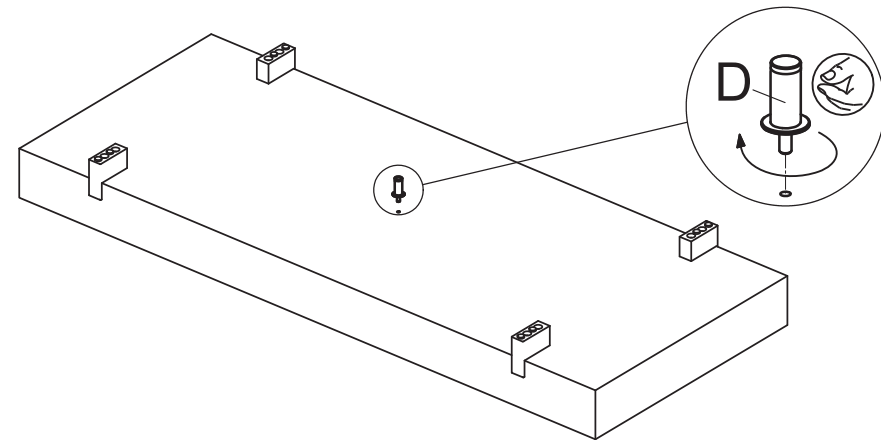


069561-01

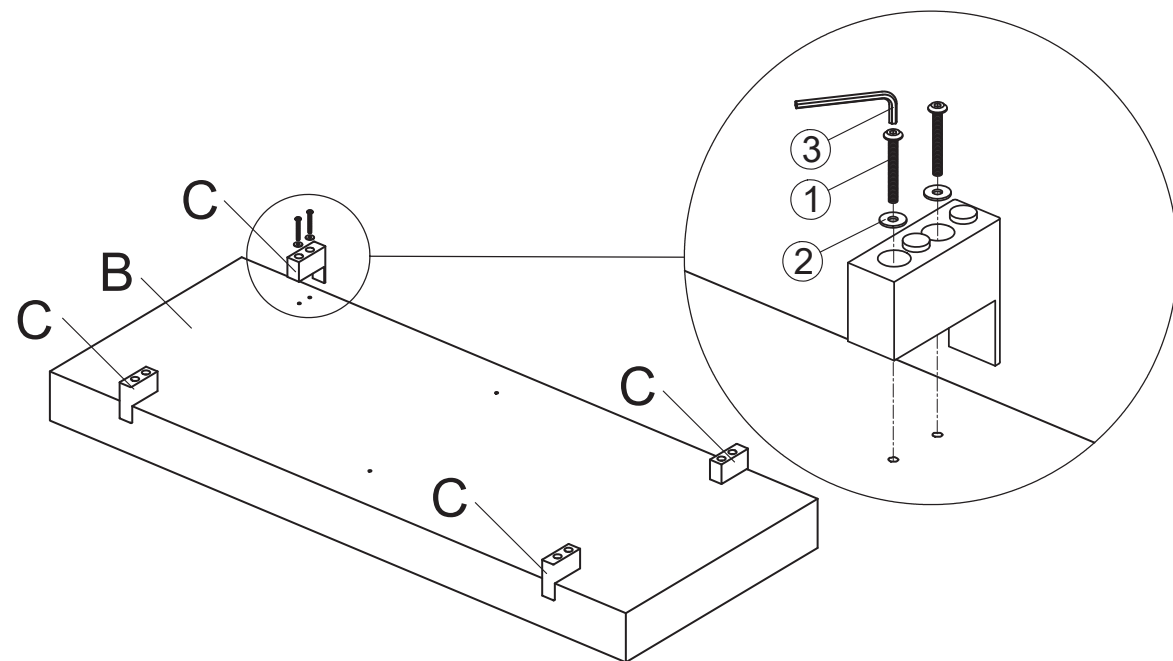
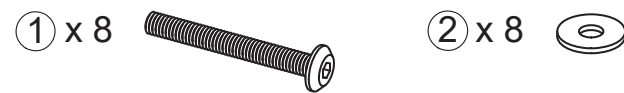
2A



2B



1



3

