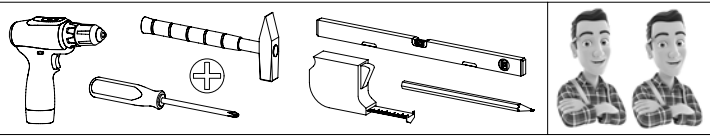
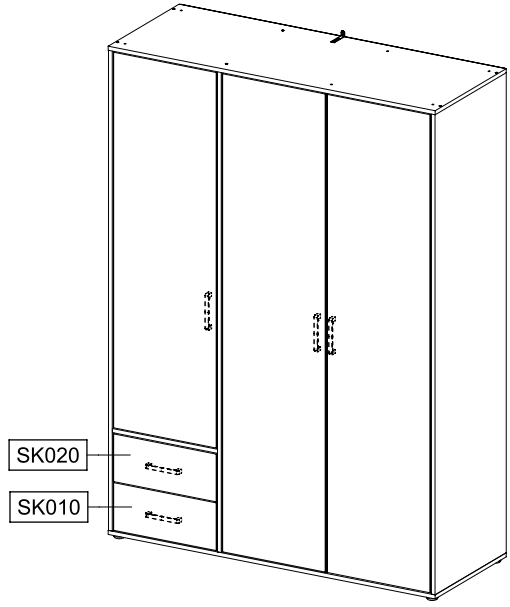
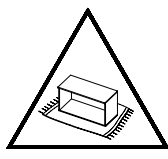


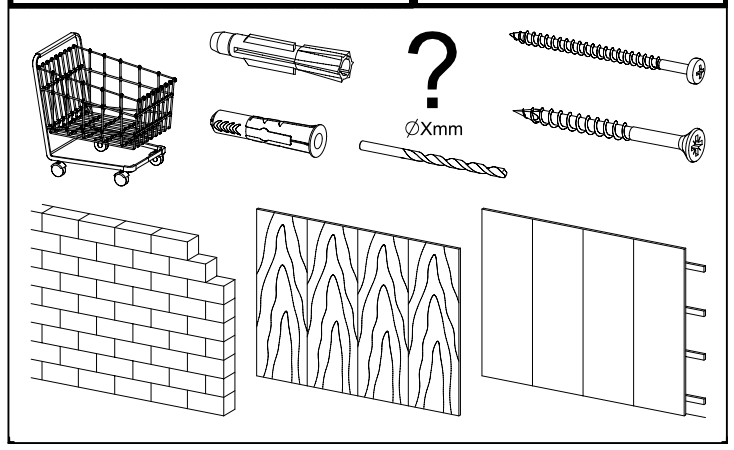
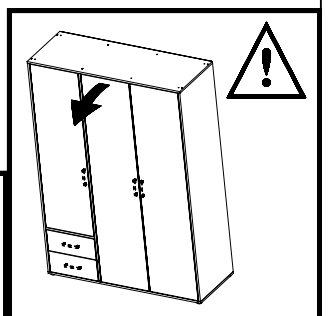
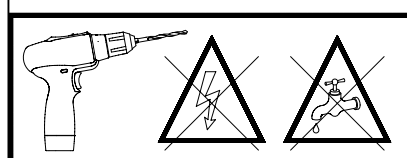
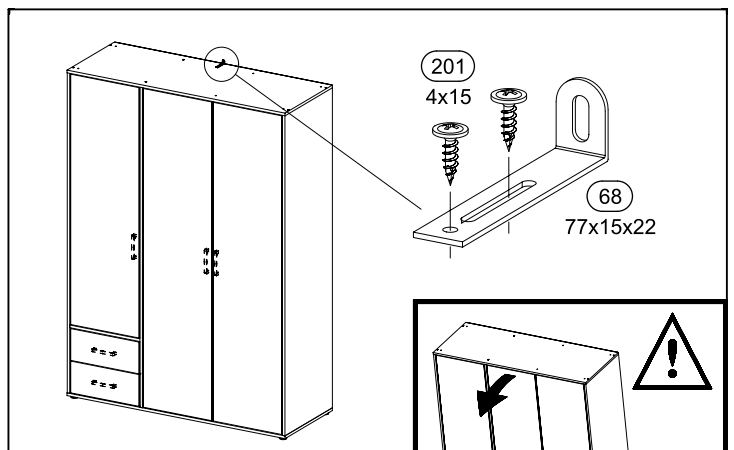
M2822_03



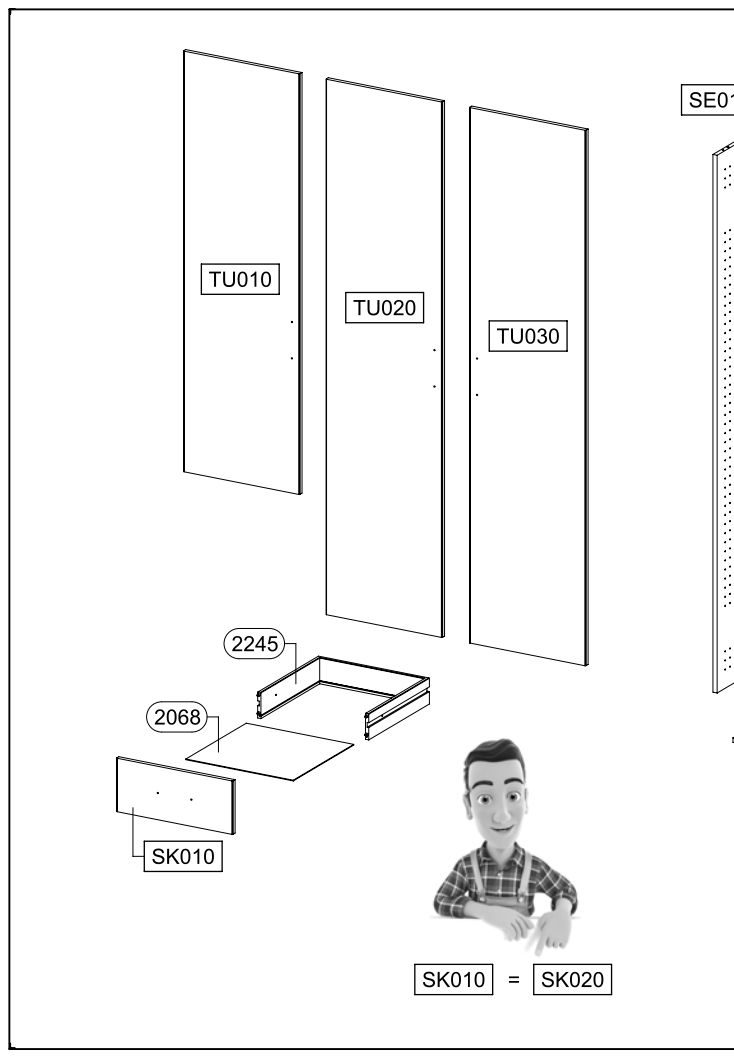
1,5h



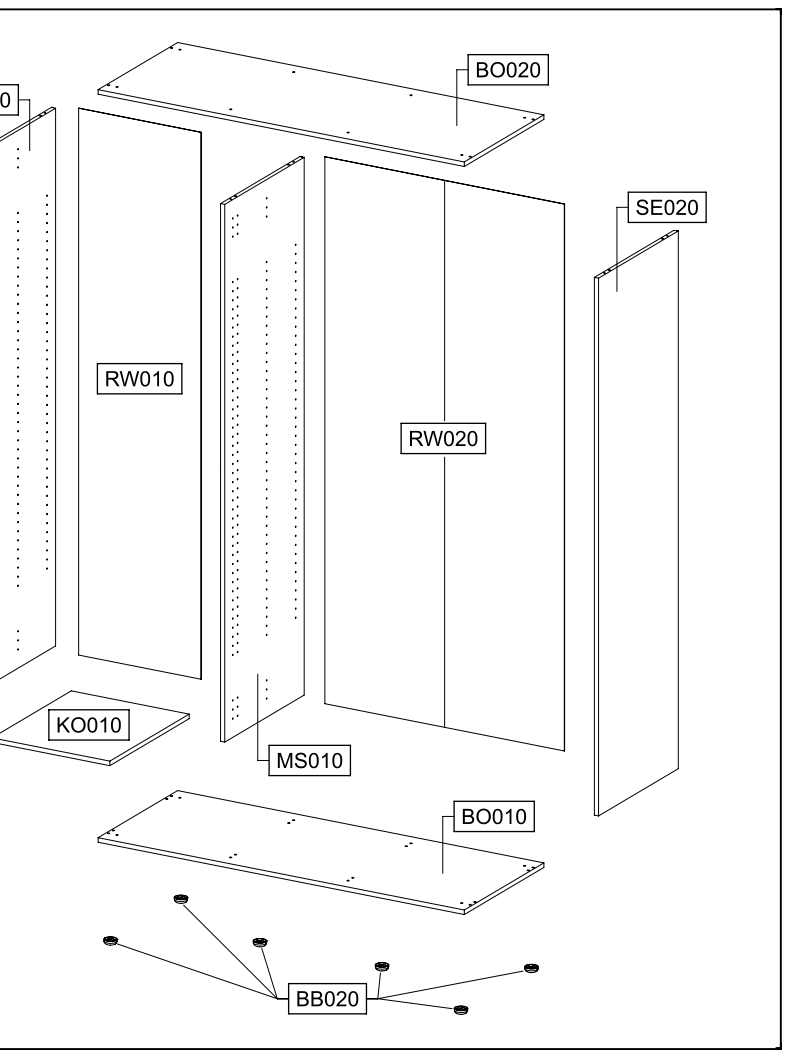
M2822




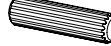
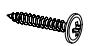
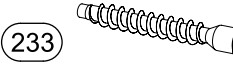

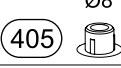


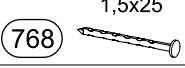
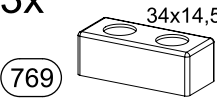
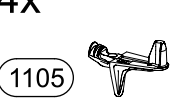
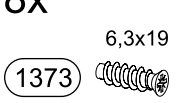
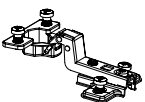
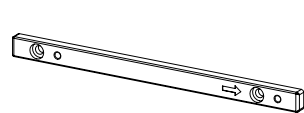
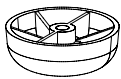
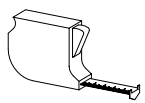
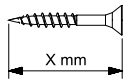
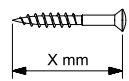
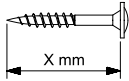
M2822

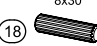

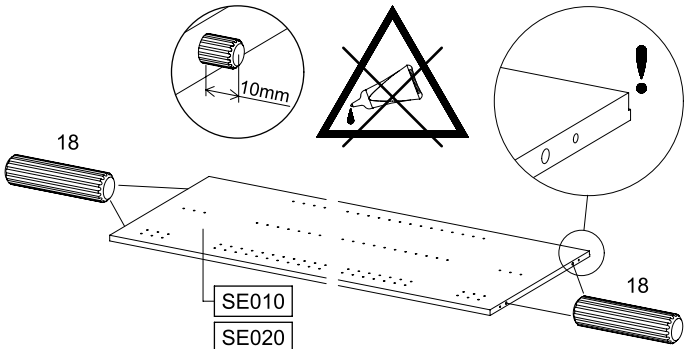
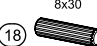

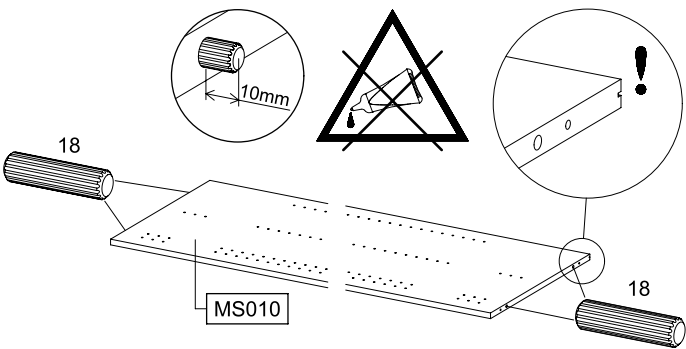



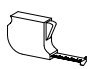
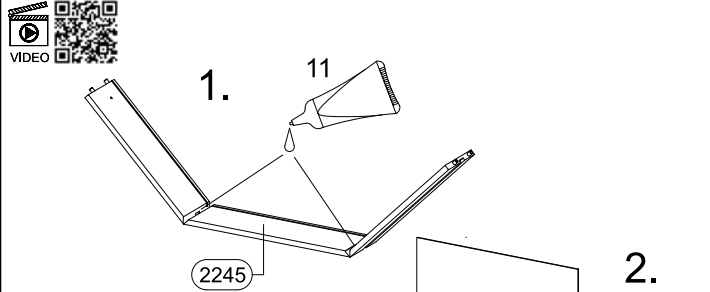
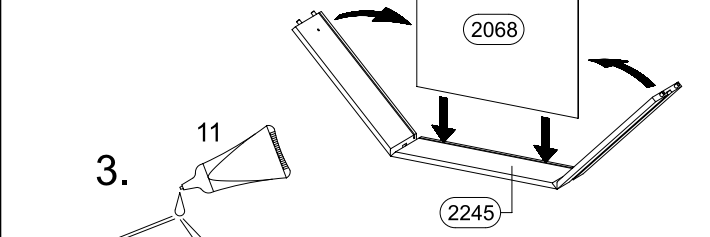
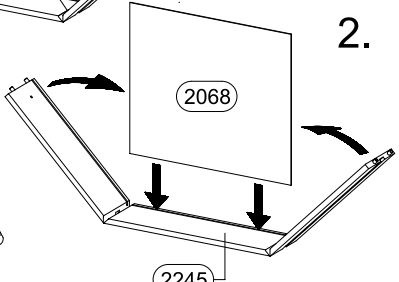
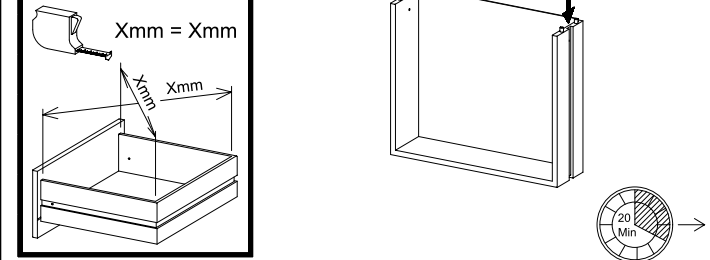
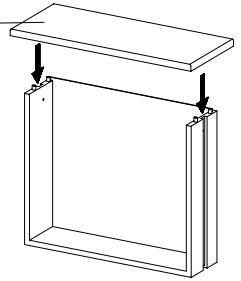
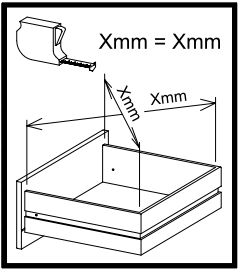
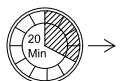
M2822




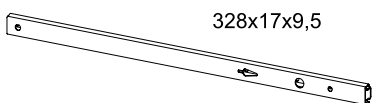


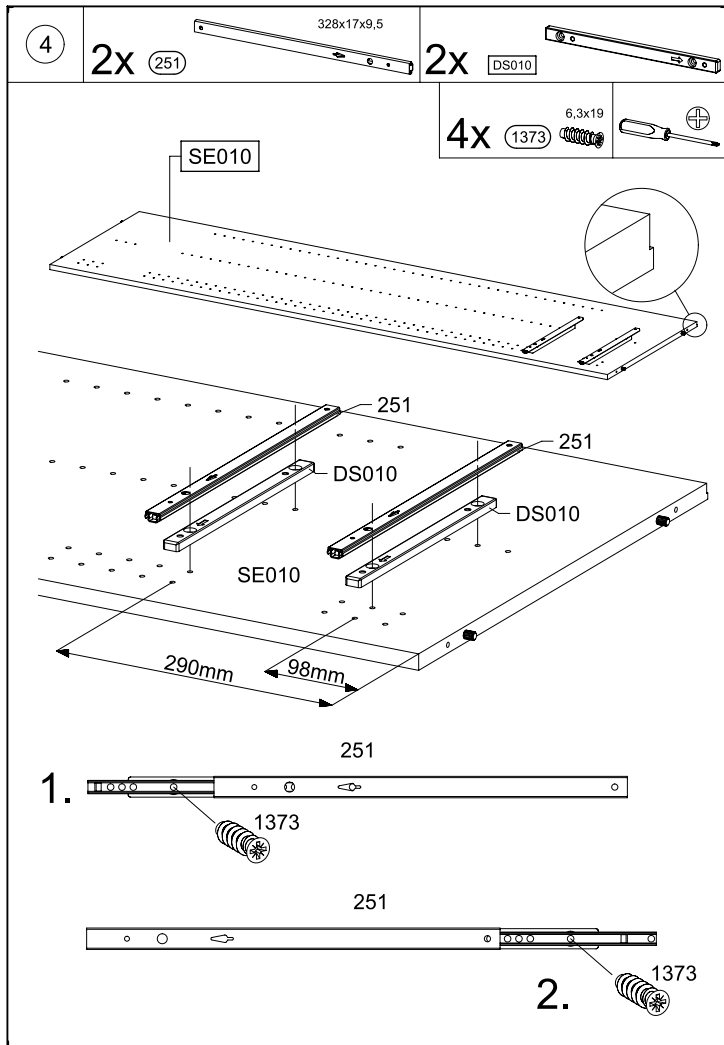
M2822

 11	12x 8x30  18	13x 3x20  215
12x 6,3x50  233	4x  251	
12x Ø8  405	12x 4x20  427	4x M4x9  568
40x 1,5x25  768		
3x 34x14,5x12  769	4x  1105	8x 6,3x19  1373
9x  1375	4x DS010  DS010	
6x BB020  BB020		
  X mm  X mm  X mm		

2	8x 18 8x30  18	
		
3	4x 18 8x30  18	
		

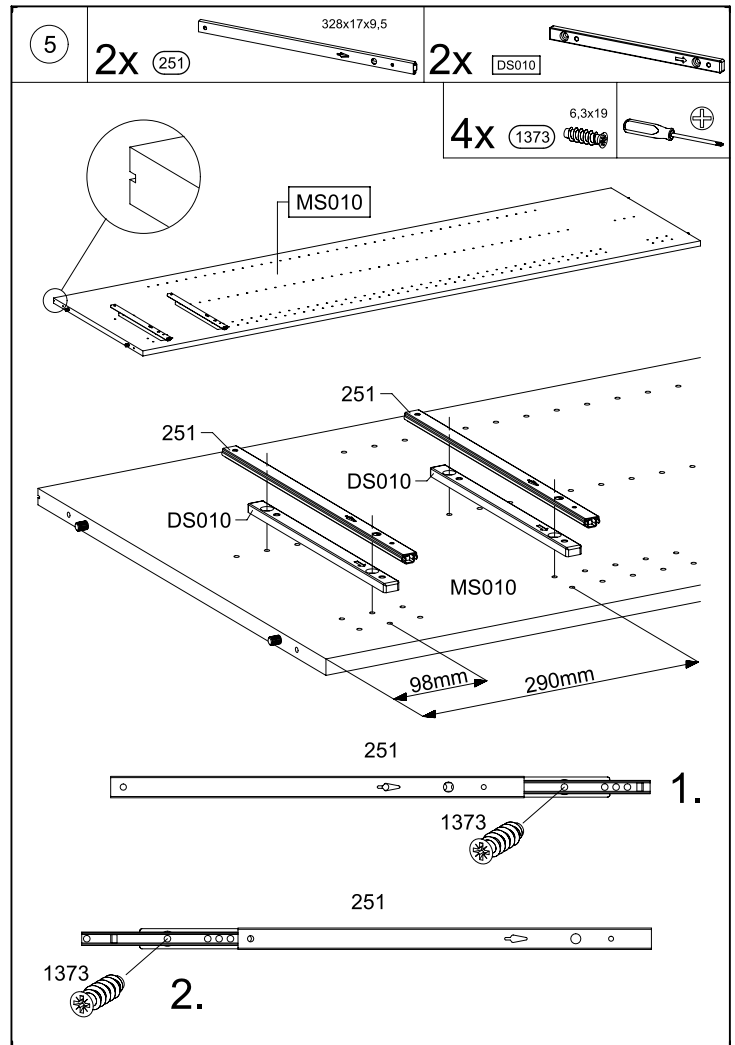
1	 11	
		
		
		
		
		
		
		



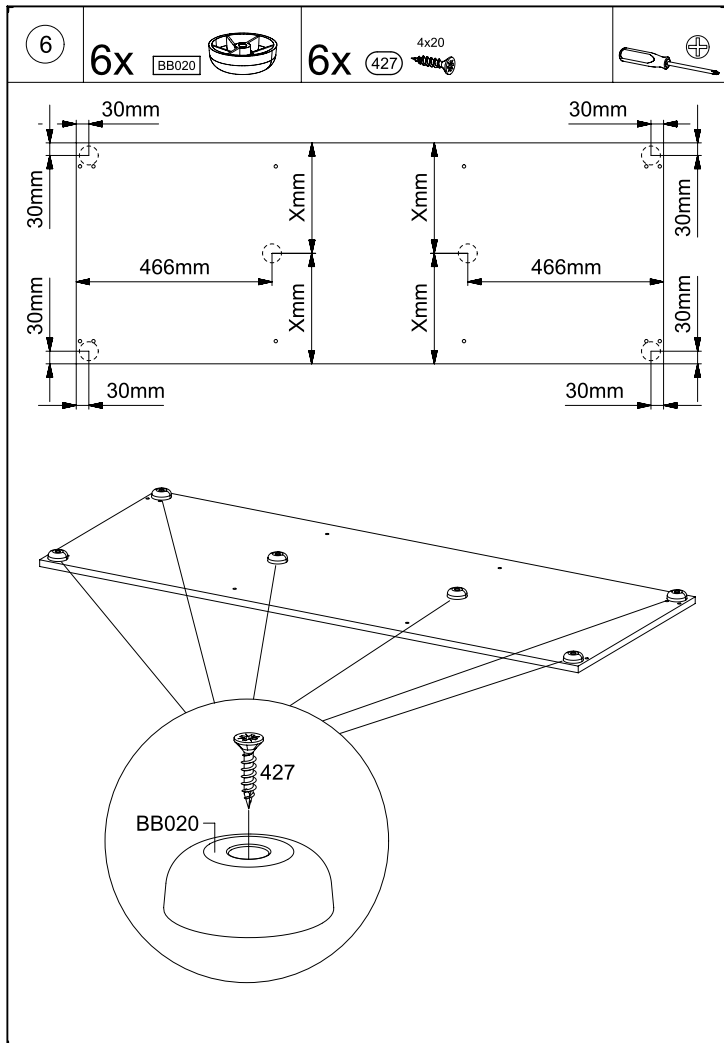
M2822

11.

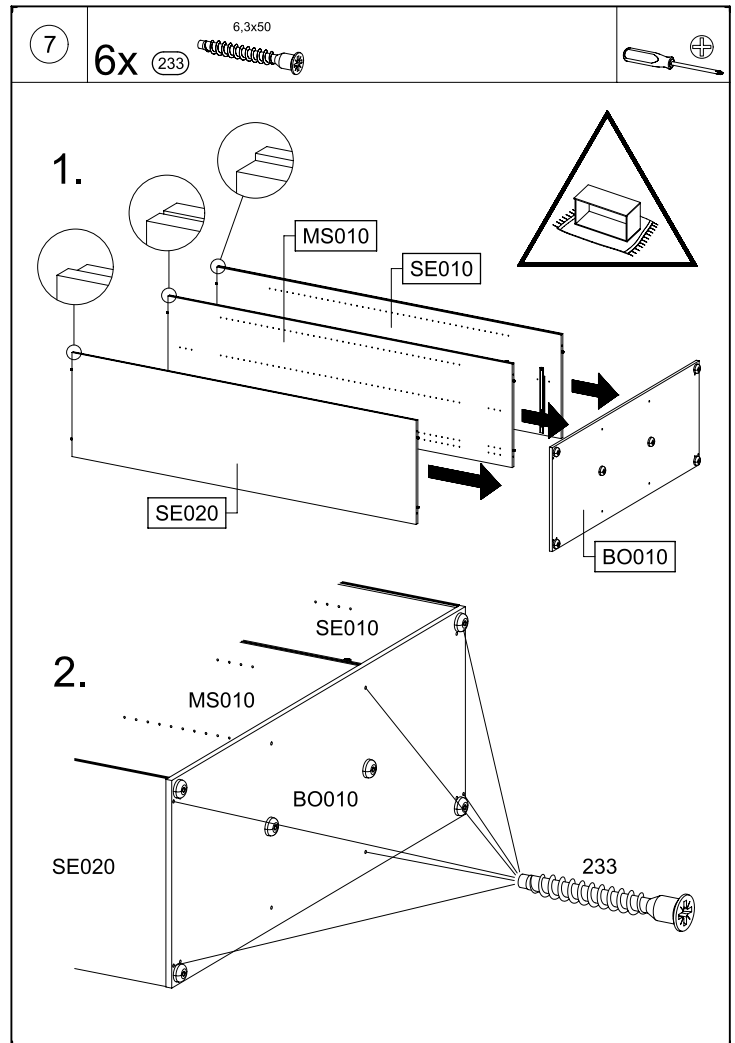


M2822

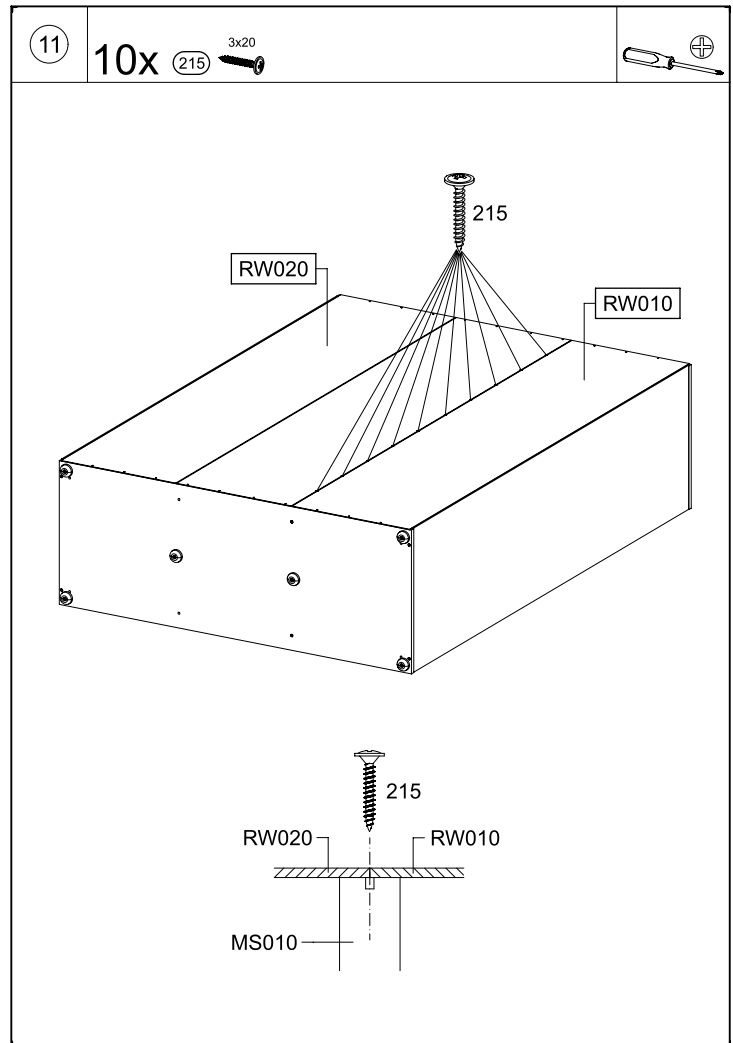
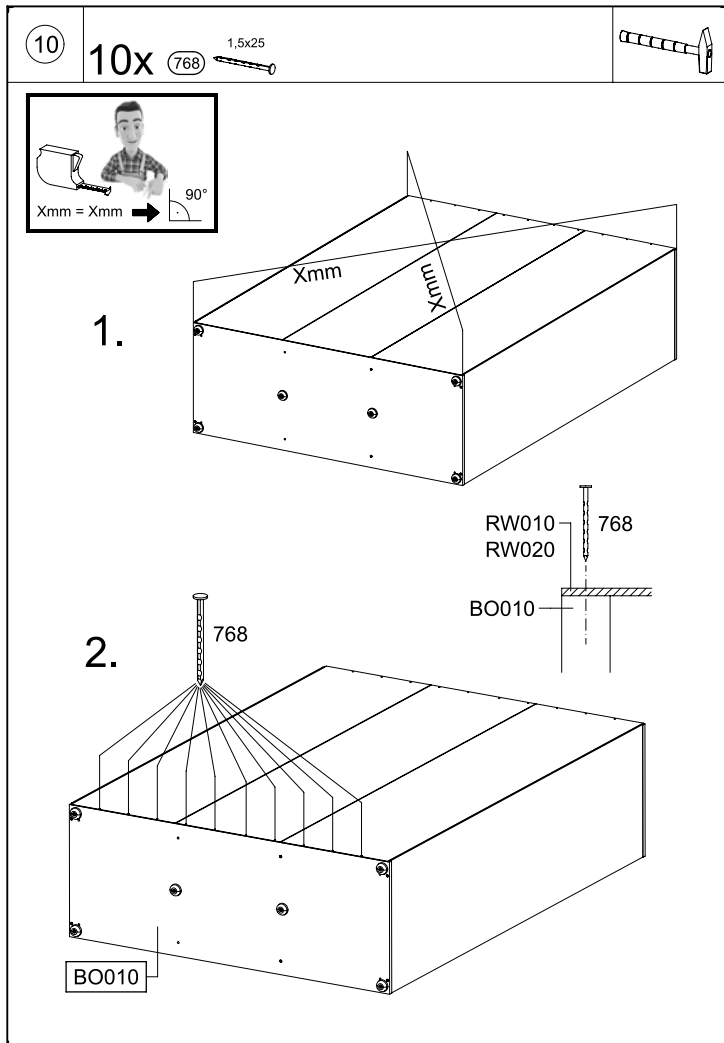
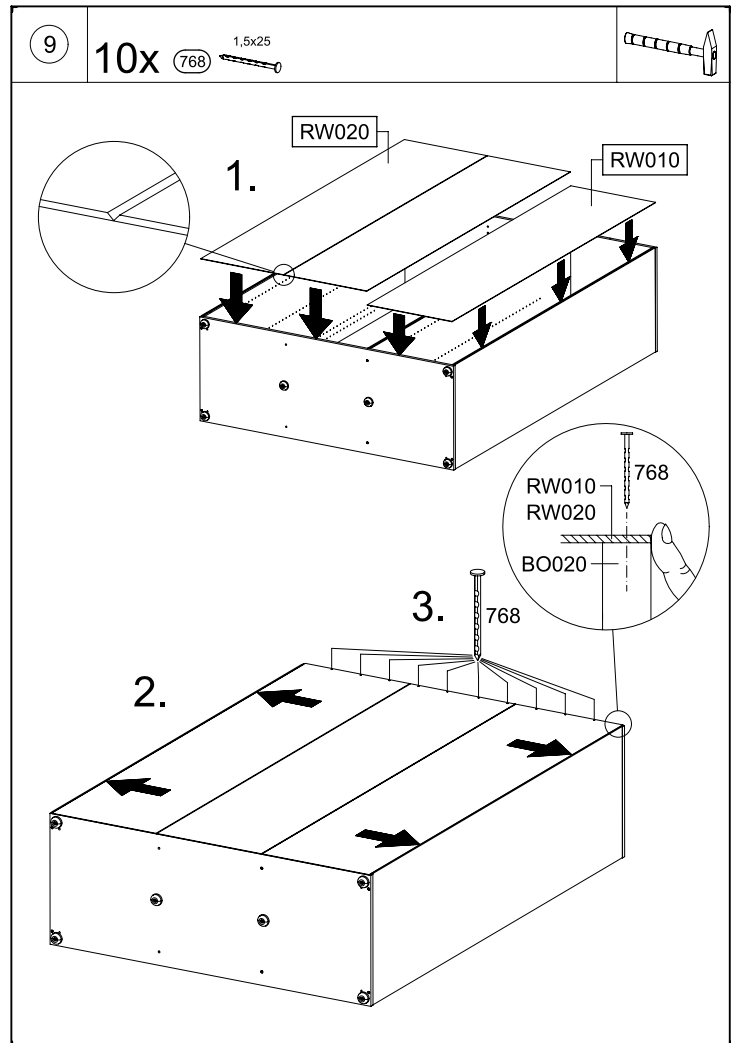
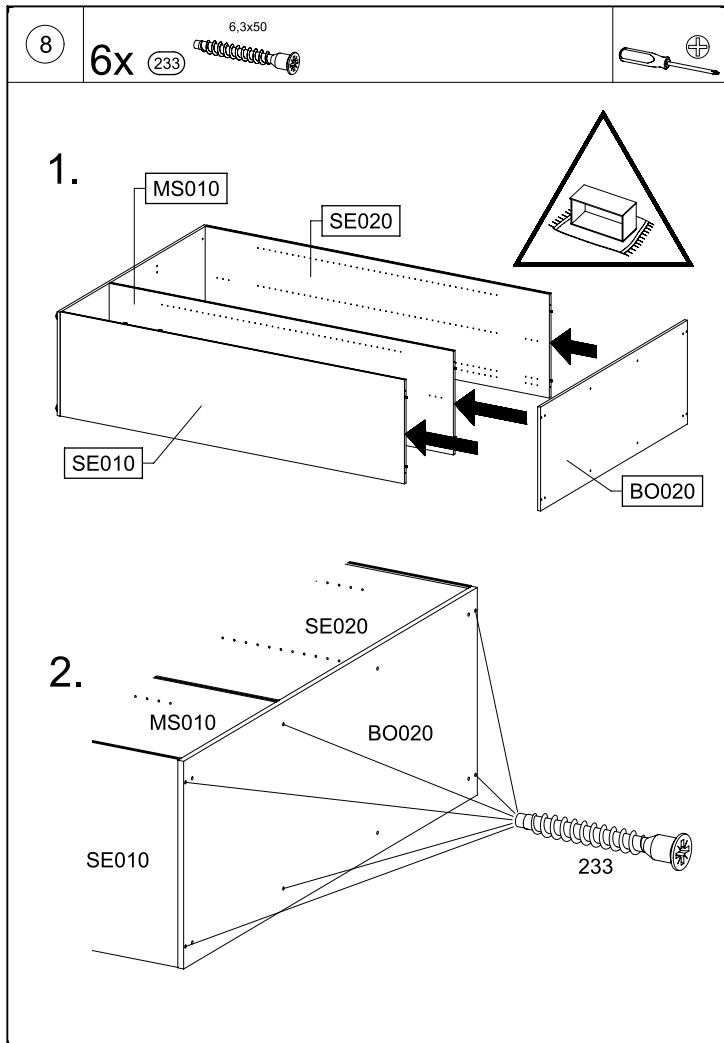
12.

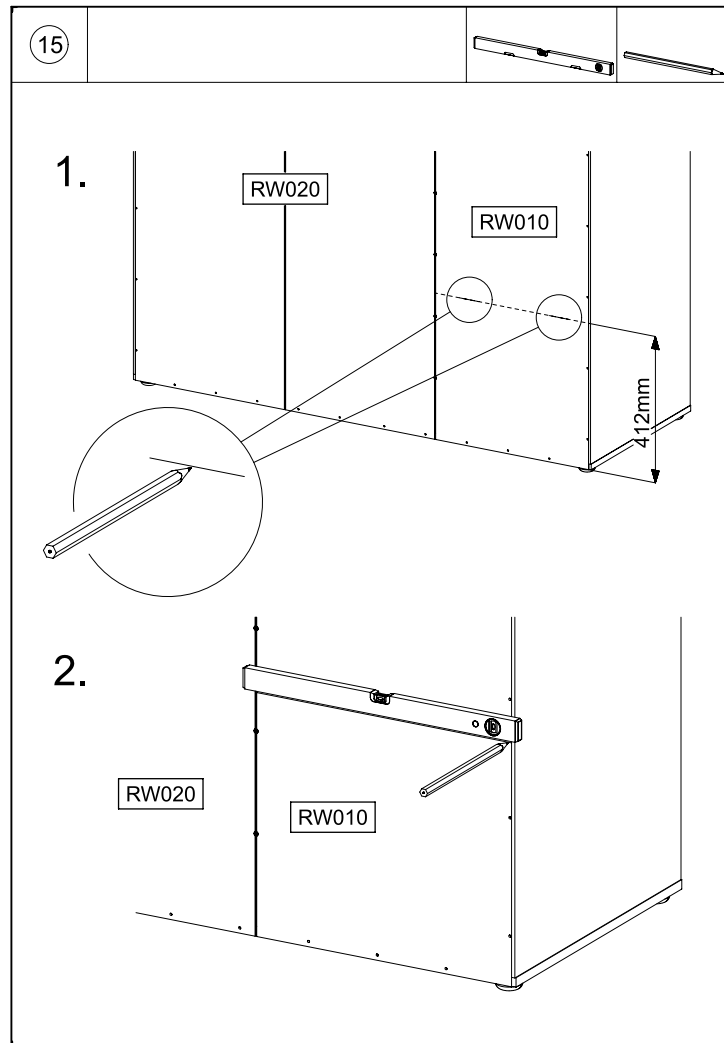
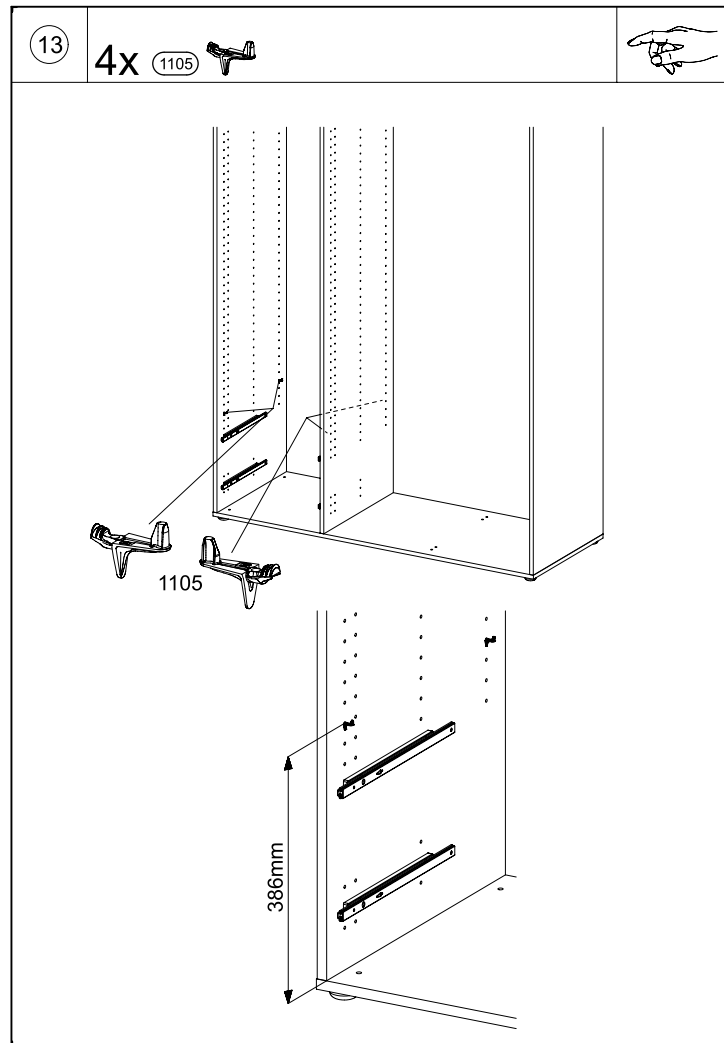
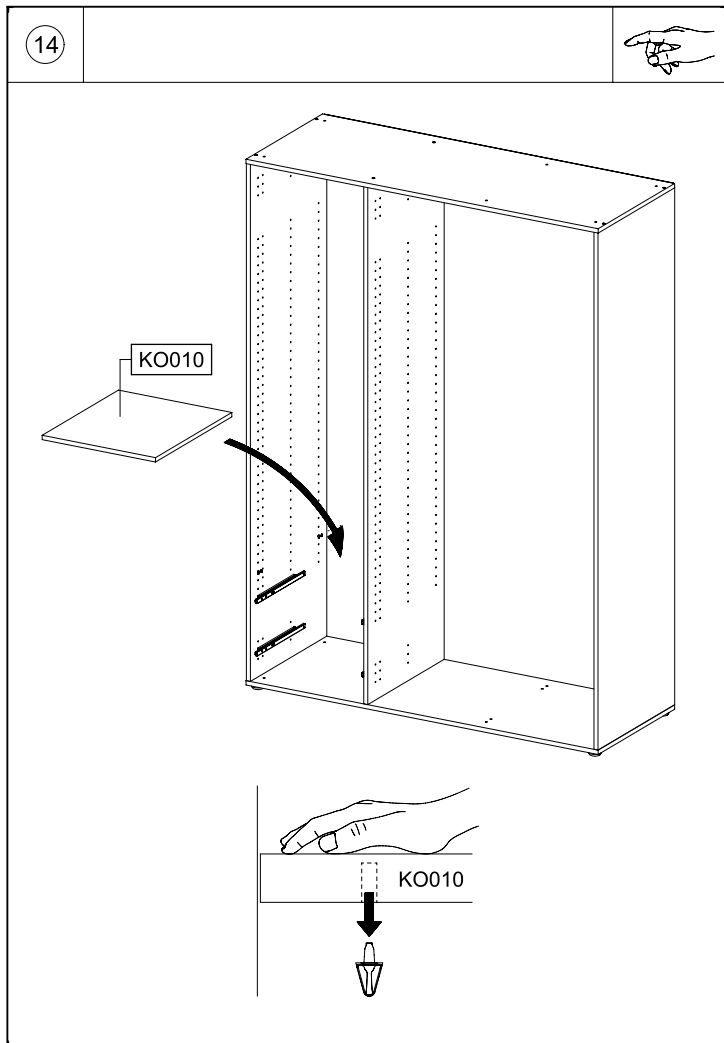
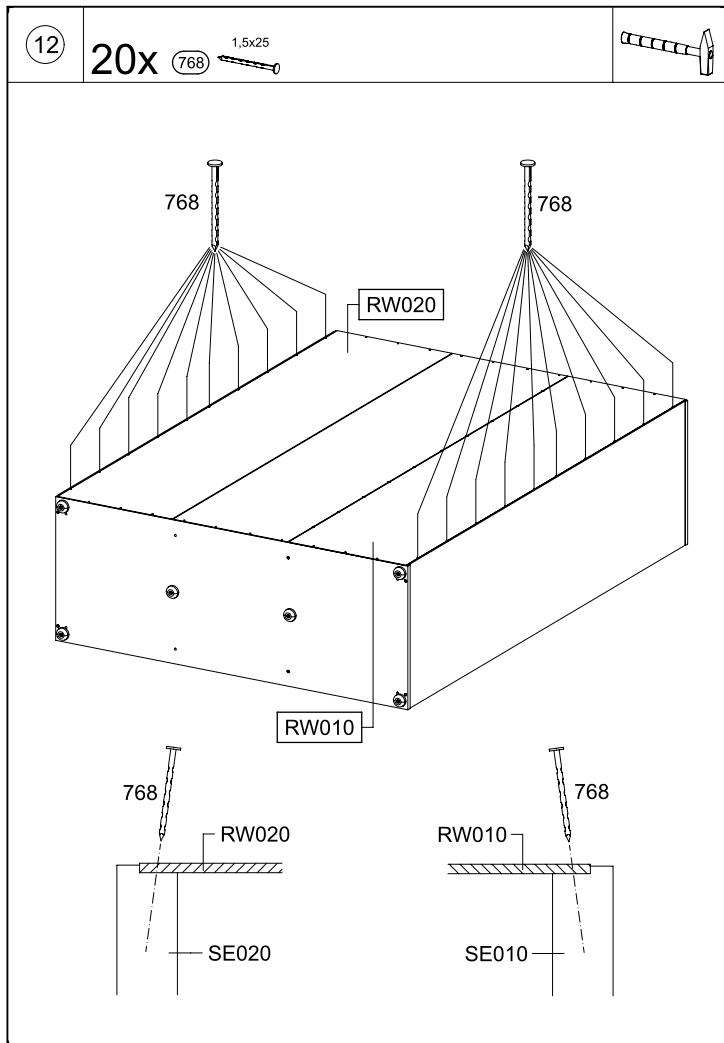


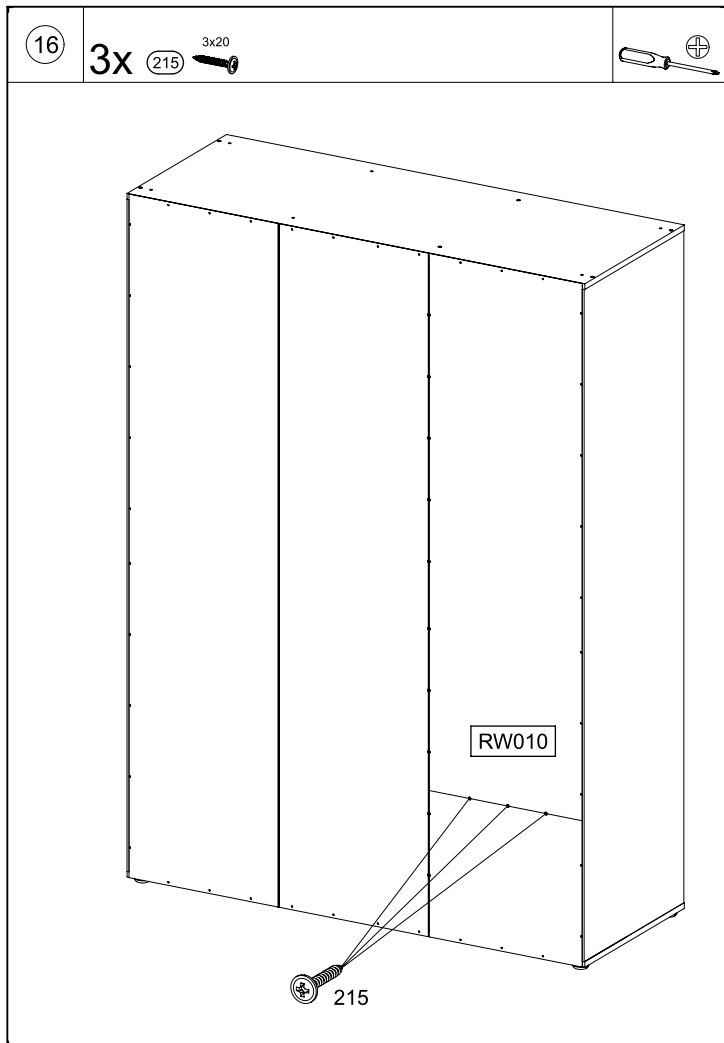
M2822



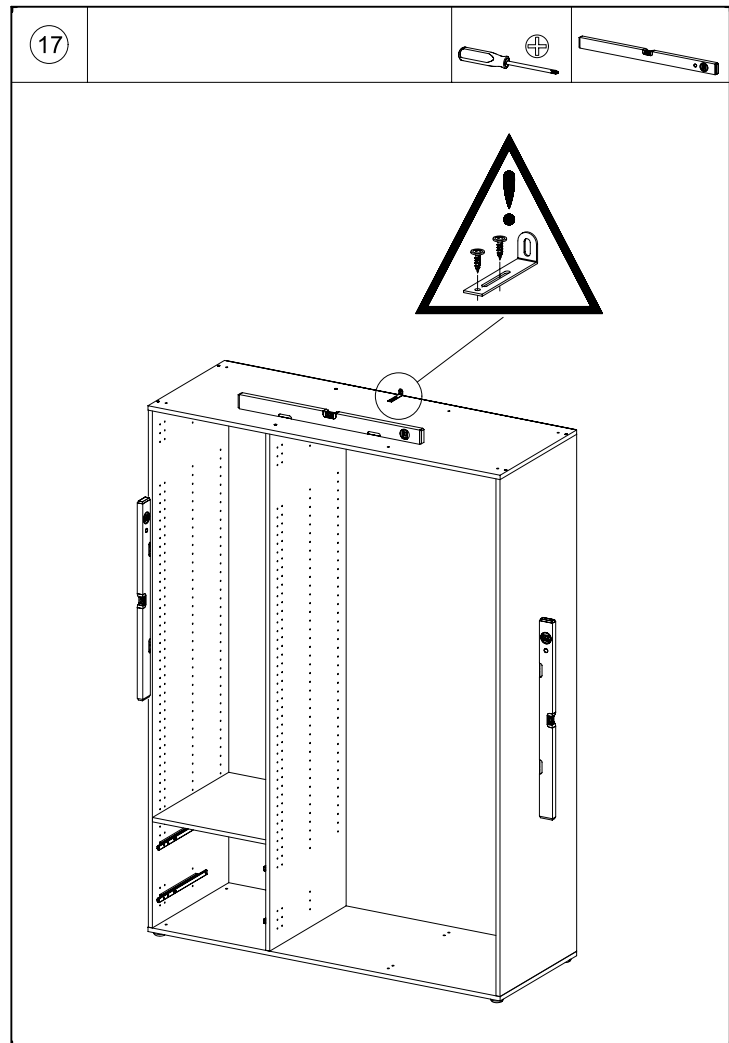
M2822



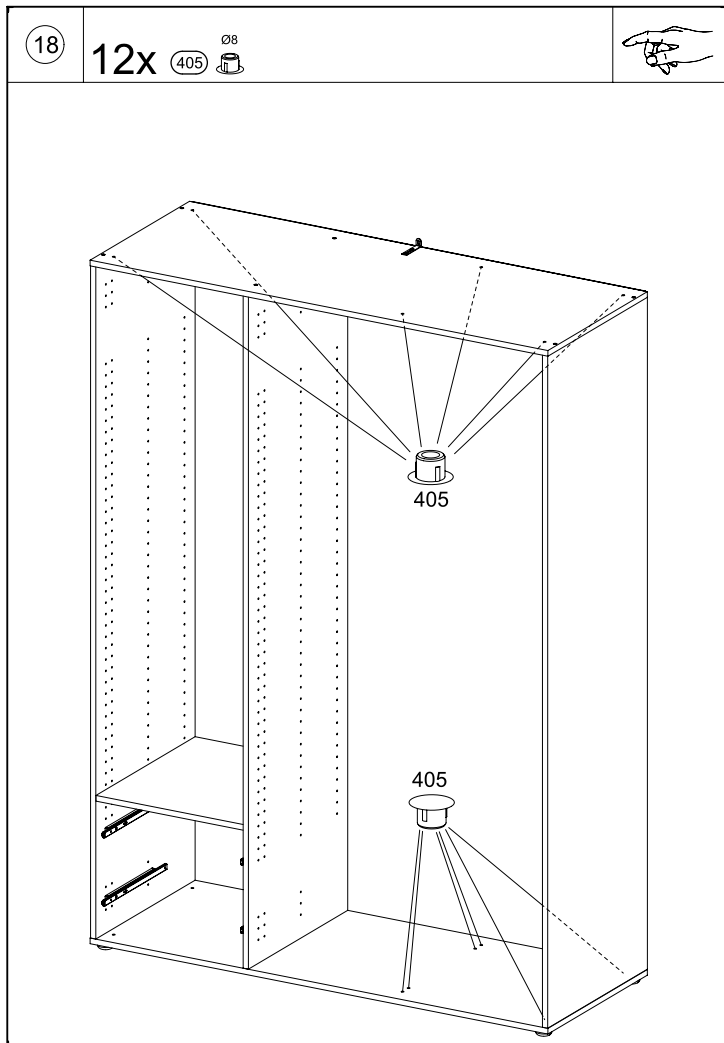




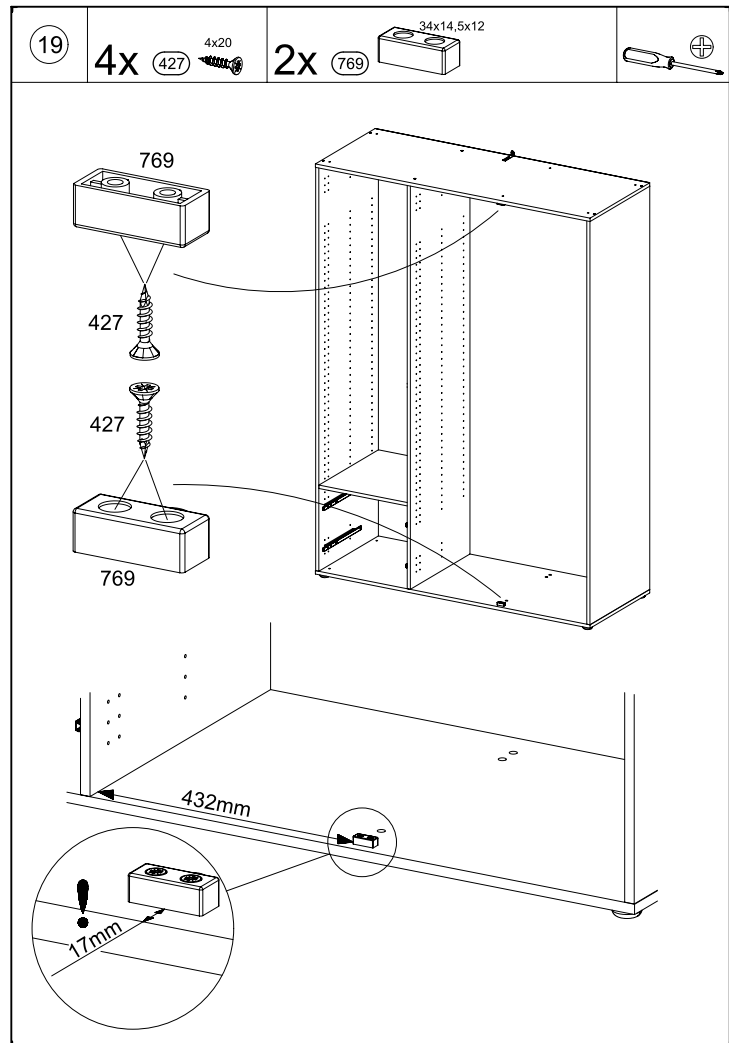
M2822



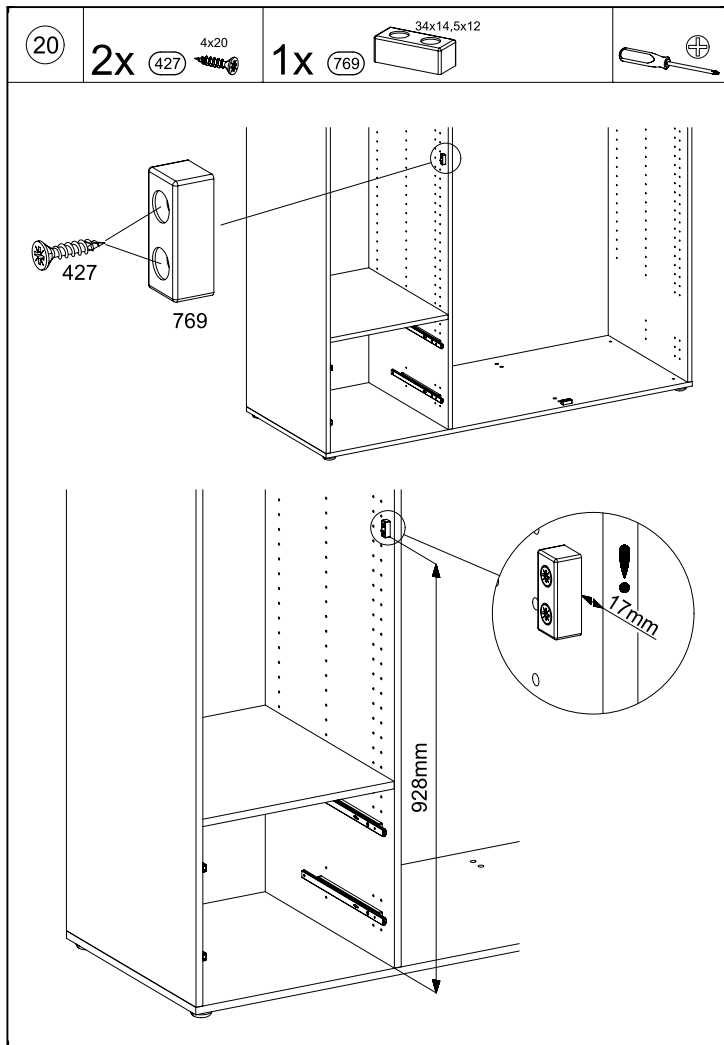
M2822



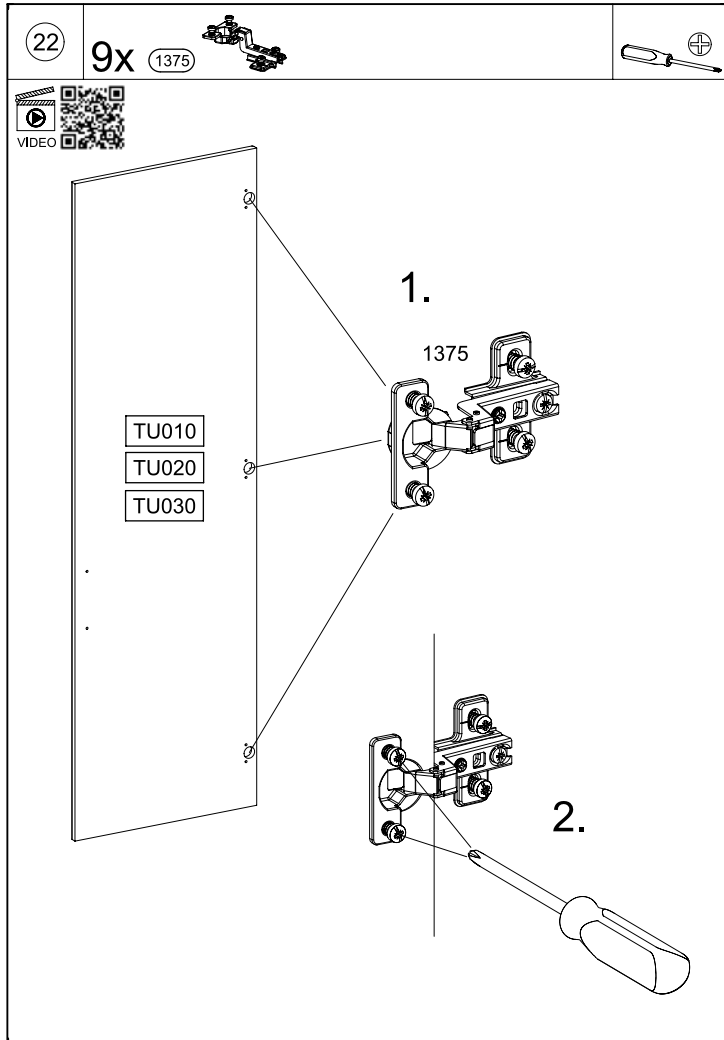
M2822



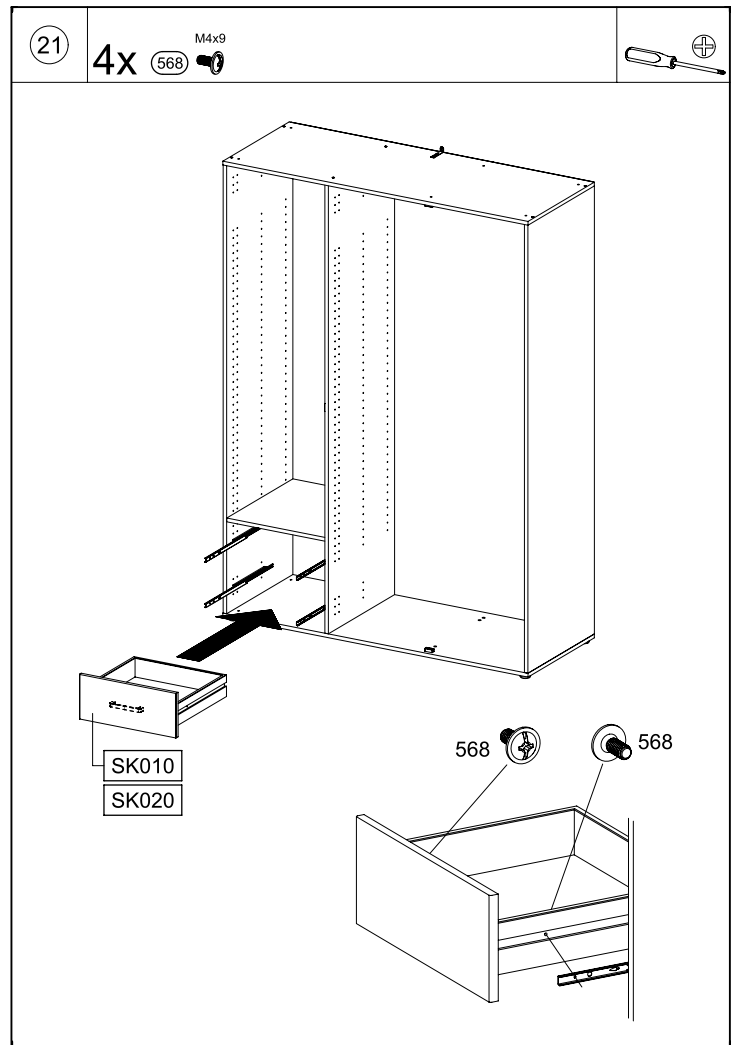
M2822



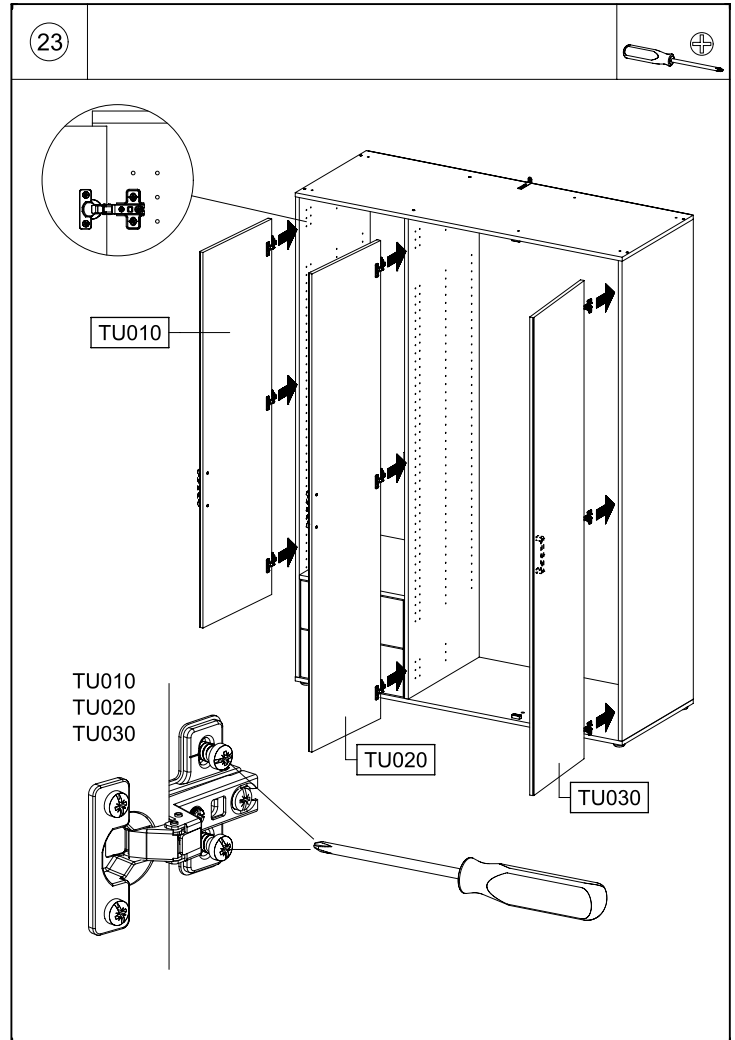
M2822



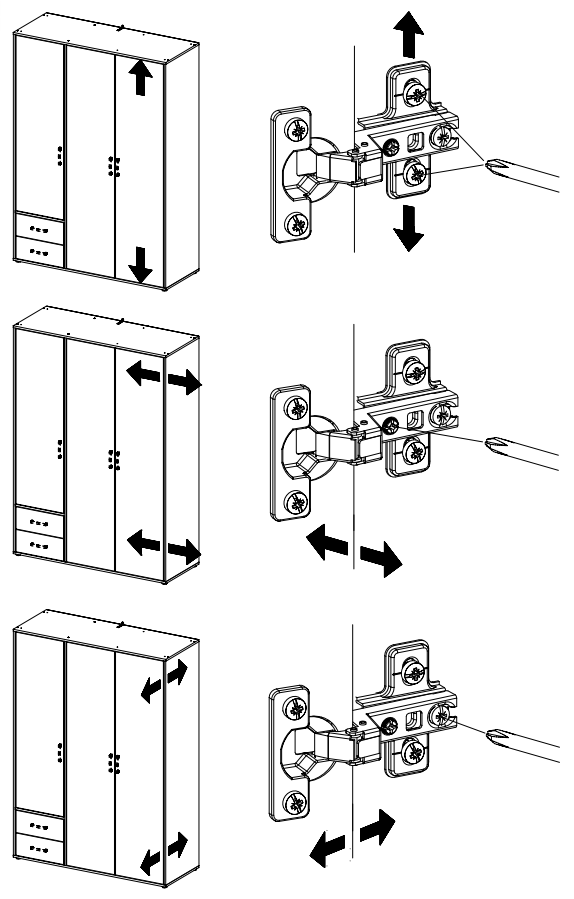
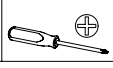
M2822



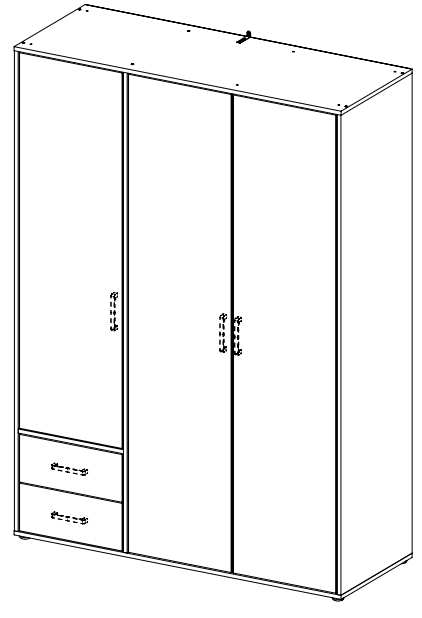
M2822



M2822

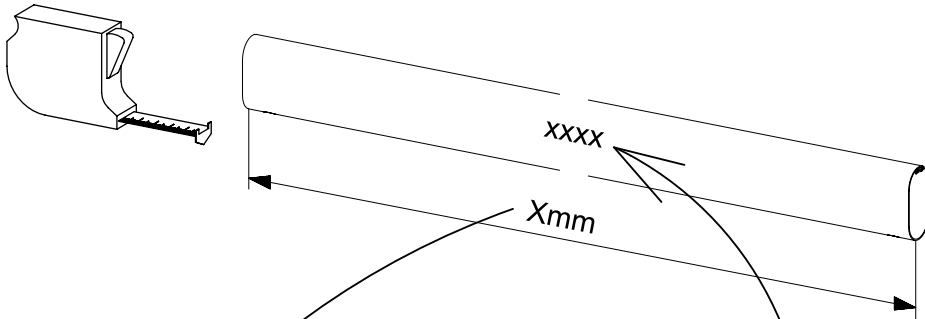
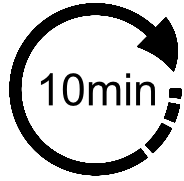
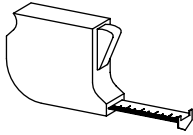
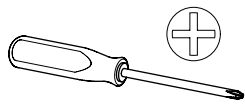


M2822



M2822

MZ110_04




Xmm	  	xxxx
393mm	max. 40kg	2000
426mm	max. 40kg	2001
538mm	max. 40kg	2011
563mm	max. 40kg	2002
650mm	max. 40kg	2003
809mm	max. 40kg	2004
873mm	max. 40kg	2006
890mm	max. 40kg	2010
1097mm	max. 40kg	2008

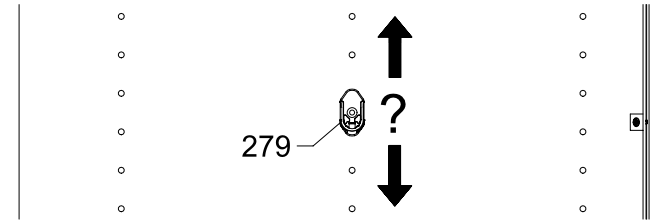
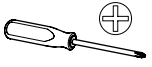
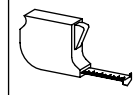


xxxx = 2000, 2001, 2002, 2003, 2004, 2006, 2008, 2010, 2011,

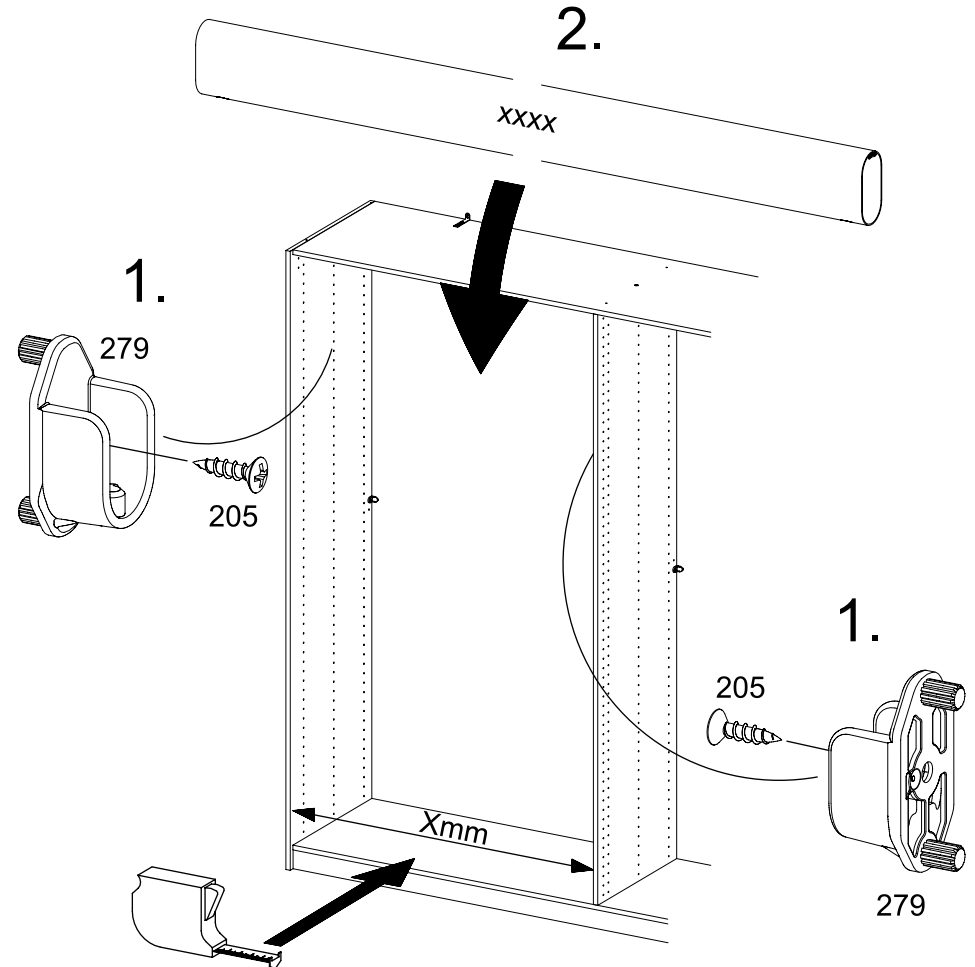
1

2x  3,5x15

2x 

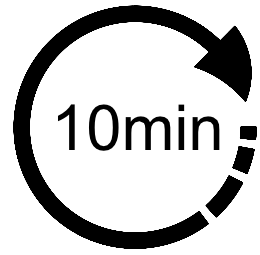
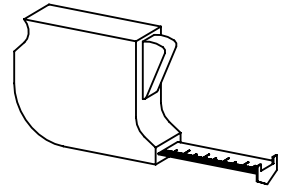


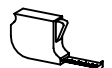
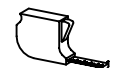



2.

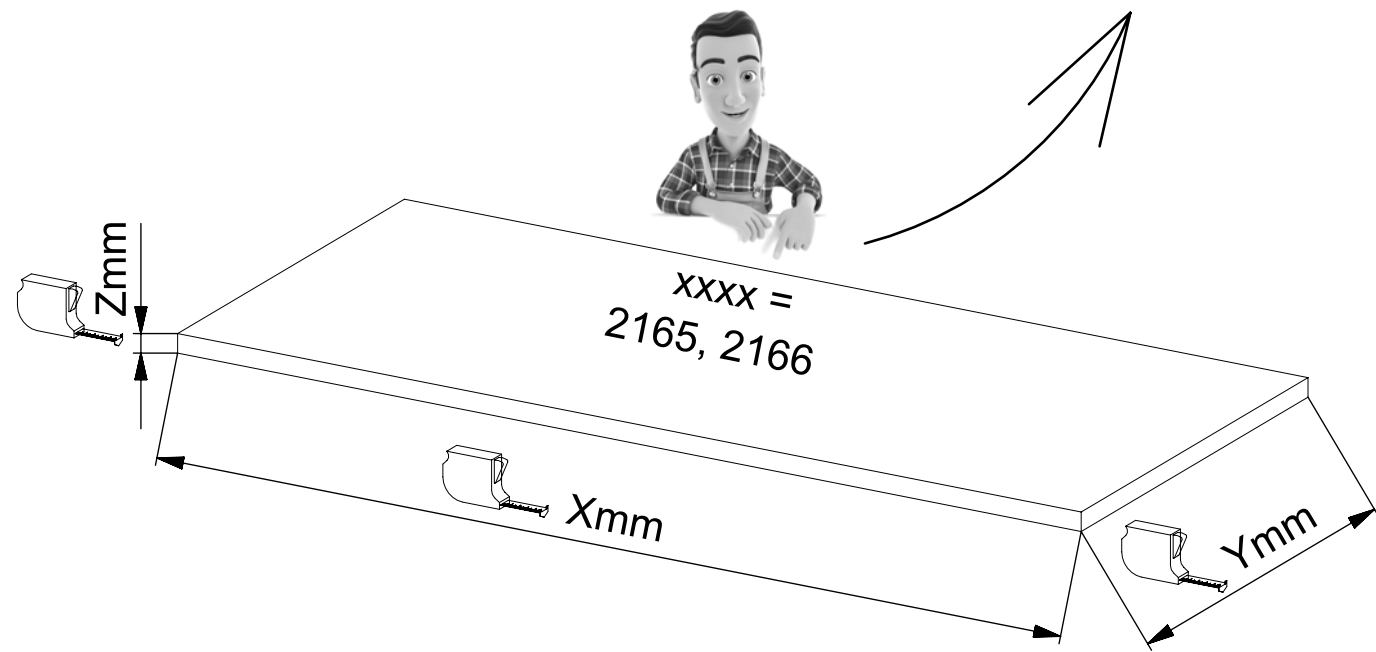


MZ256_01

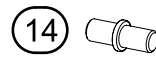
rauch

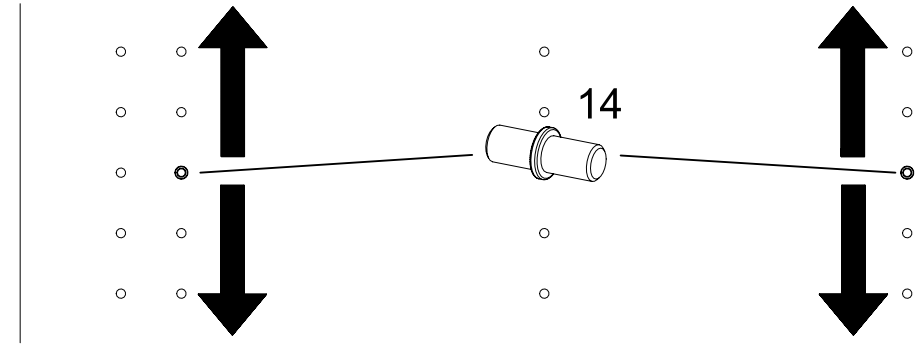
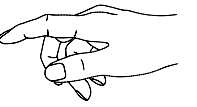


 Xmm	 Ymm	 Zmm	 	XXXX
450mm	450mm	16mm	max. 10kg	2165
898mm	450mm	16mm	max. 10kg	2166



1

4x  14



2.

