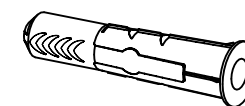
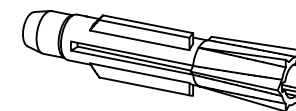
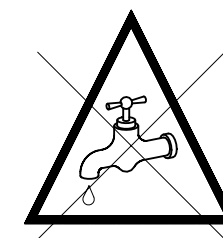
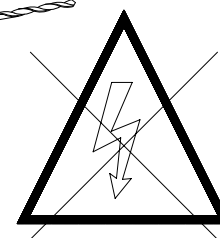
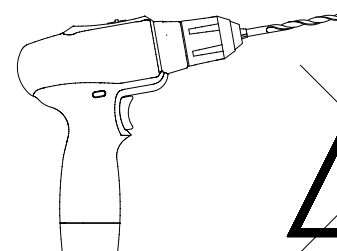
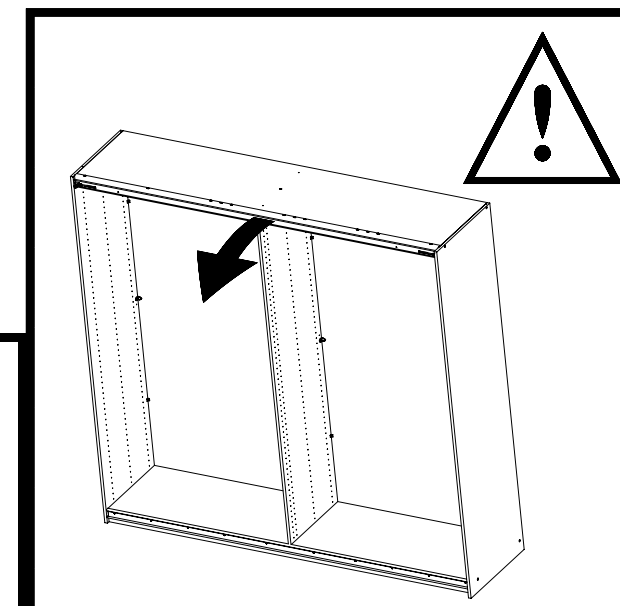
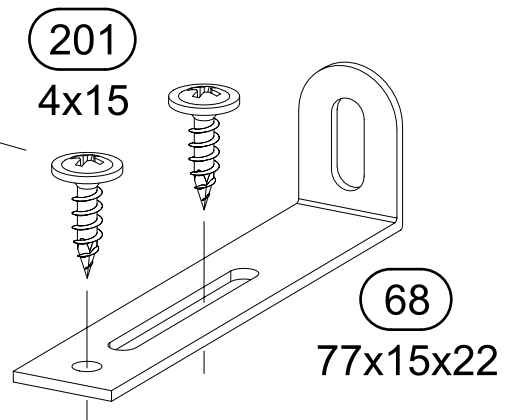
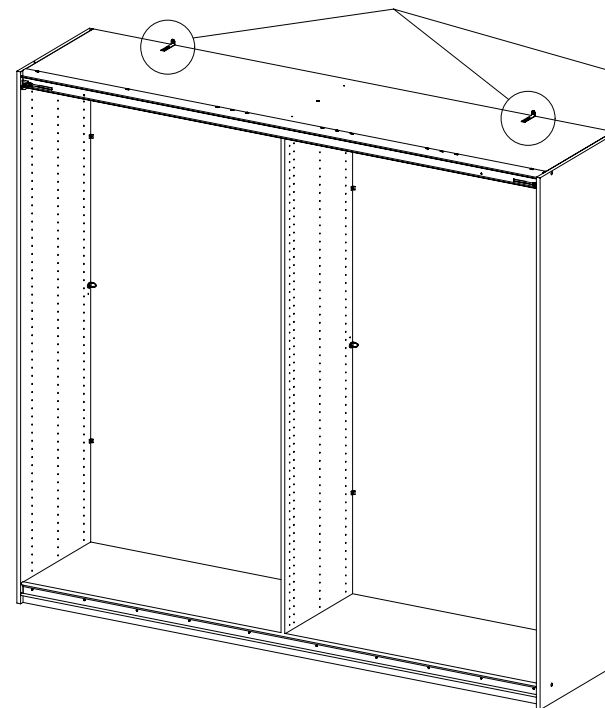
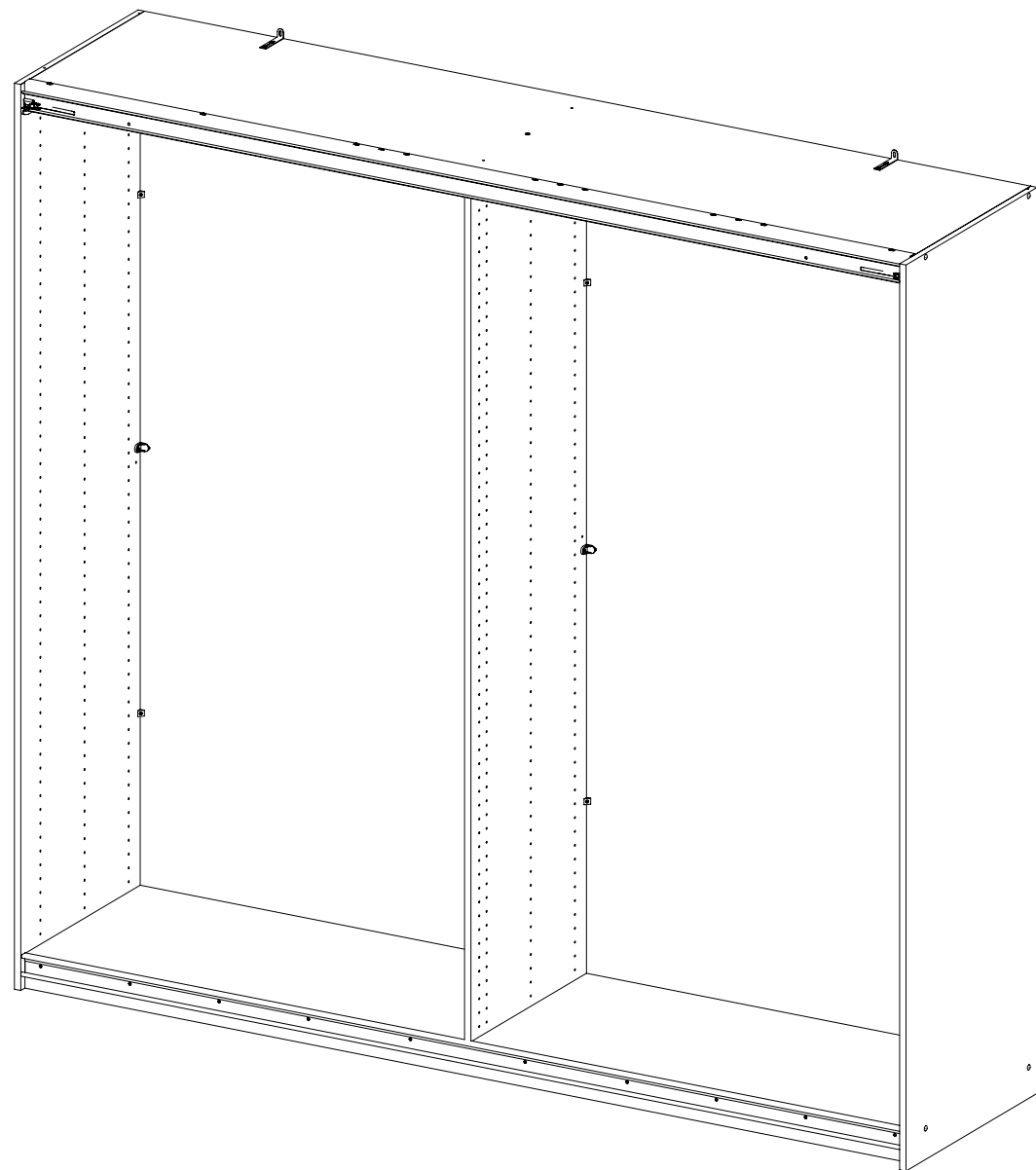
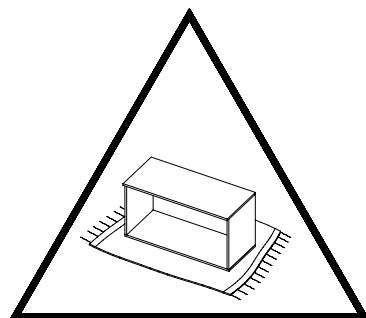
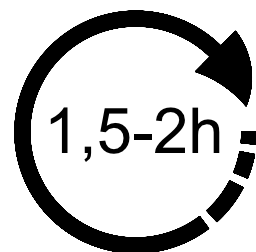
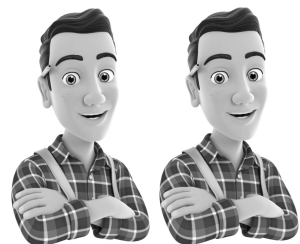
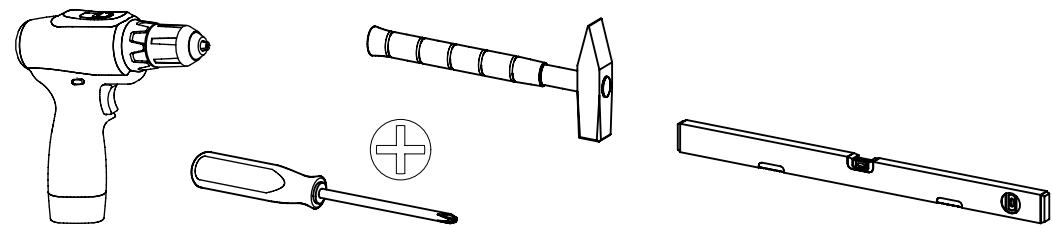
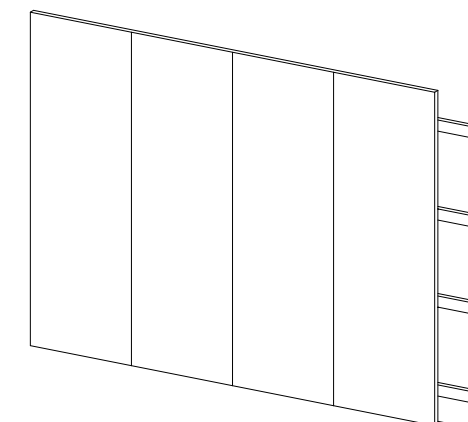
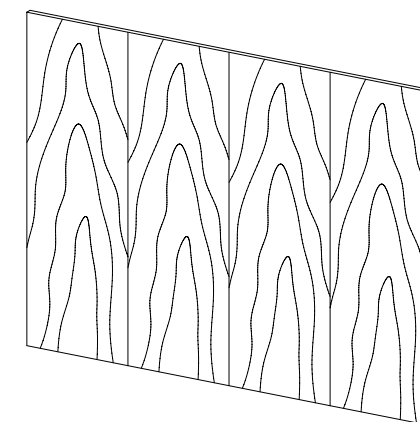
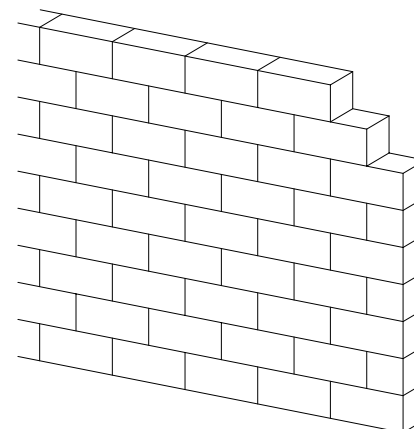
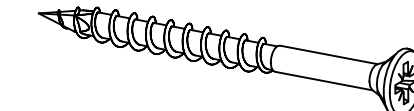
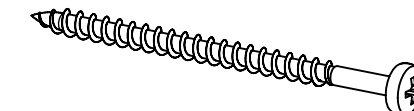
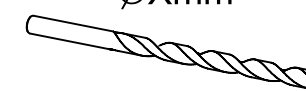


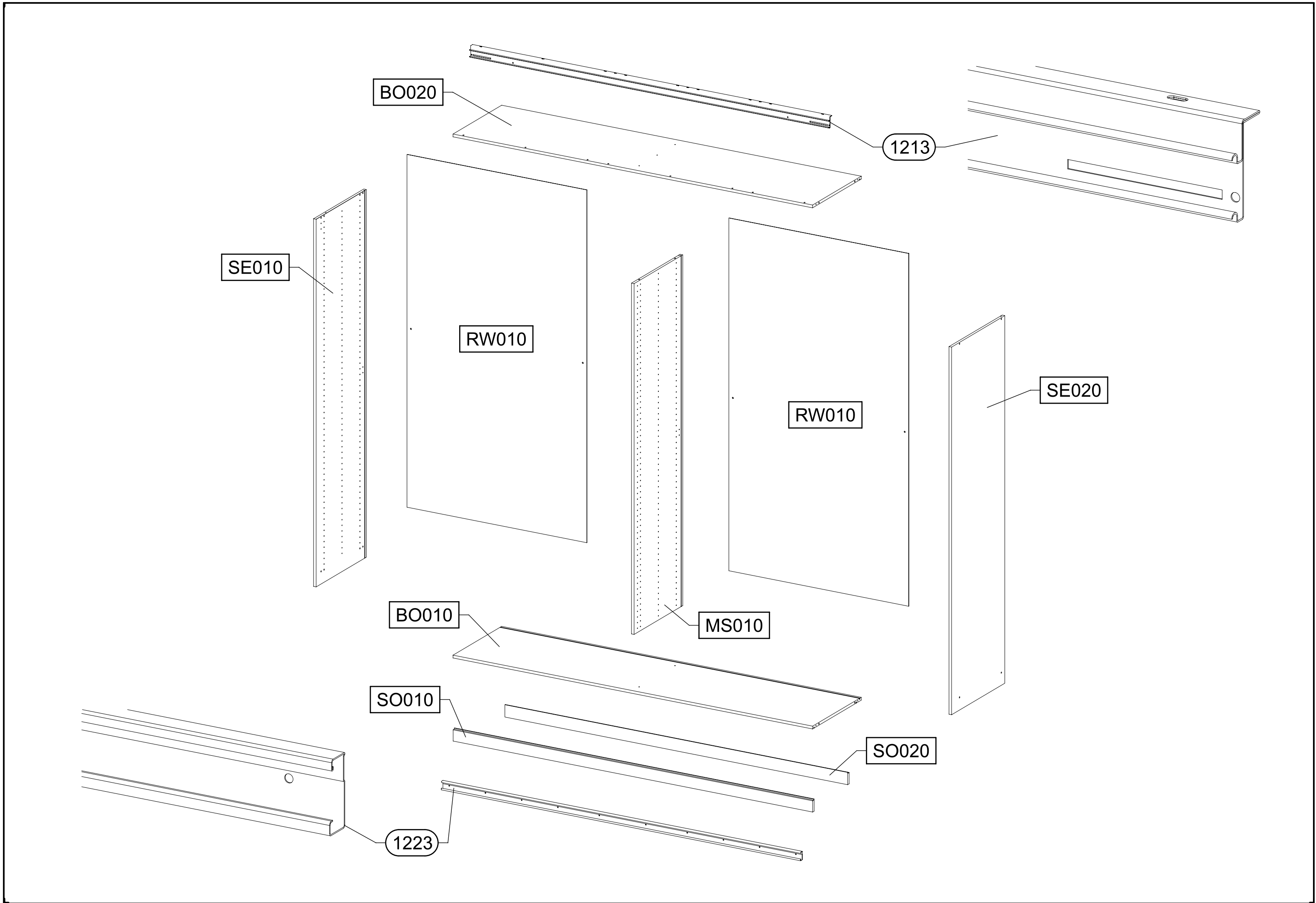
M2575_04

rauch



ØXmm





<p>4x</p> <p>1</p>		<p>2x</p> <p>11</p>		<p>2x</p> <p>55x16x6,2</p> <p>12</p>	
<p>8x</p> <p>8x30</p> <p>18</p>		<p>8x</p> <p>45</p>		<p>14x</p> <p>3,5x15</p> <p>205</p>	
<p>8x</p> <p>6,3x50</p> <p>233</p>		<p>8x</p> <p>271</p>		<p>1x</p> <p>4,5x50</p> <p>296</p>	
<p>8x</p> <p>M4</p> <p>580</p>		<p>4x</p> <p>6,5x12</p> <p>779</p>		<p>4x</p> <p>807</p>	
<p>1x</p> <p>1165</p>		<p>1x</p> <p>1166</p>		<p>2x</p> <p>1167</p>	
<p>2x</p> <p>1168</p>		<p>2x</p> <p>1277</p>		<p>2x</p> <p>M5x12</p> <p>1279</p>	
<p>2x</p> <p>1280</p>				<p>2x</p> <p>M5</p> <p>1288</p>	

1

11

BO010

SO010

SO020

SO010

SO020

SO010

SO020

BO010

BO010

SO010

SO020

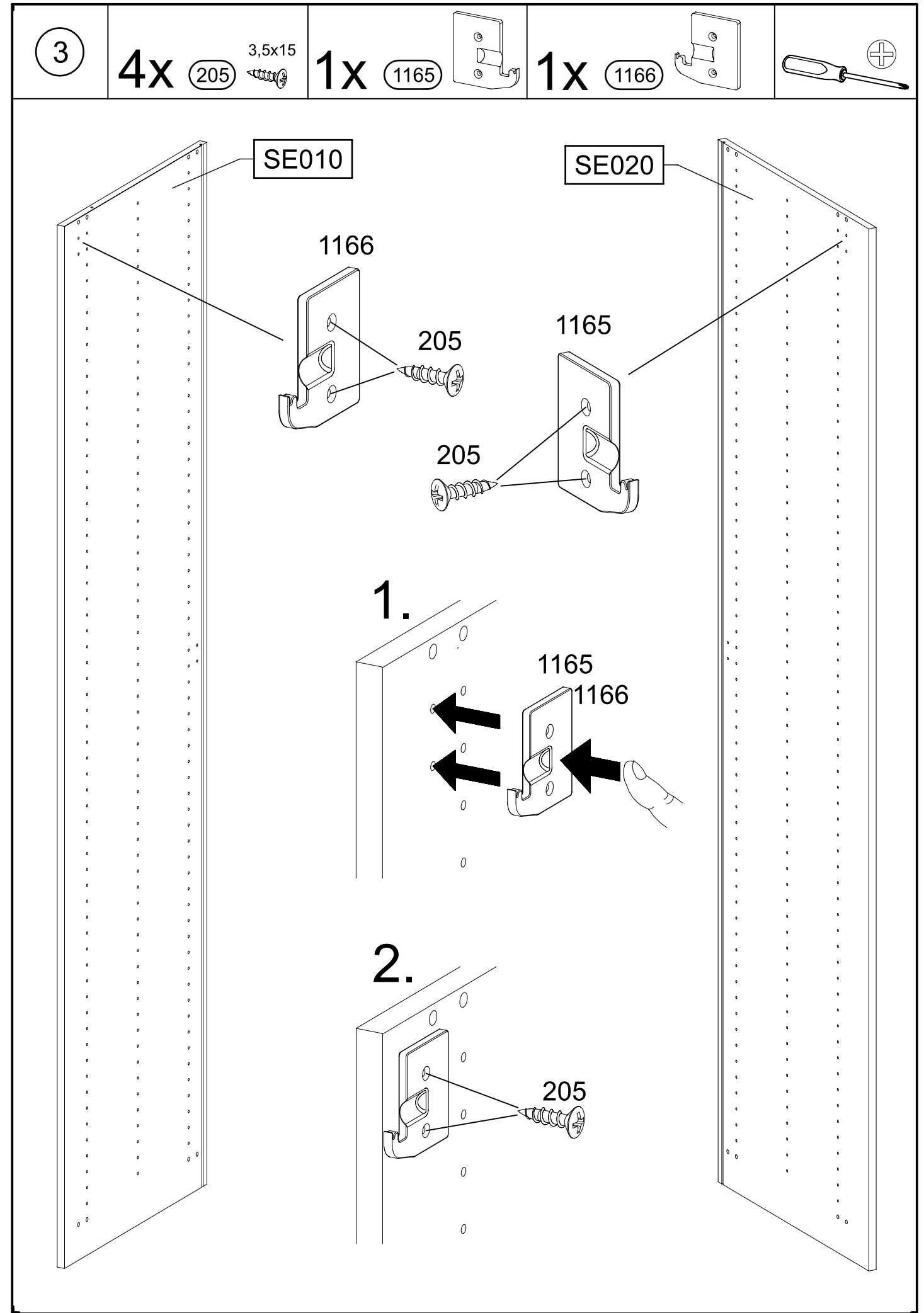
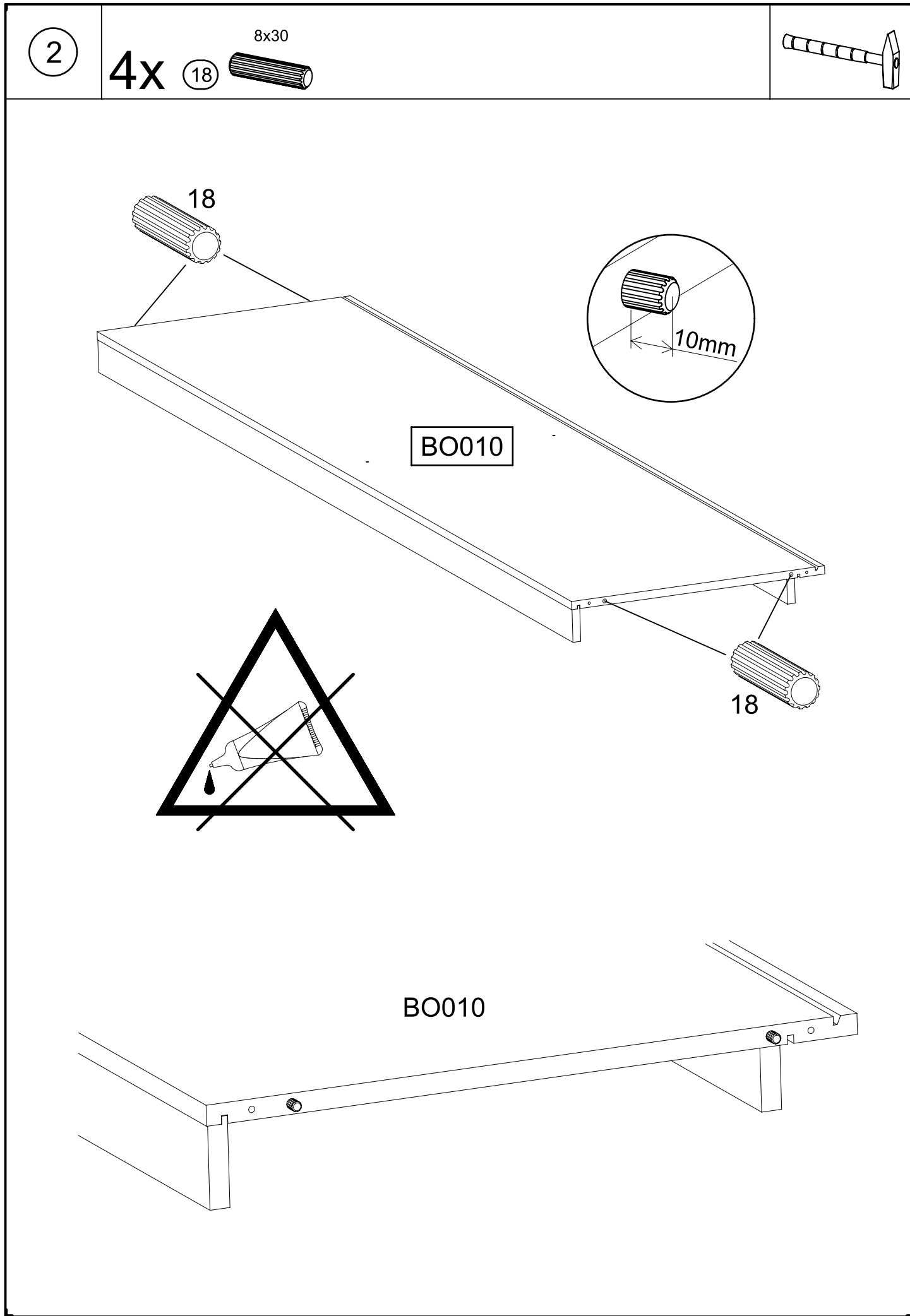
BO010

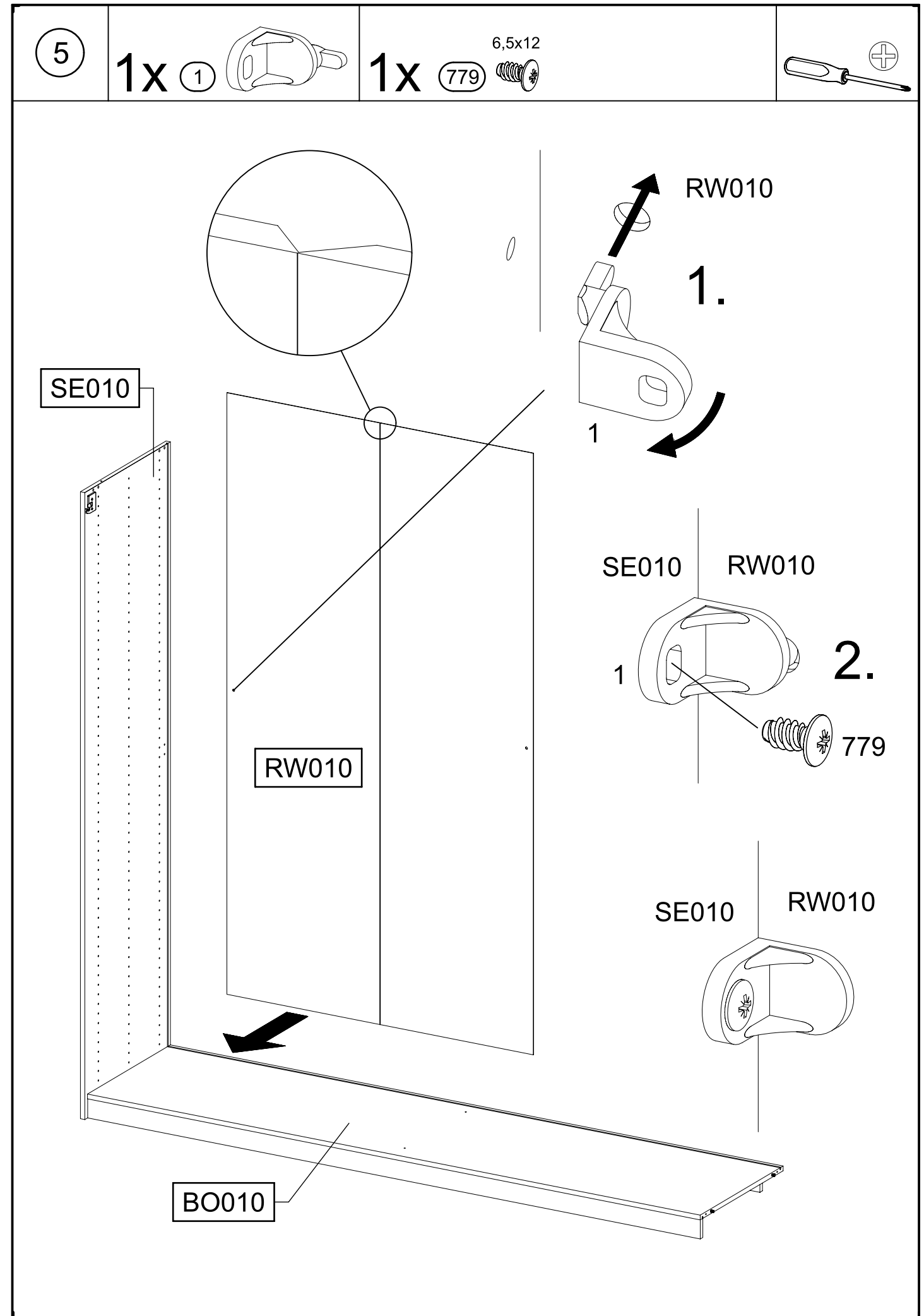
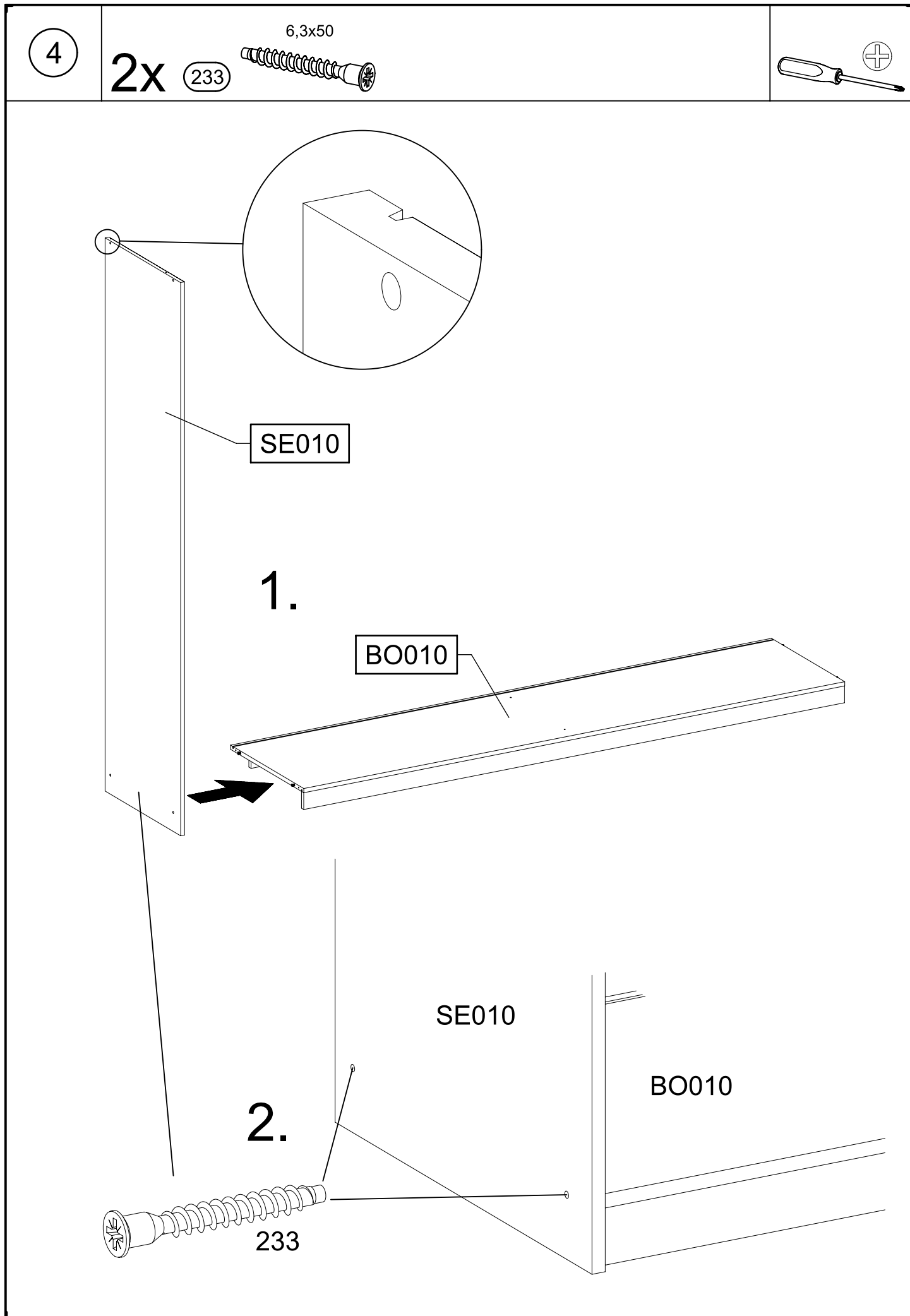
BO010

SO010

SO020

20 Min

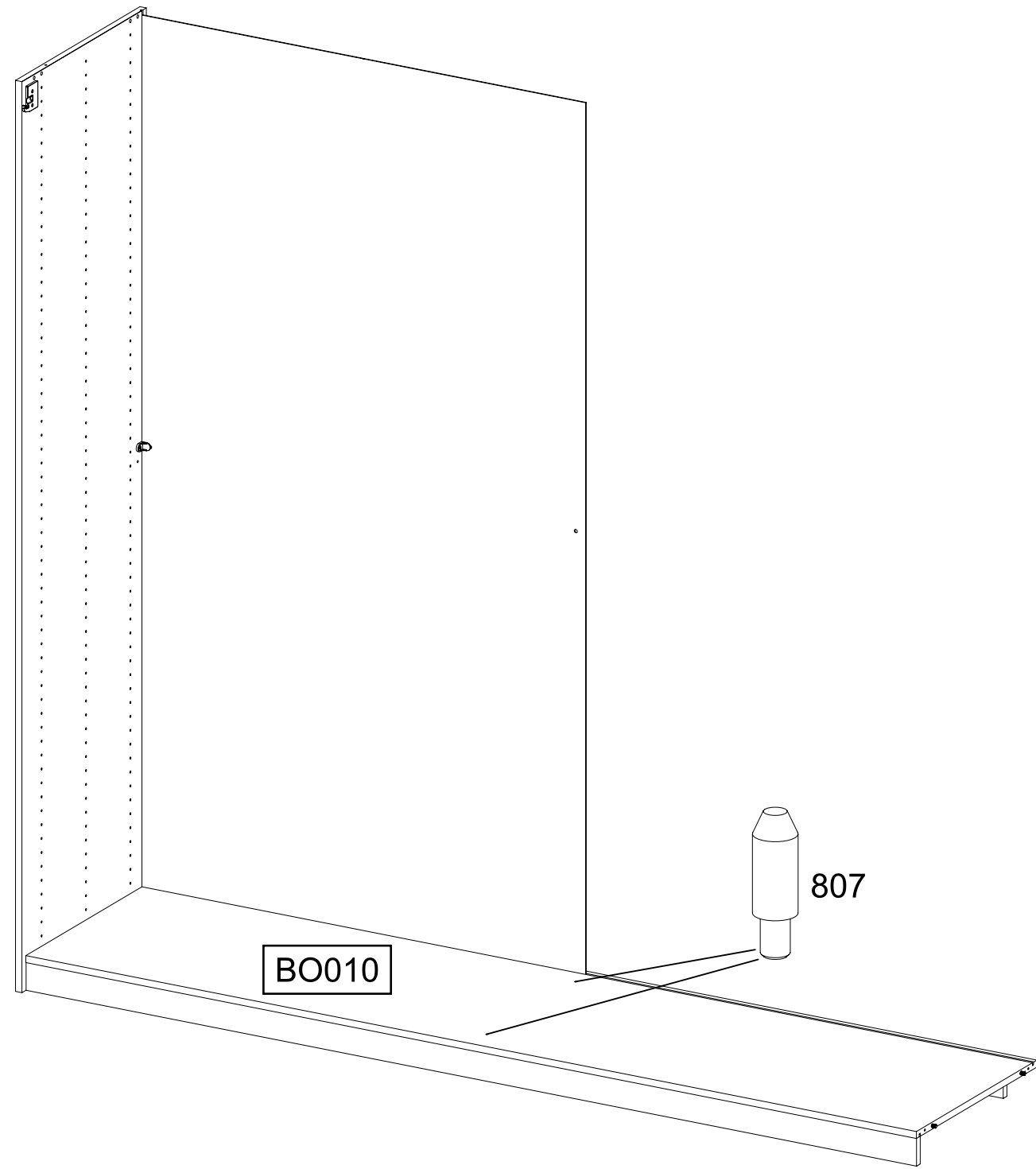
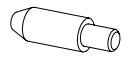




6

2x

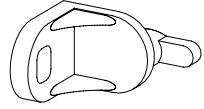
807



7

1x

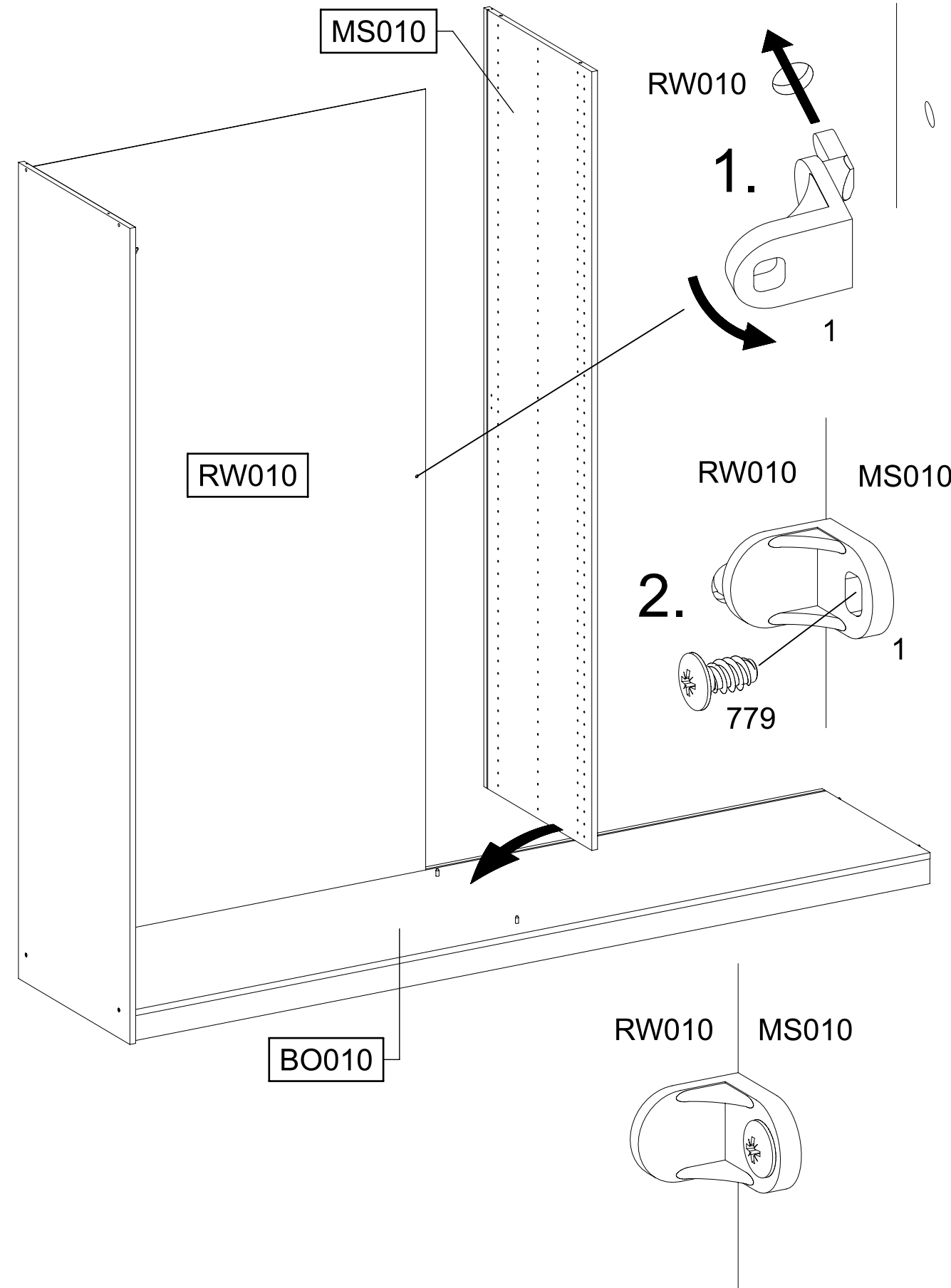
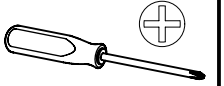
1

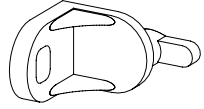

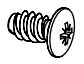
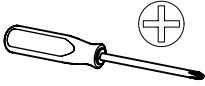


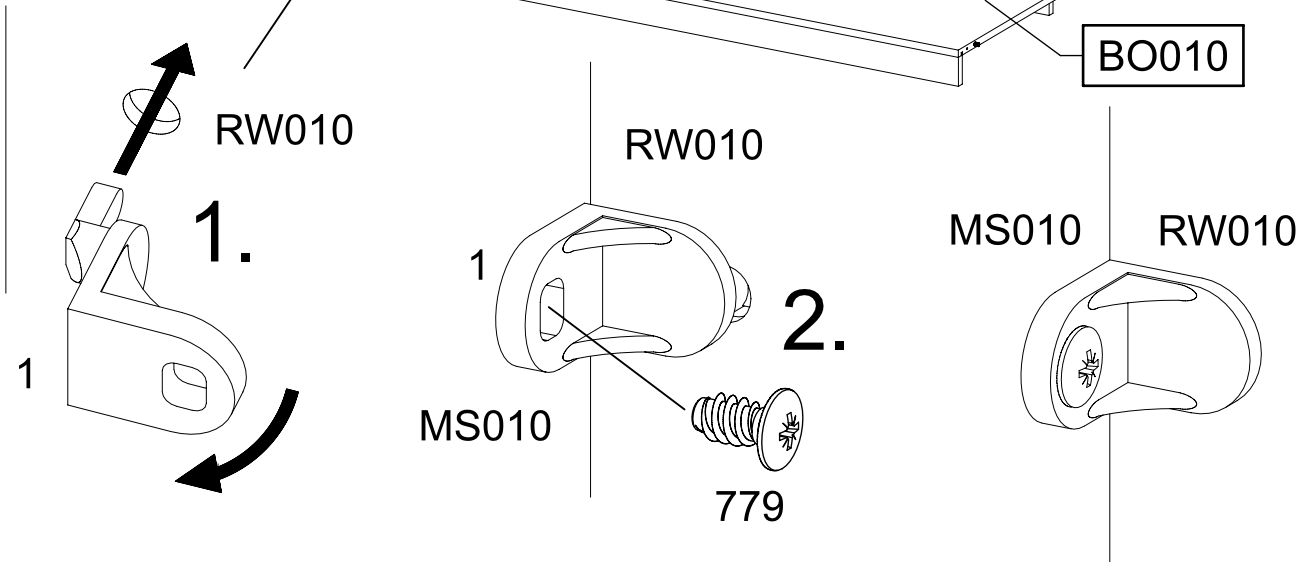
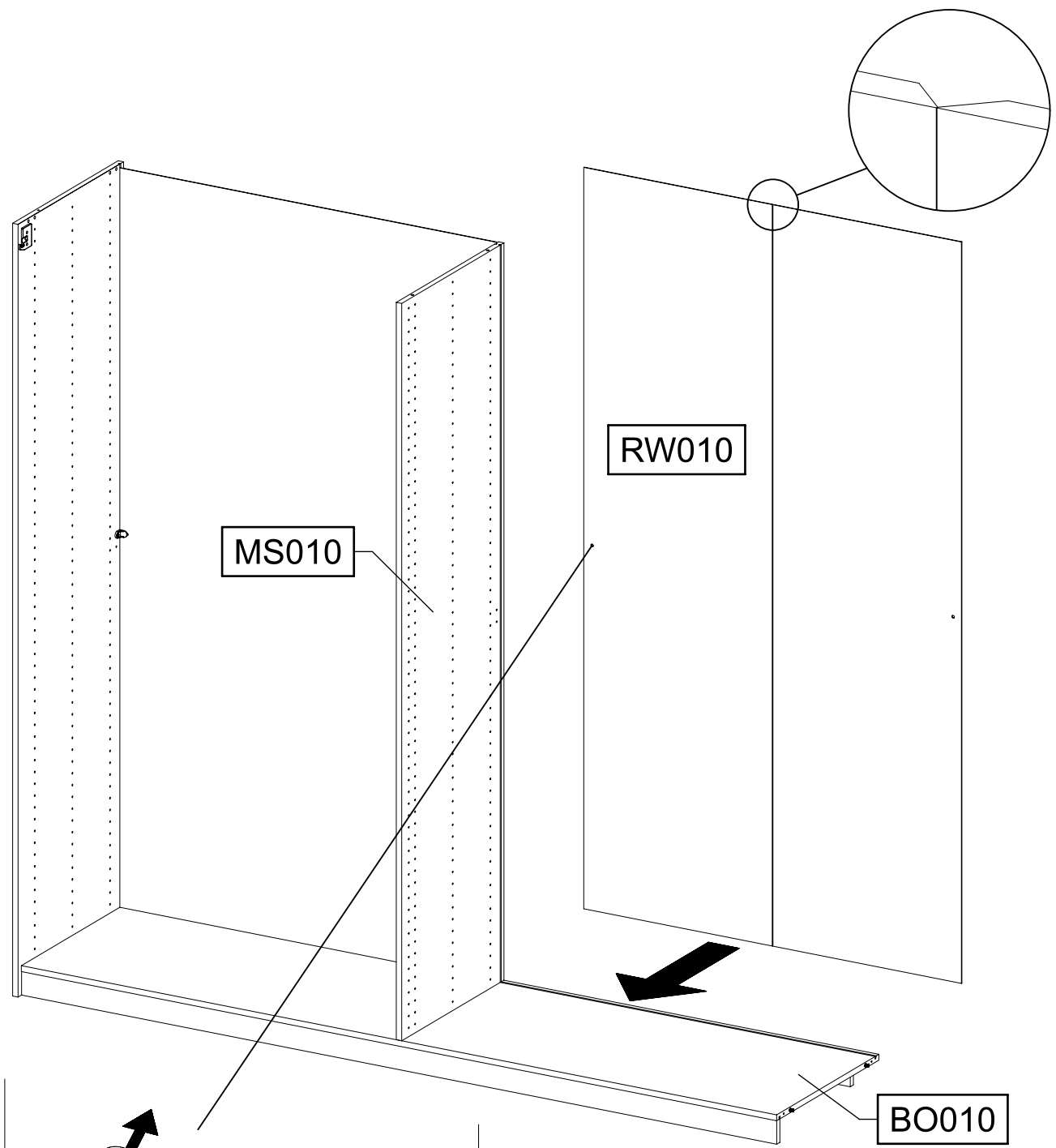
1x



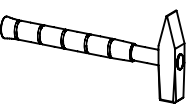
779

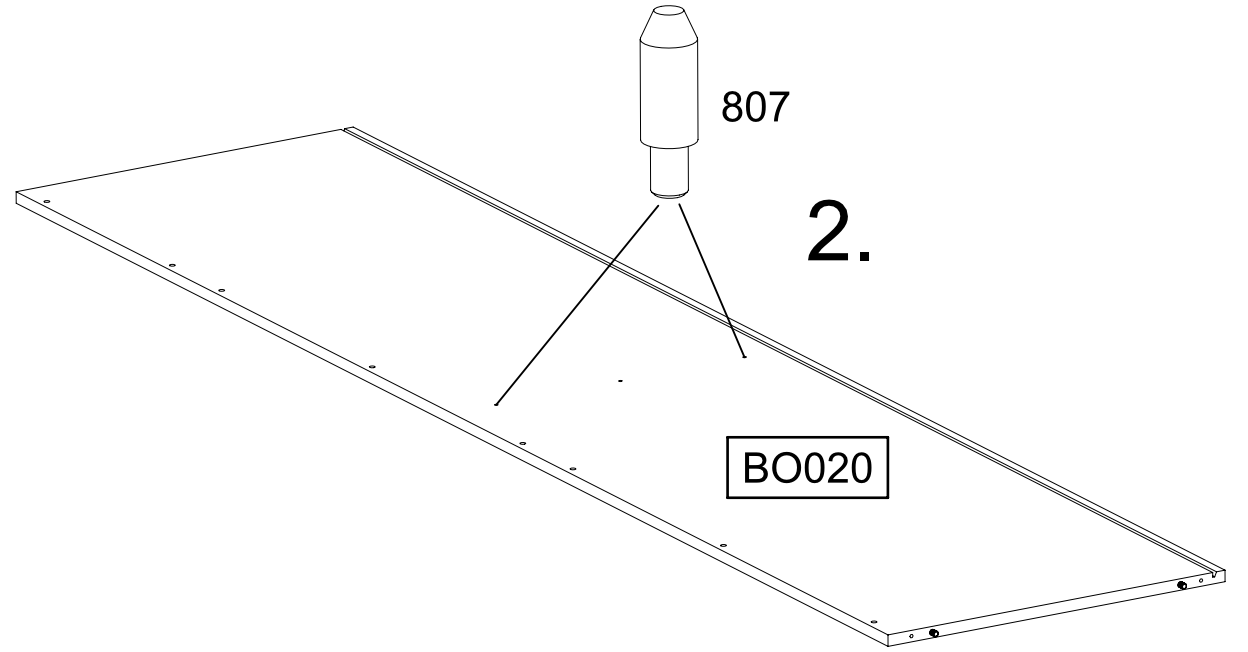
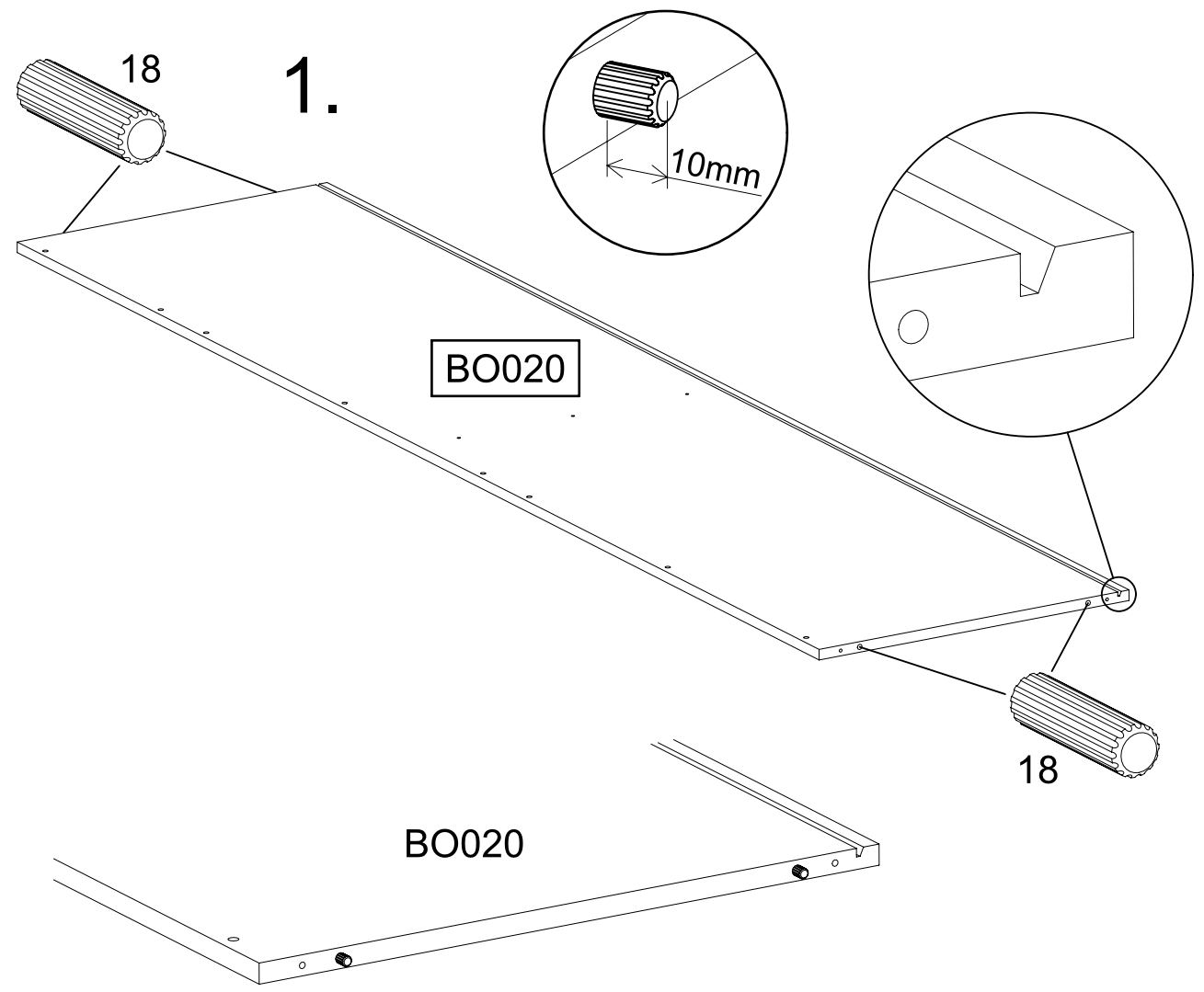
6,5x12

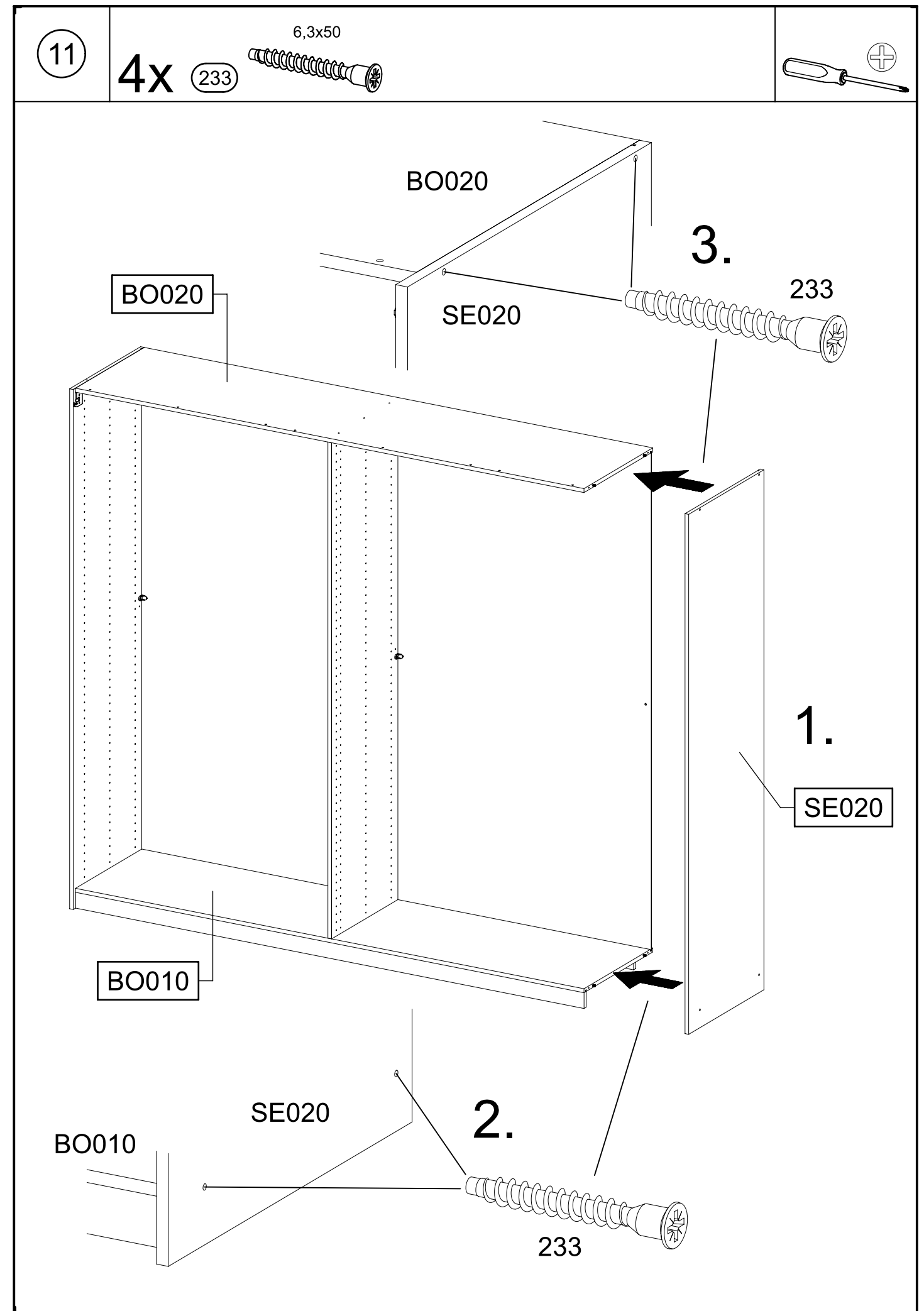
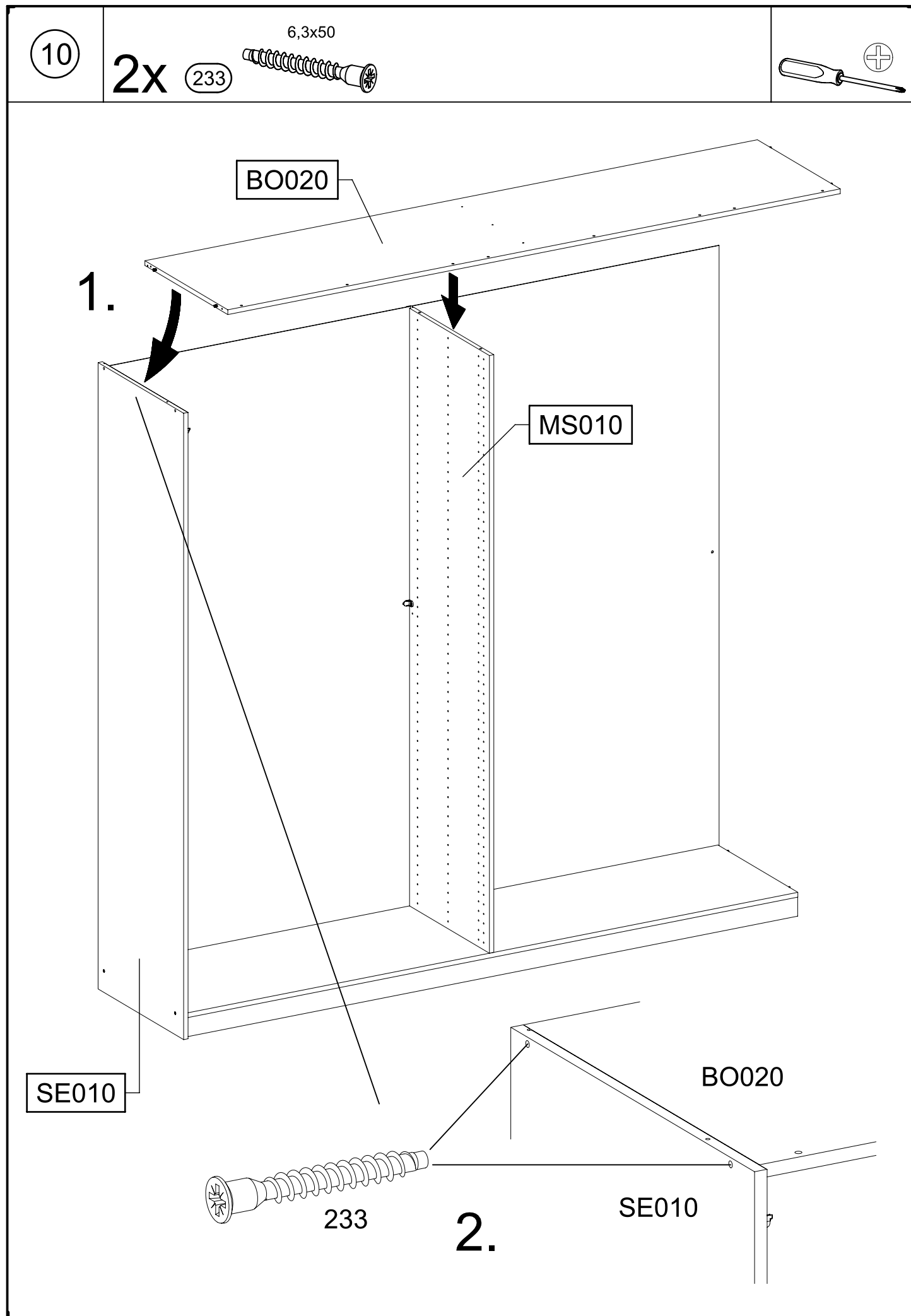


- 8
- 1x 1 
- 1x  6,5x12 
- 



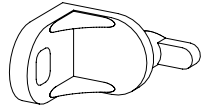
- 9
- 4x  8x30
- 2x 
- 





12

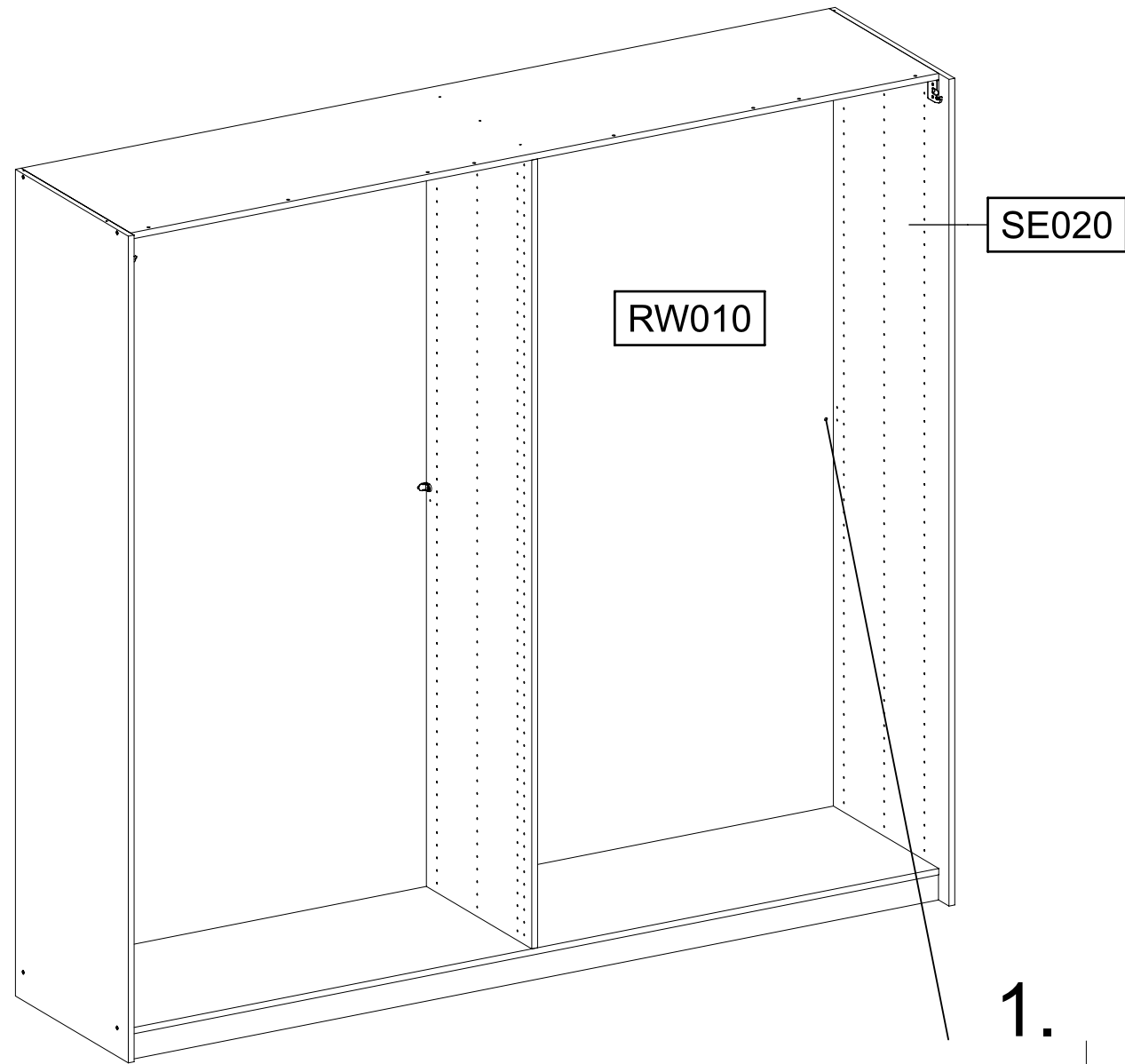
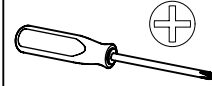
1x 1



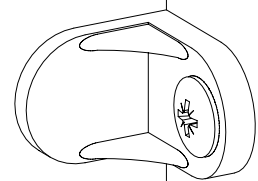
1x

779

6,5x12



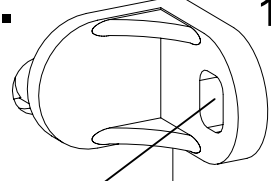
RW010



SE020

2.

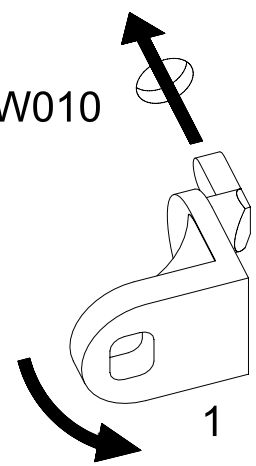
RW010



SE020

779

RW010

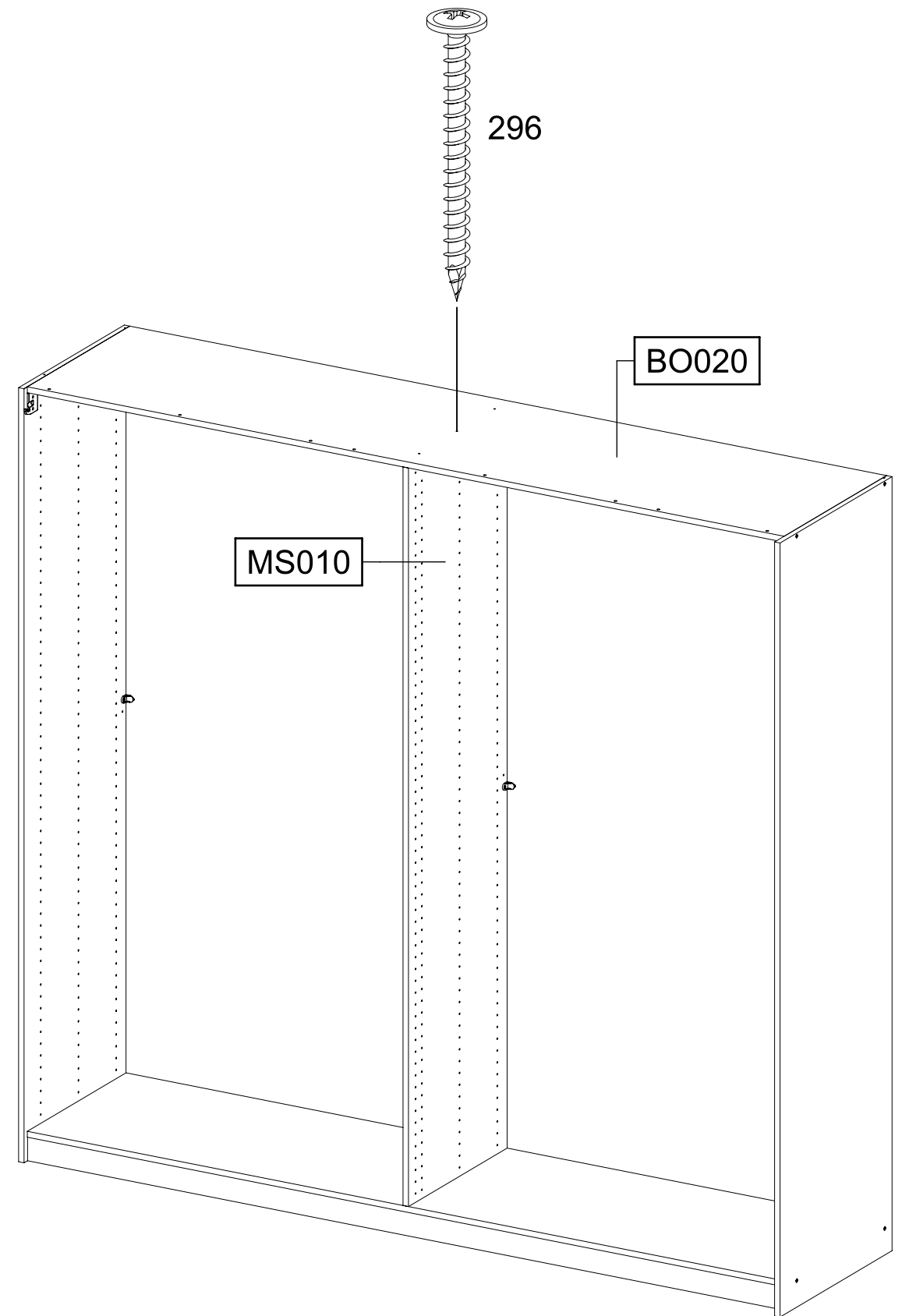
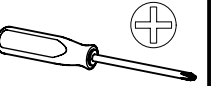
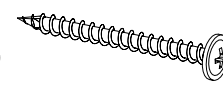


1.

13

1x 296

4,5x50



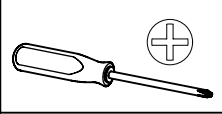
296

BO020

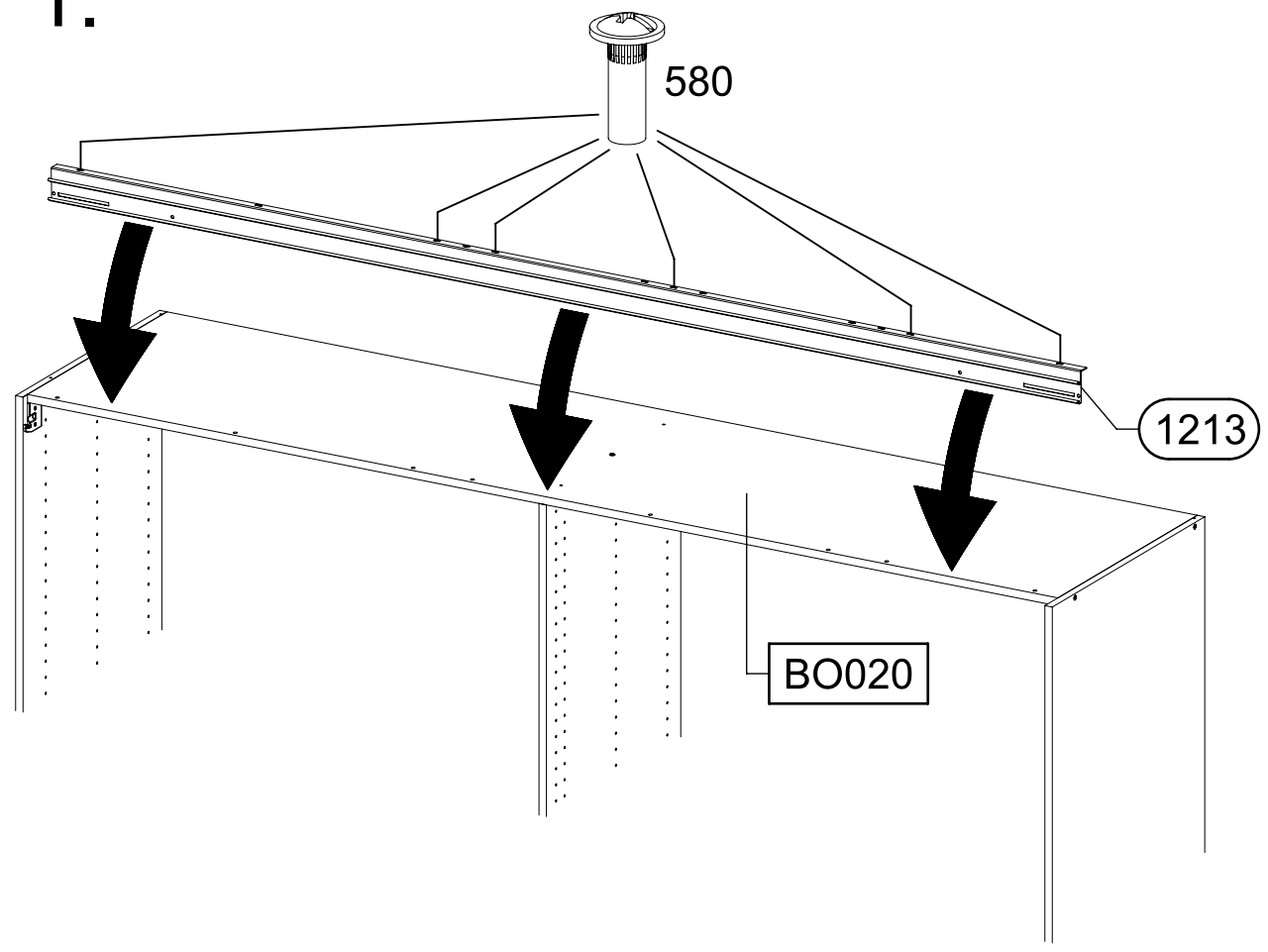
MS010

14

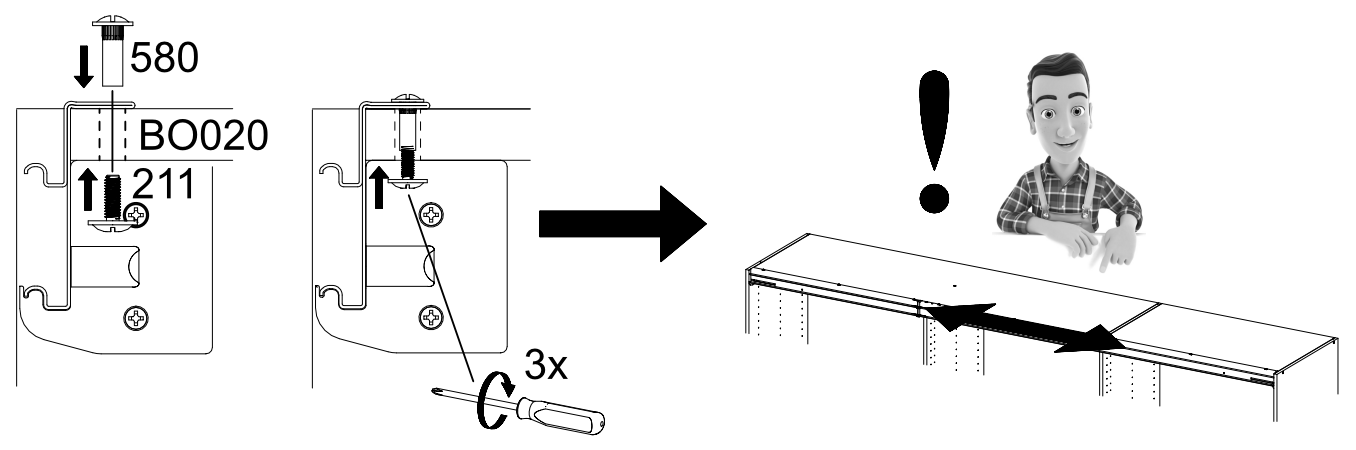
6x ^{M4x12} (211) 6x ^{M4} (580)



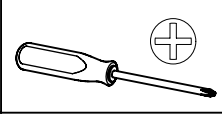
1.



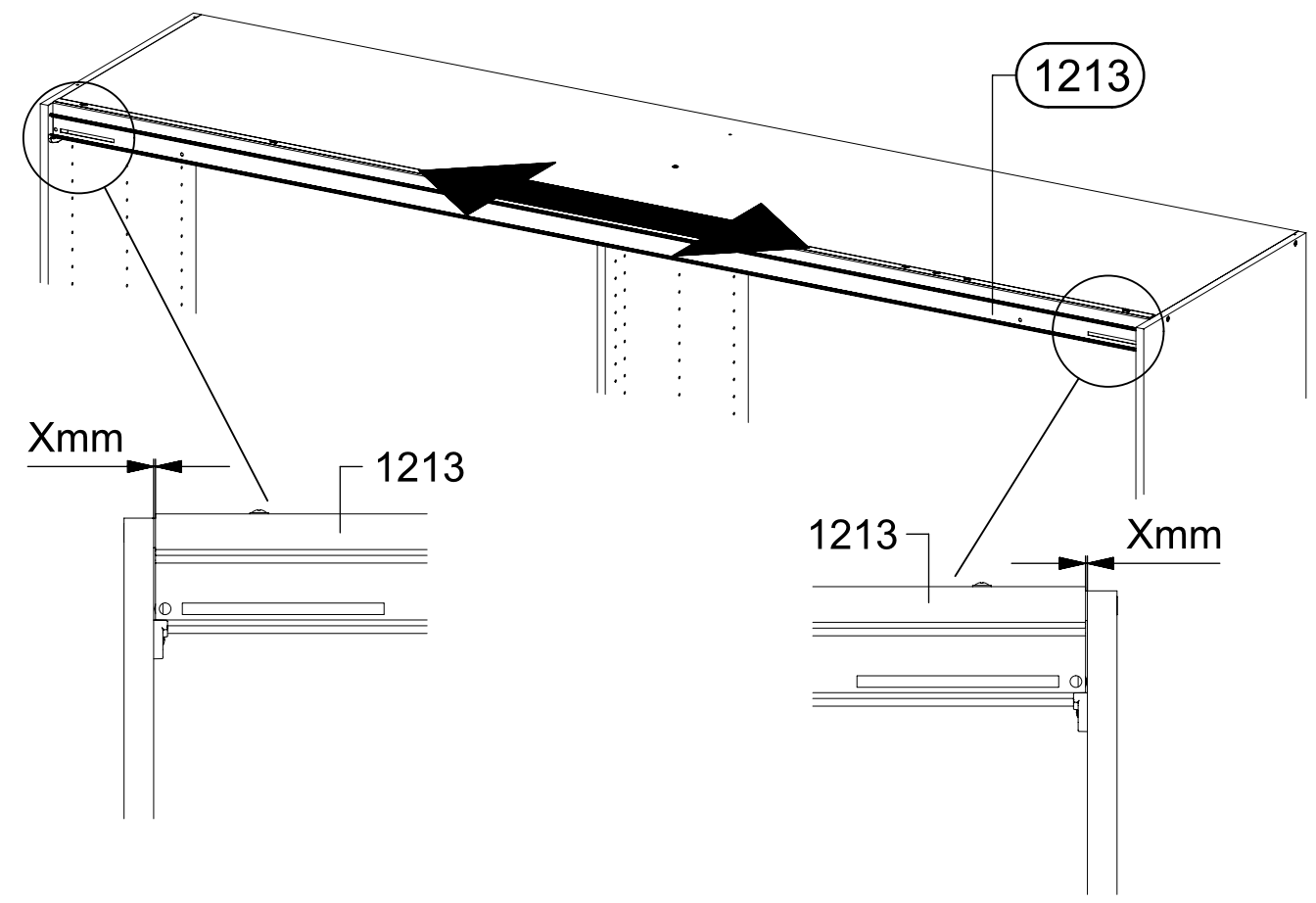
2.



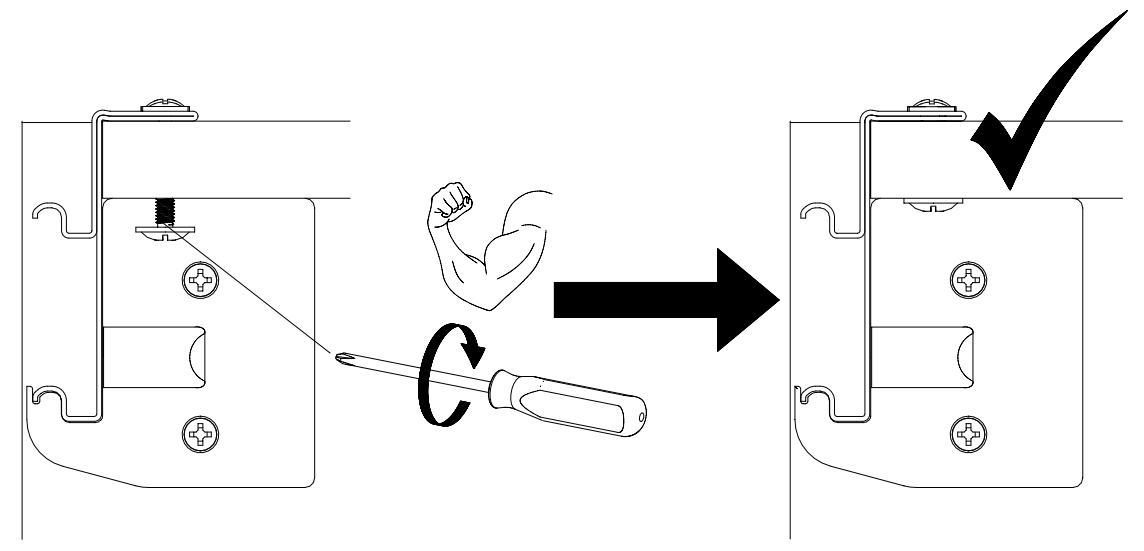
15



1.



2.

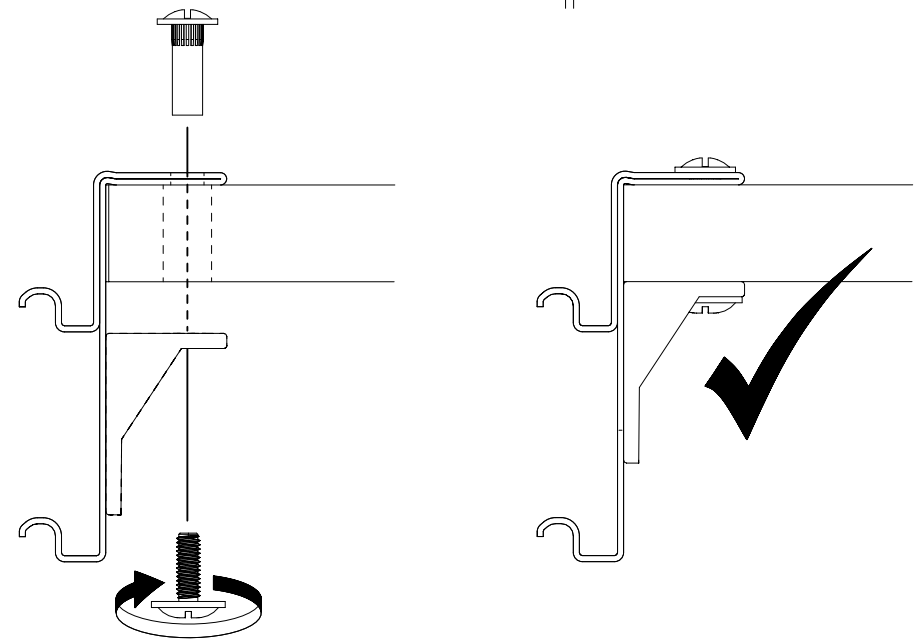
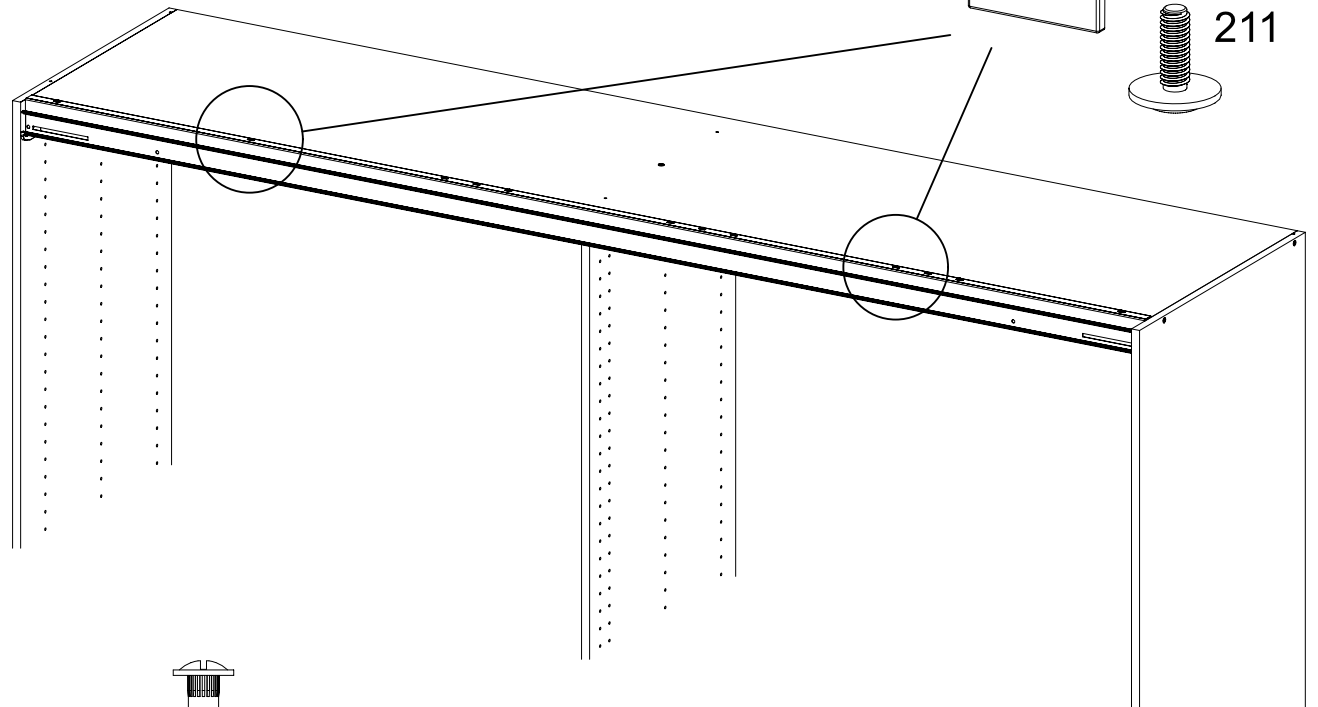
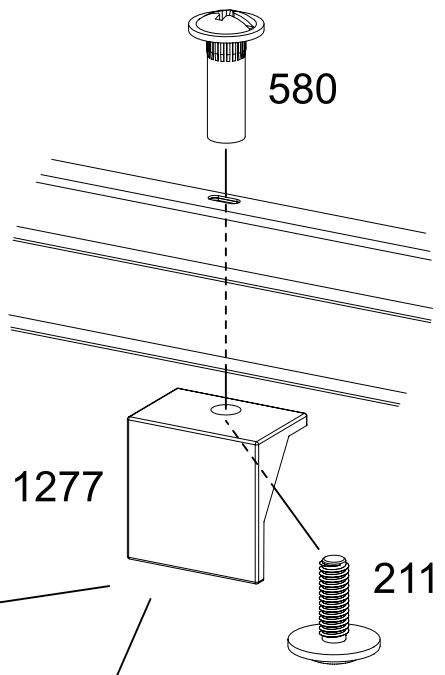
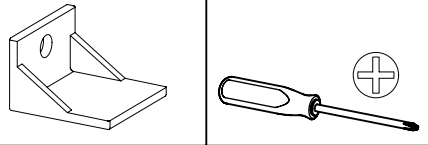


16

2x (211) M4x12

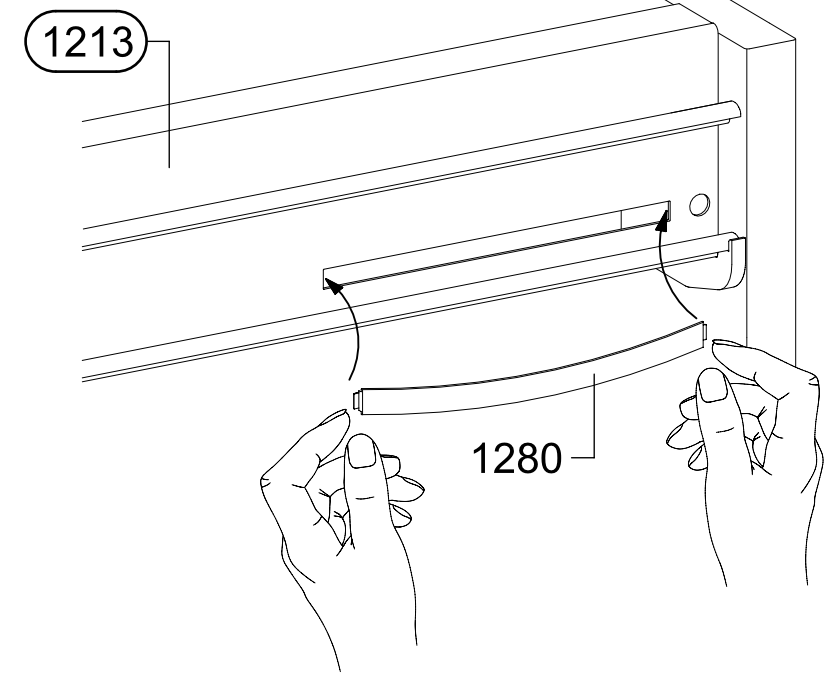
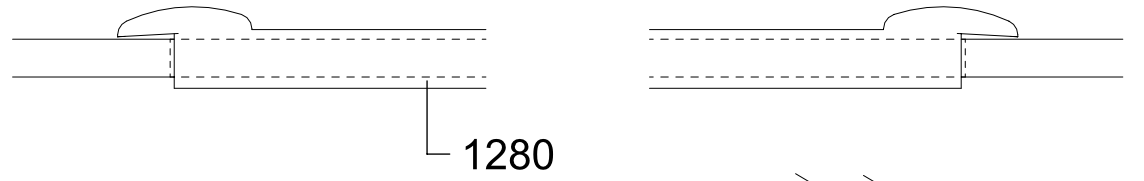
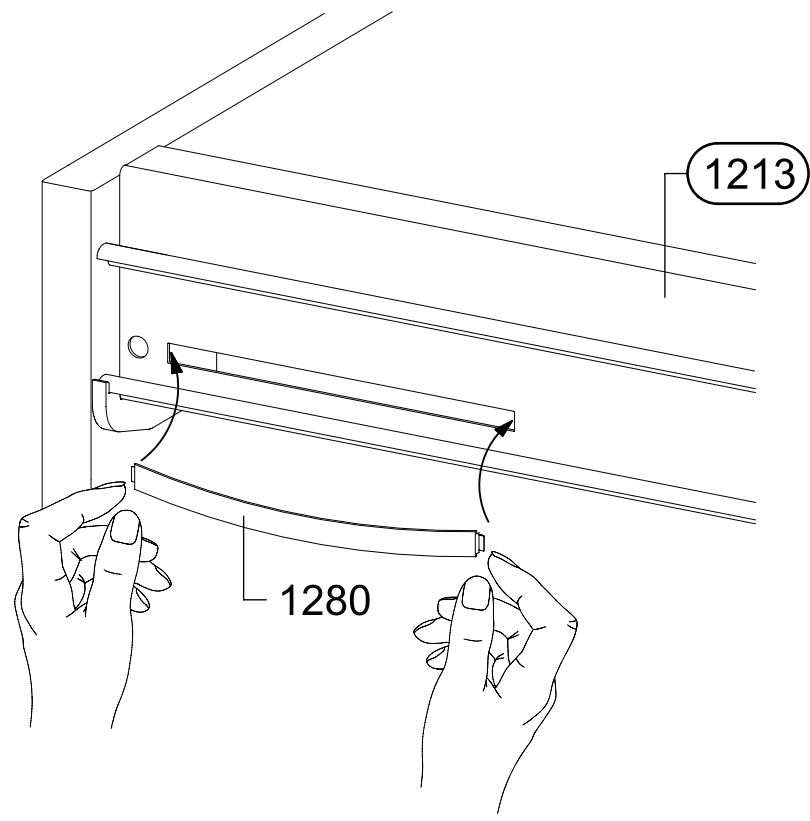
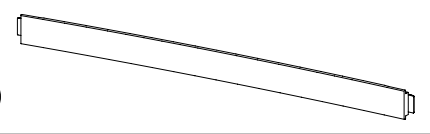
2x (580) M4

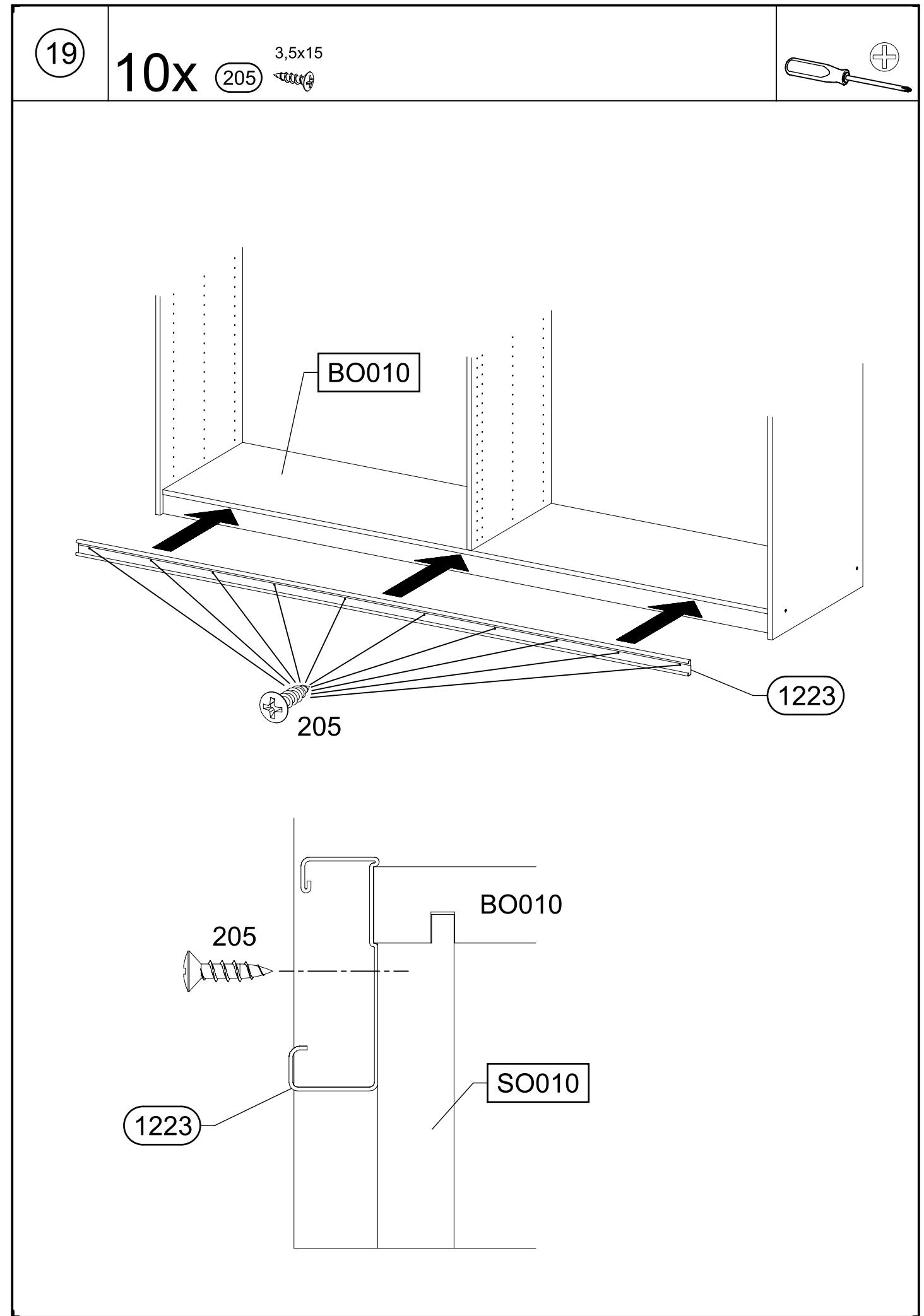
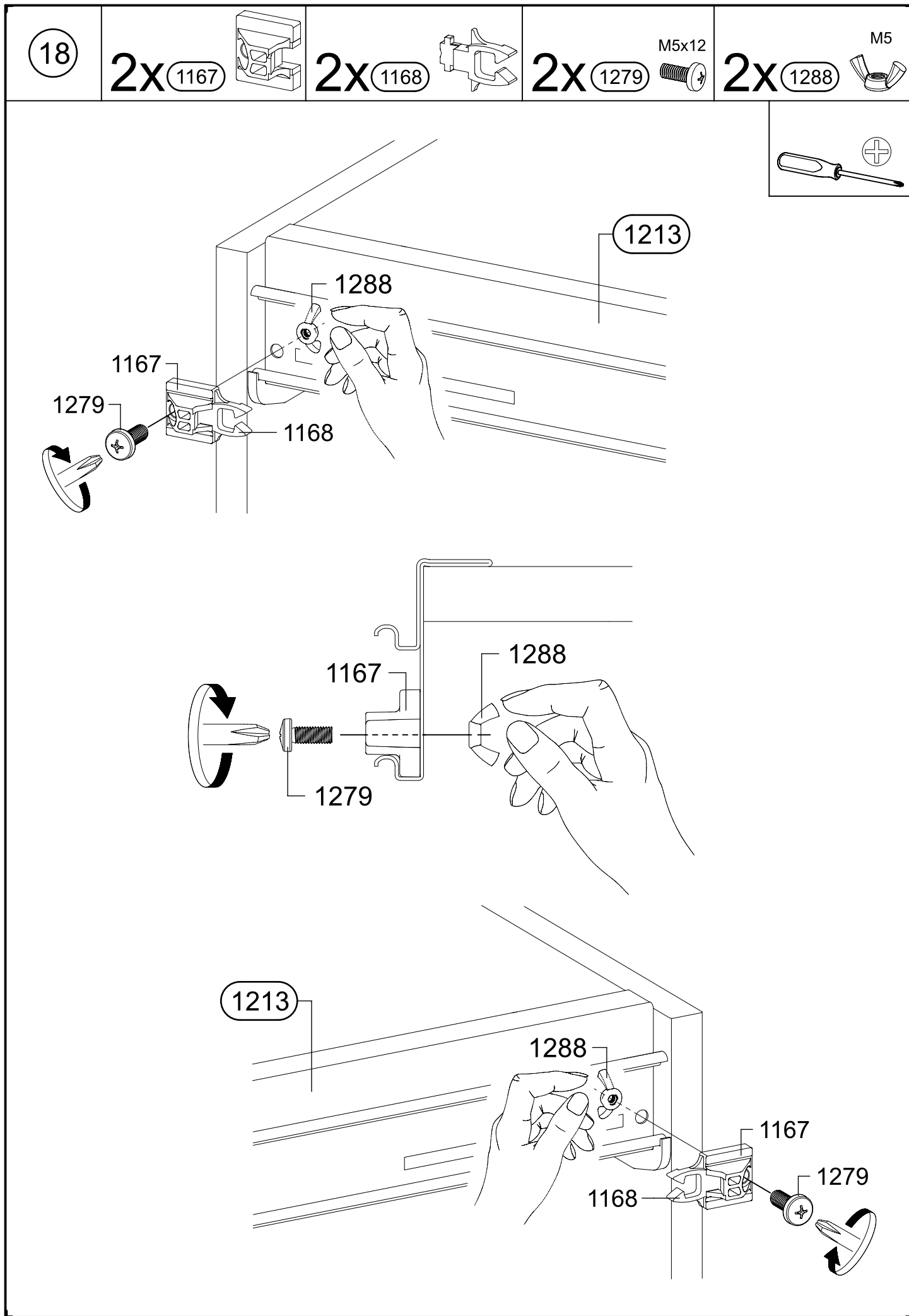
2x (1277)



17

2x (1280)



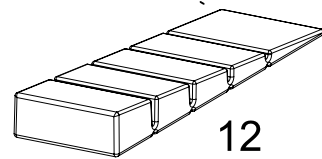
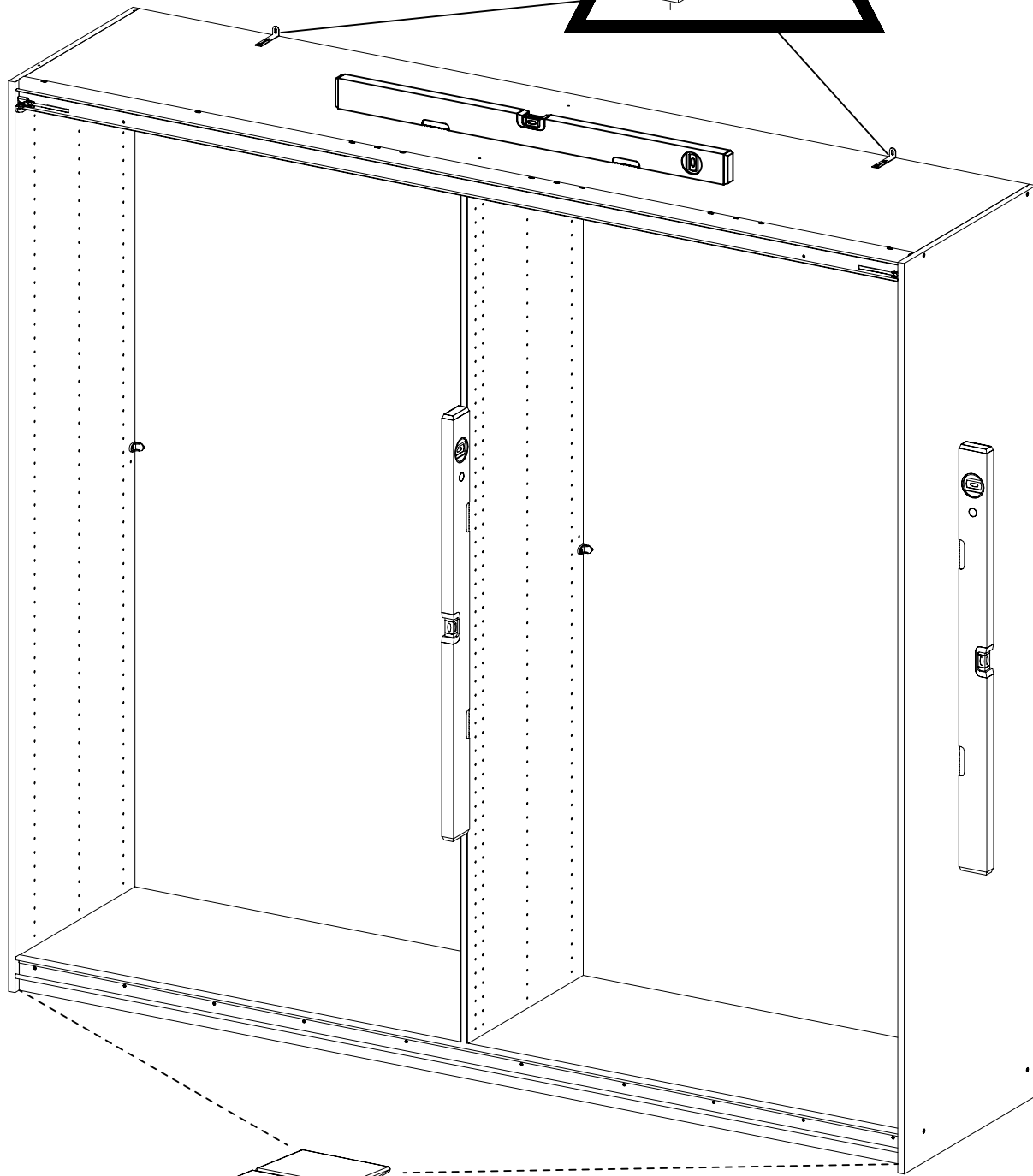
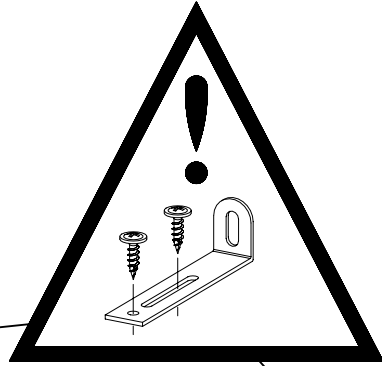
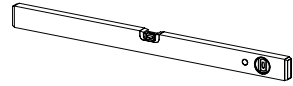
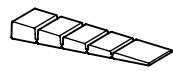


20

2x

12

55x16x6,2

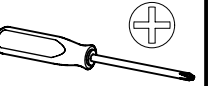
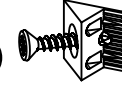


12

21

8x

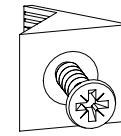
45



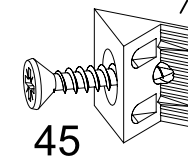
SE010

MS010

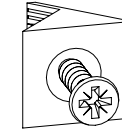
SE020



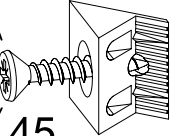
45



45

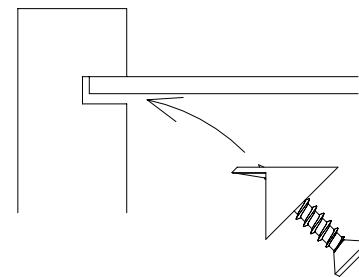


45

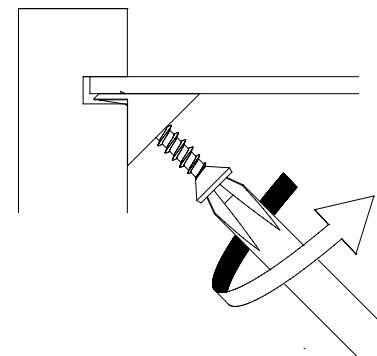


45

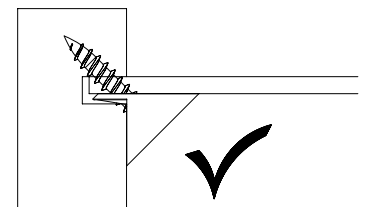
1.



2.

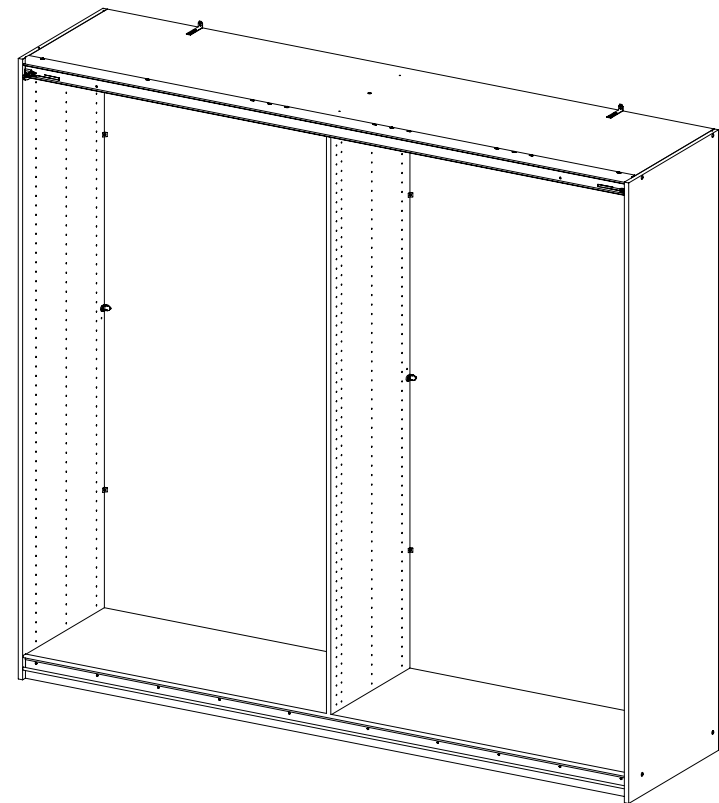
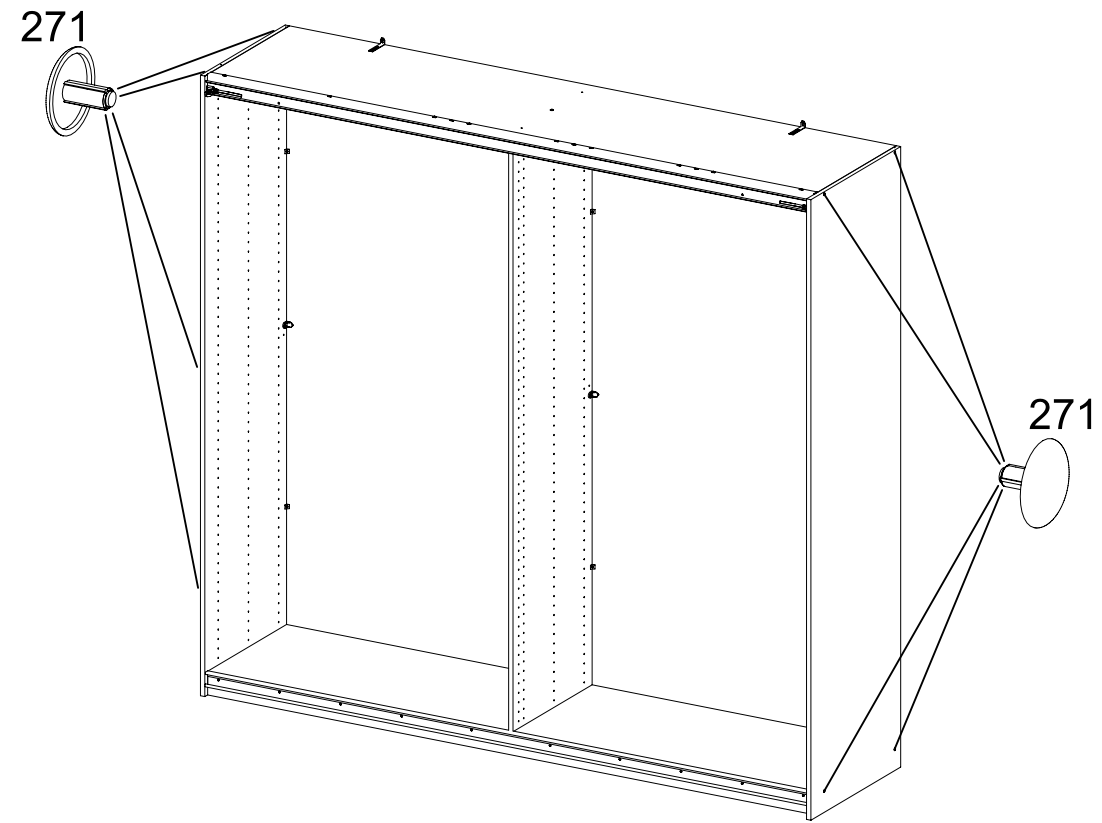


3.



22

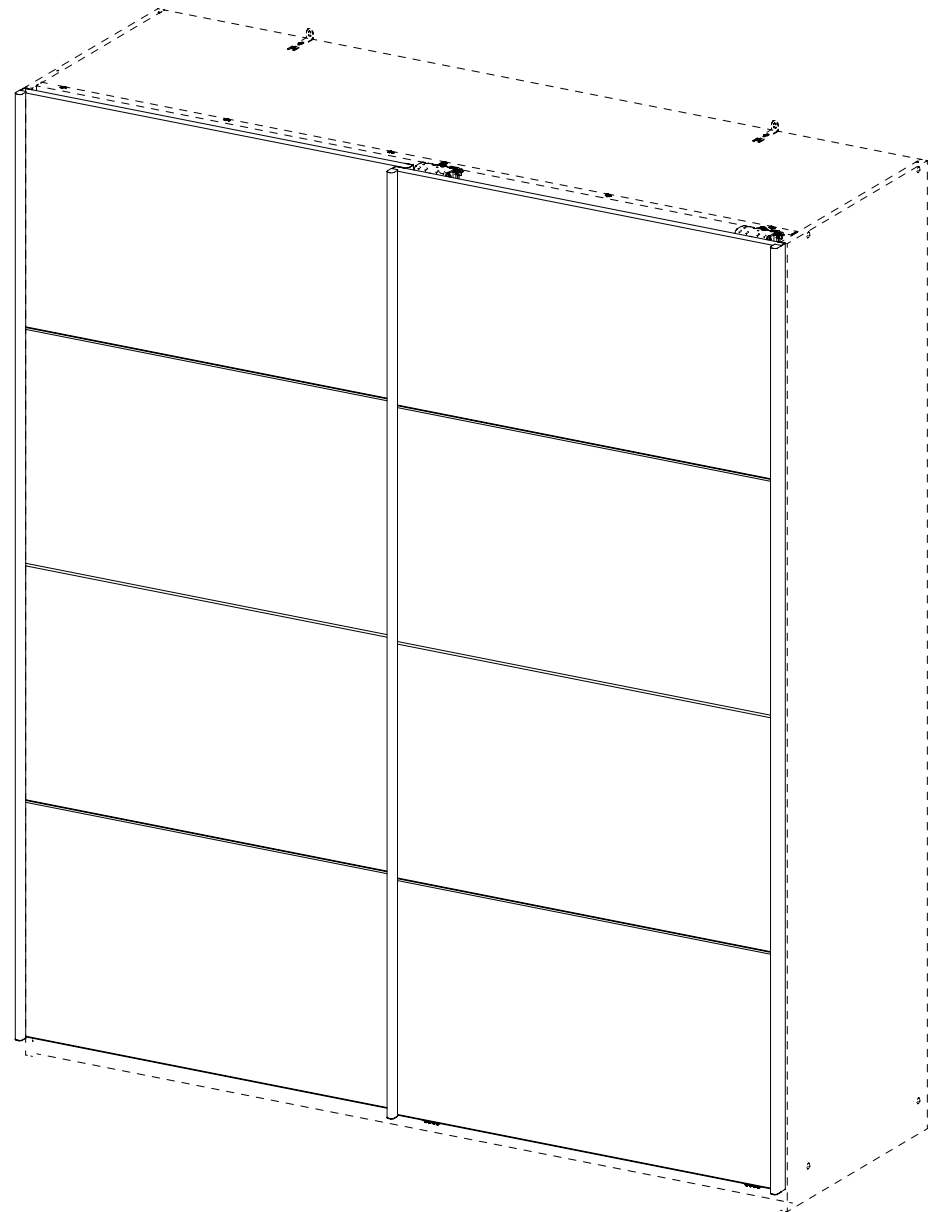
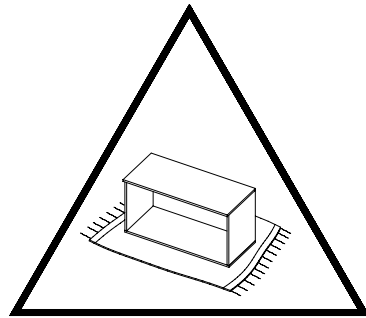
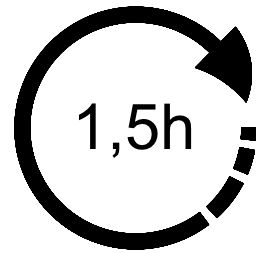
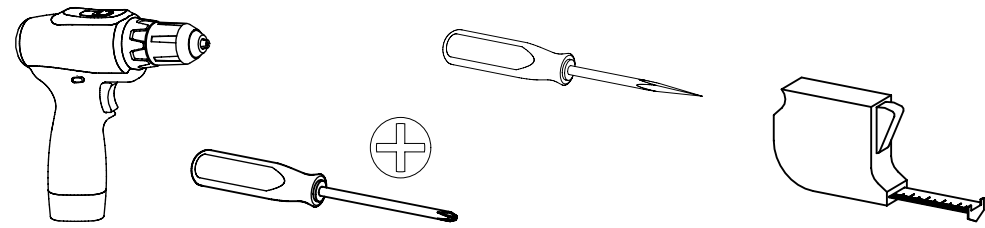
8x 271 



1.

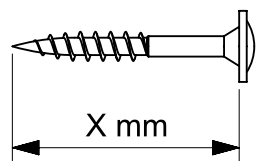
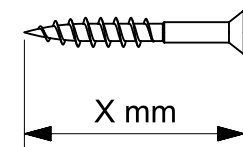
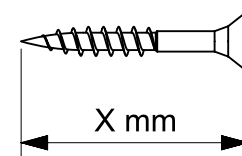
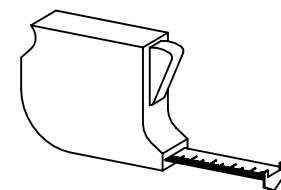
M9980_02

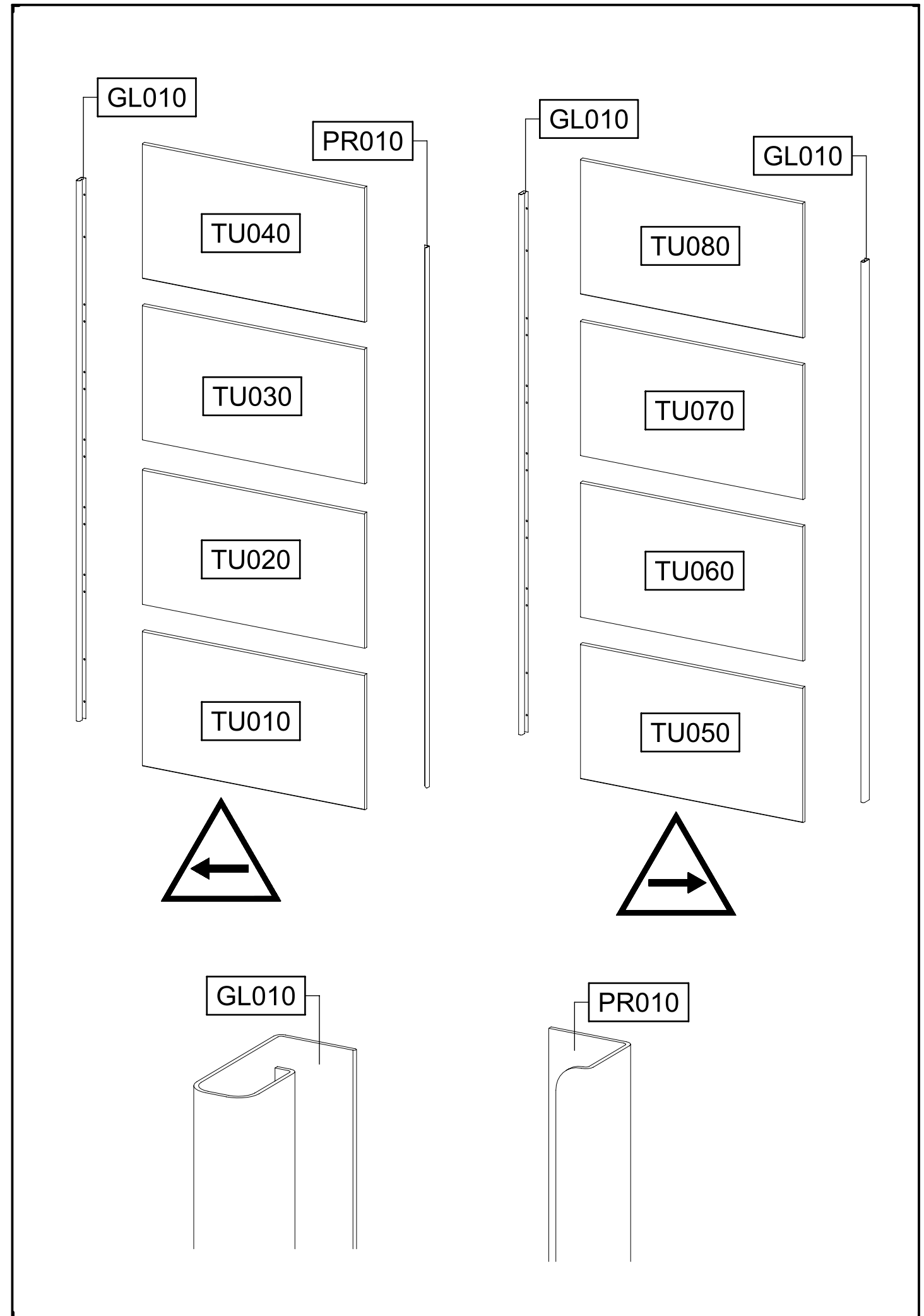
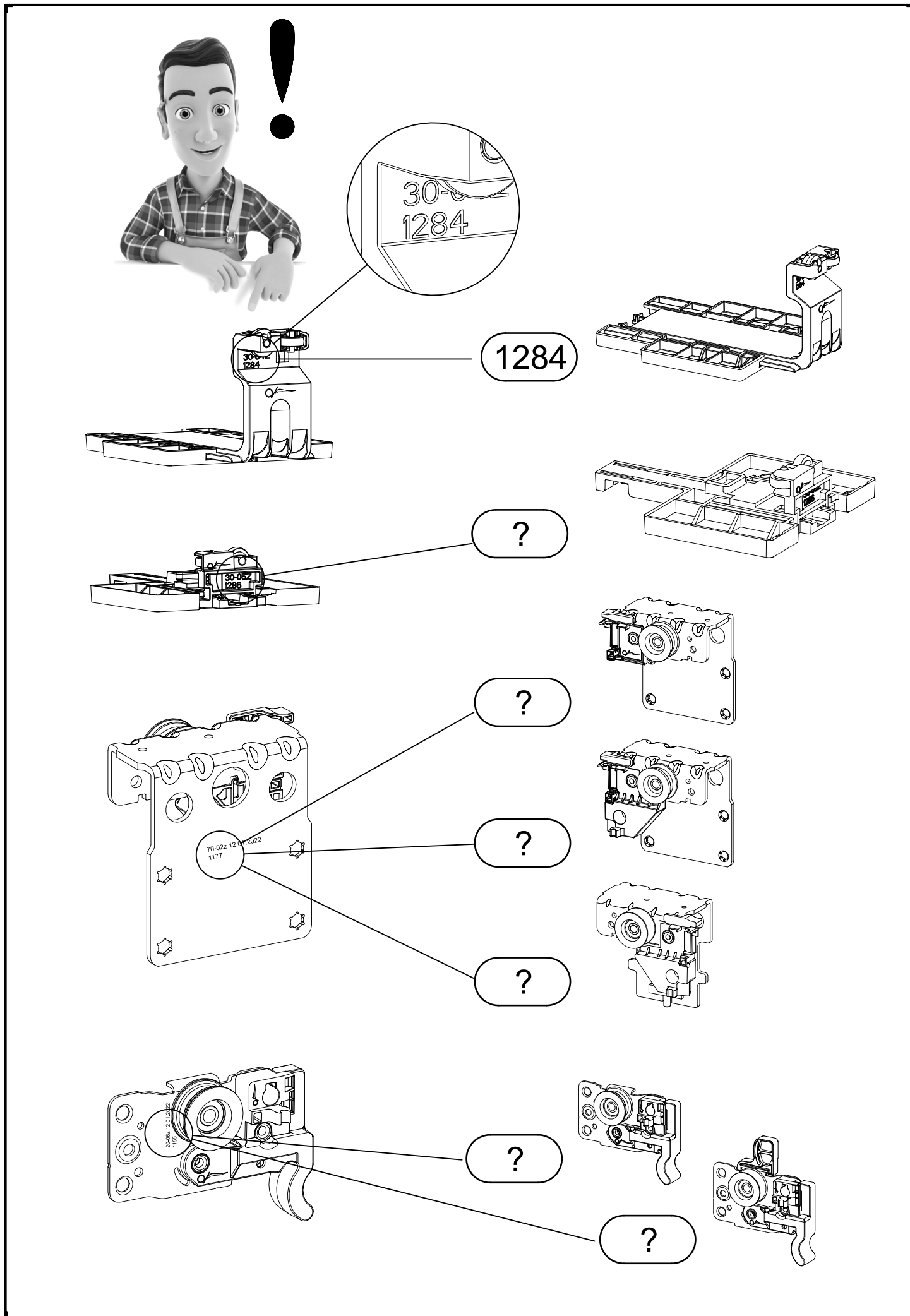
rauch

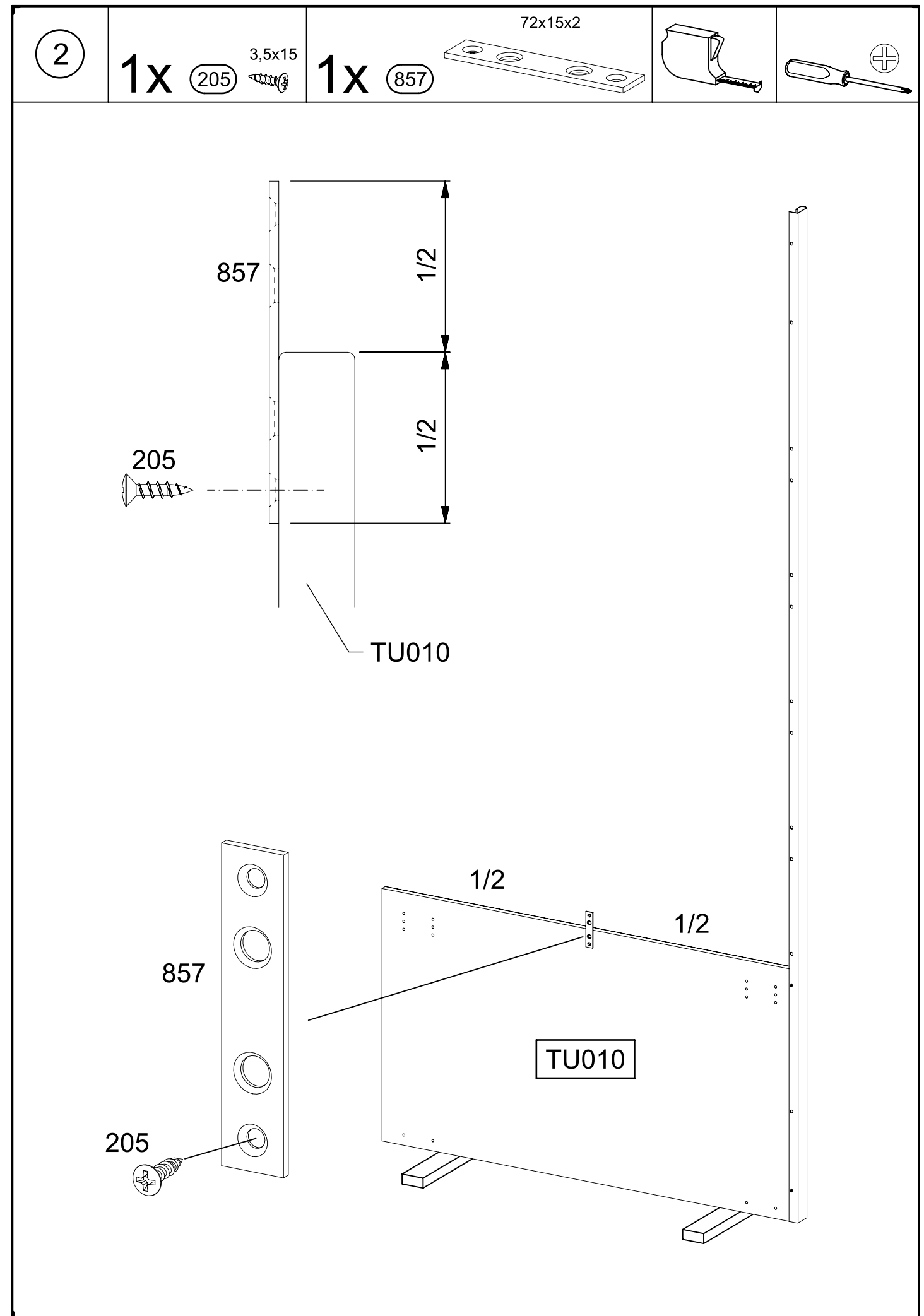
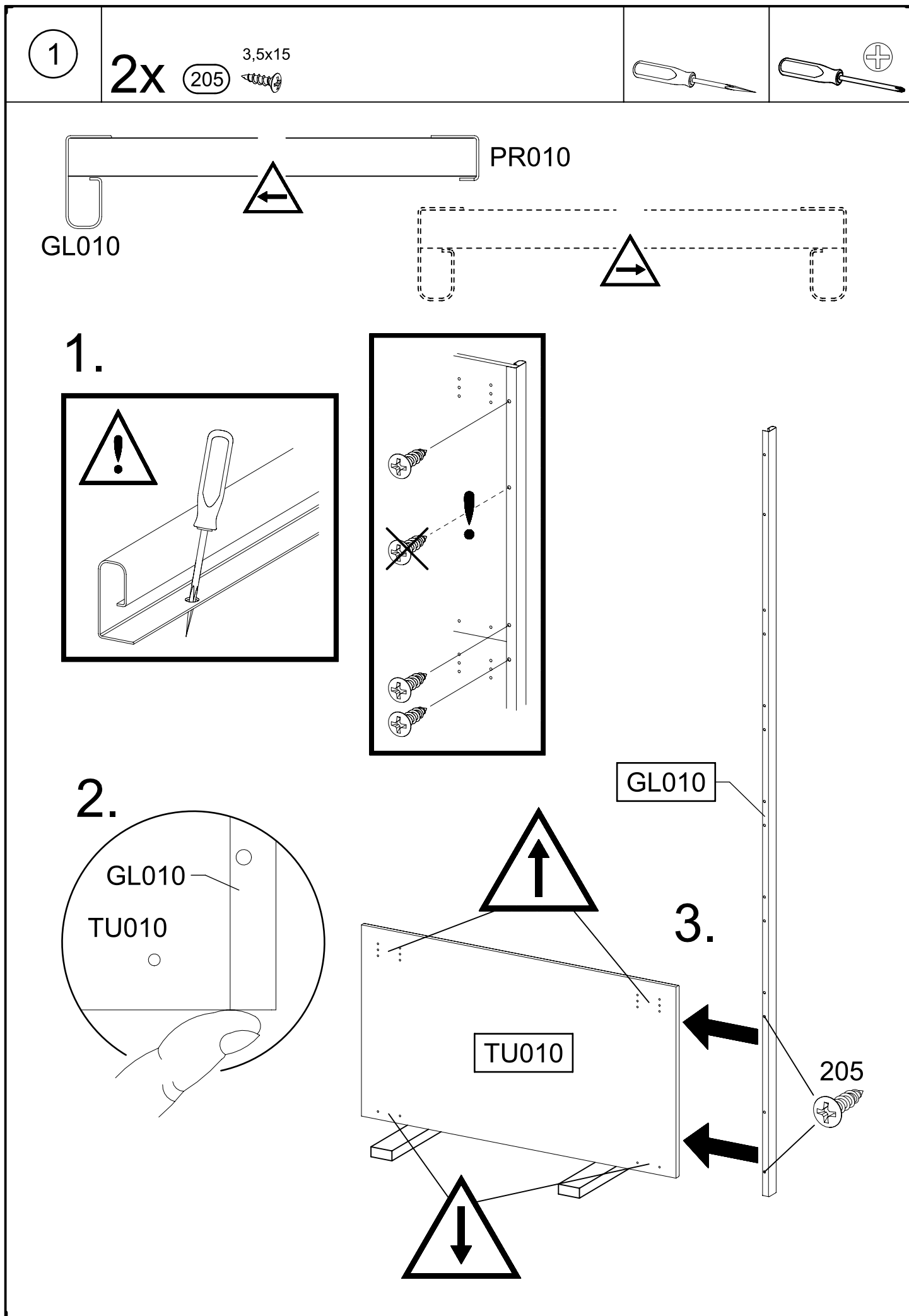


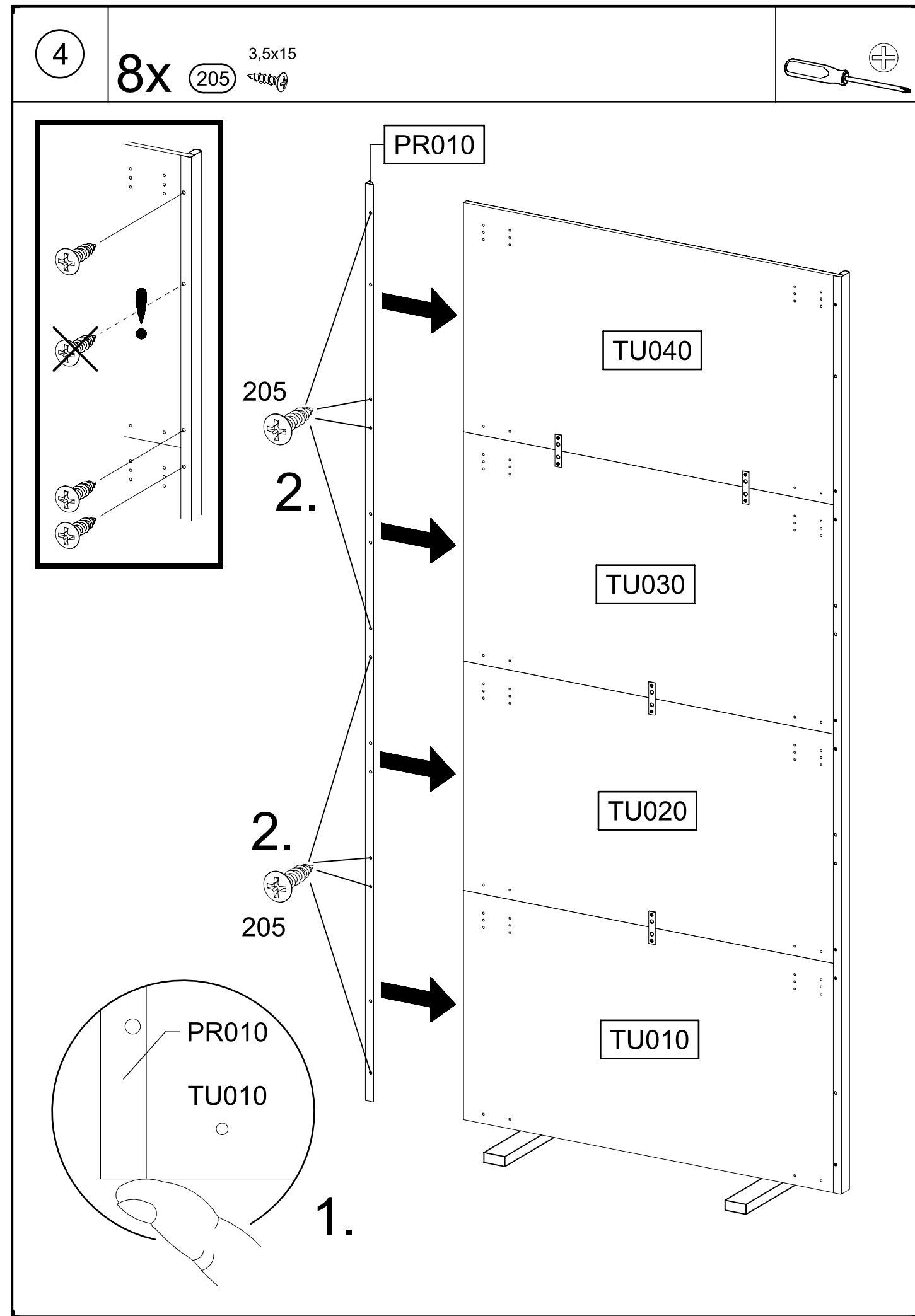
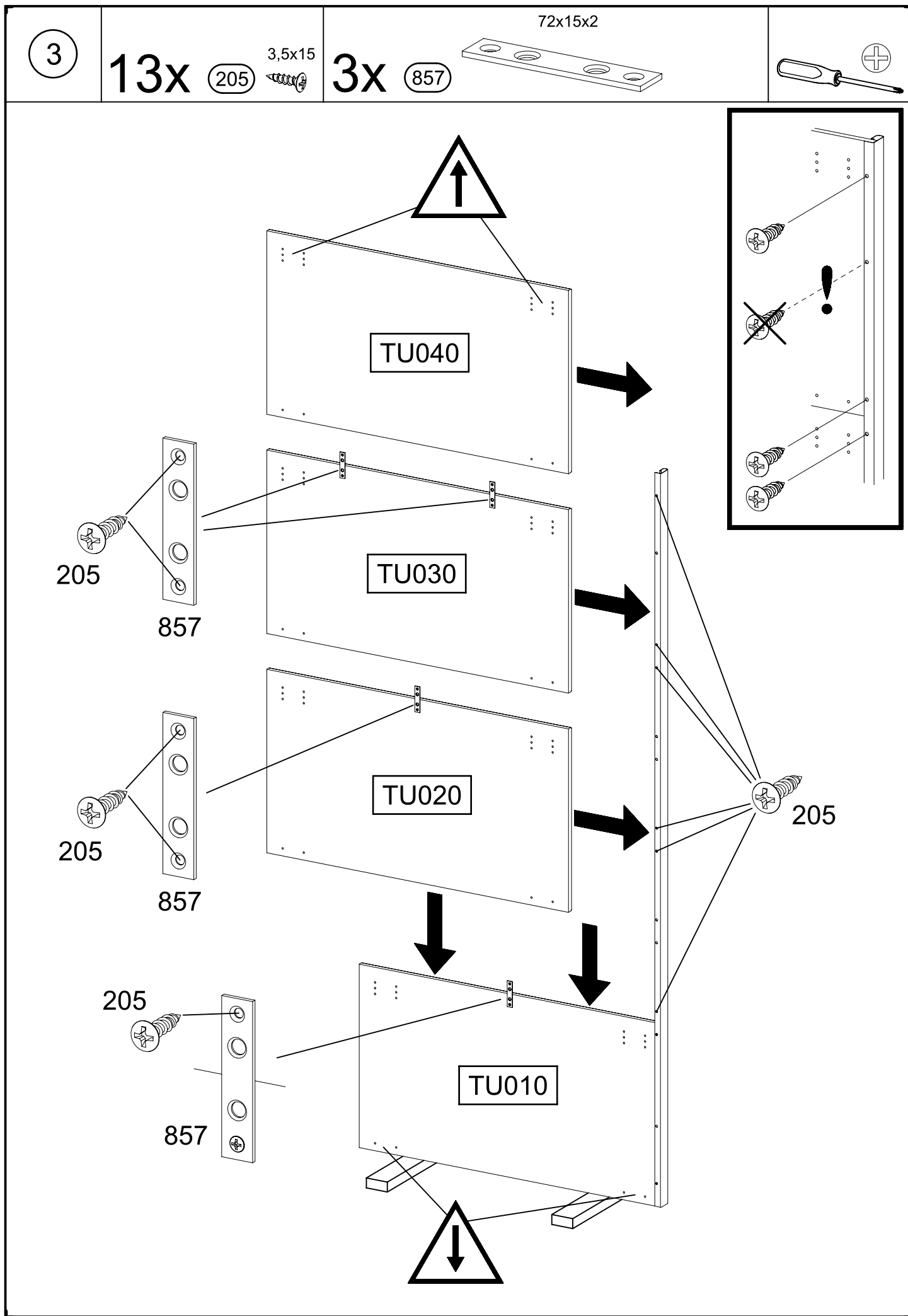
2.

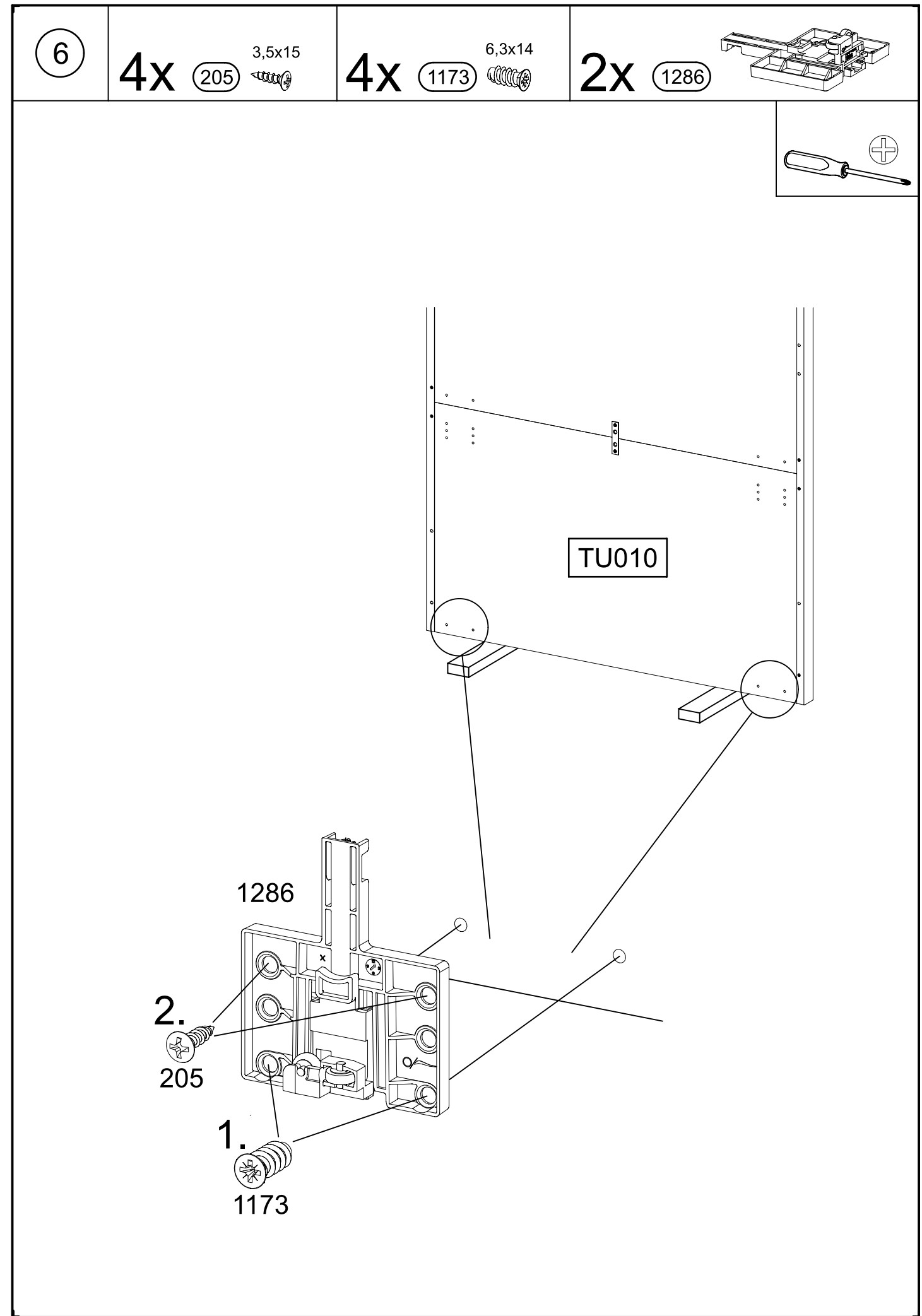
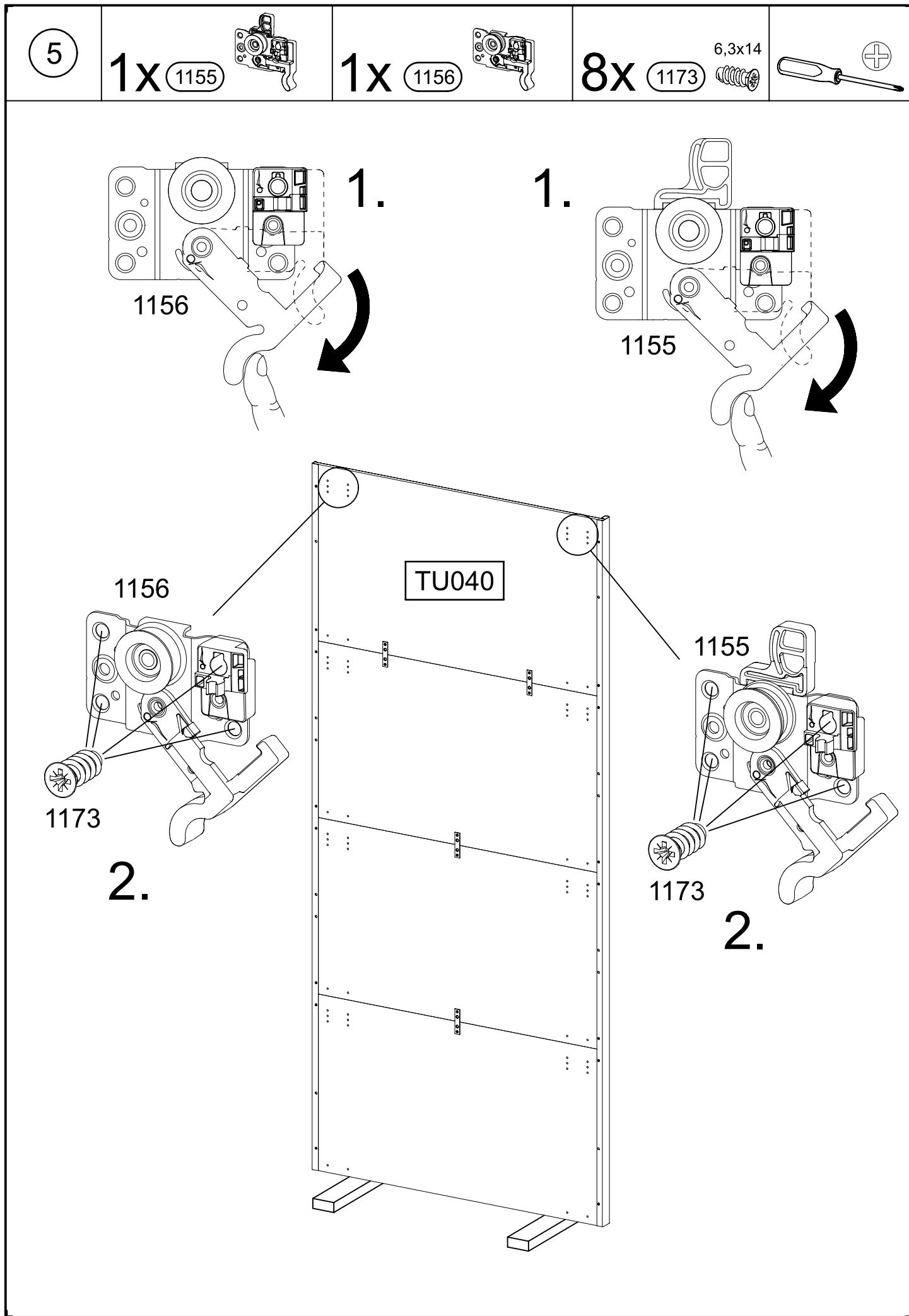
6x 144 	56x 205 3,5x15 	8x 857 72x15x2
1x 1155 	1x 1156 	24x 1173 6,3x14
1x 1178 	1x 1177 	
2x 1284 	2x 1286 	

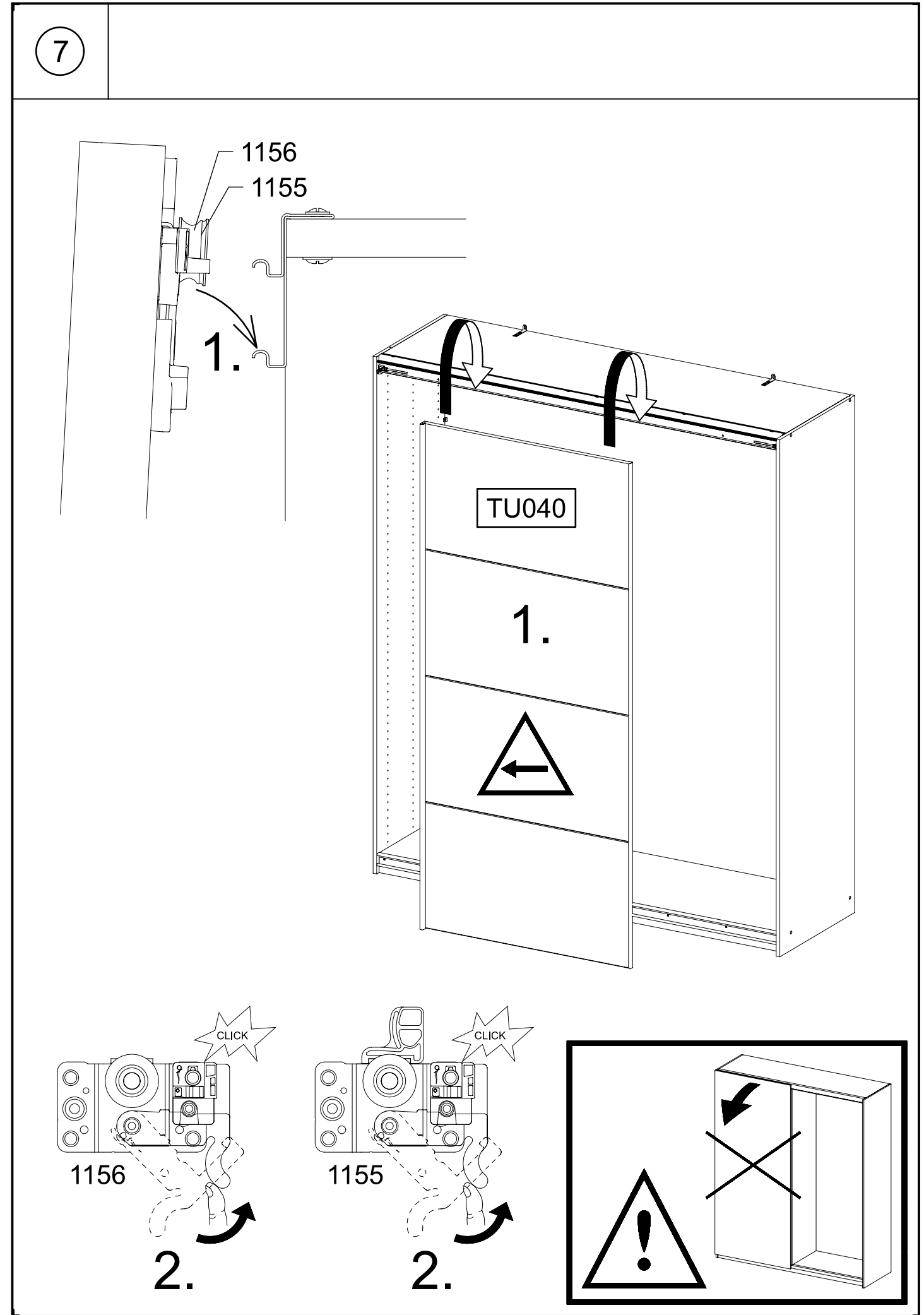
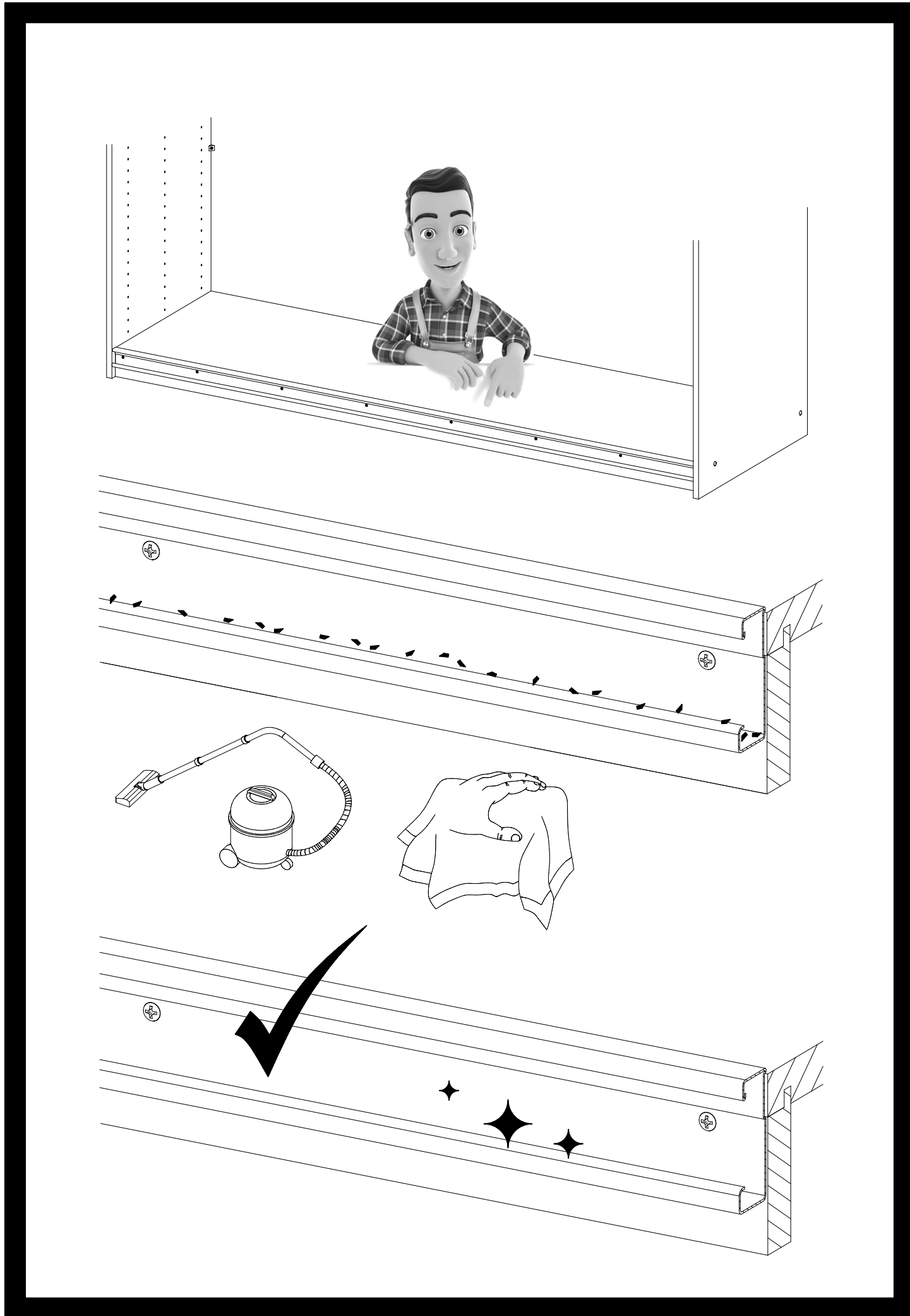




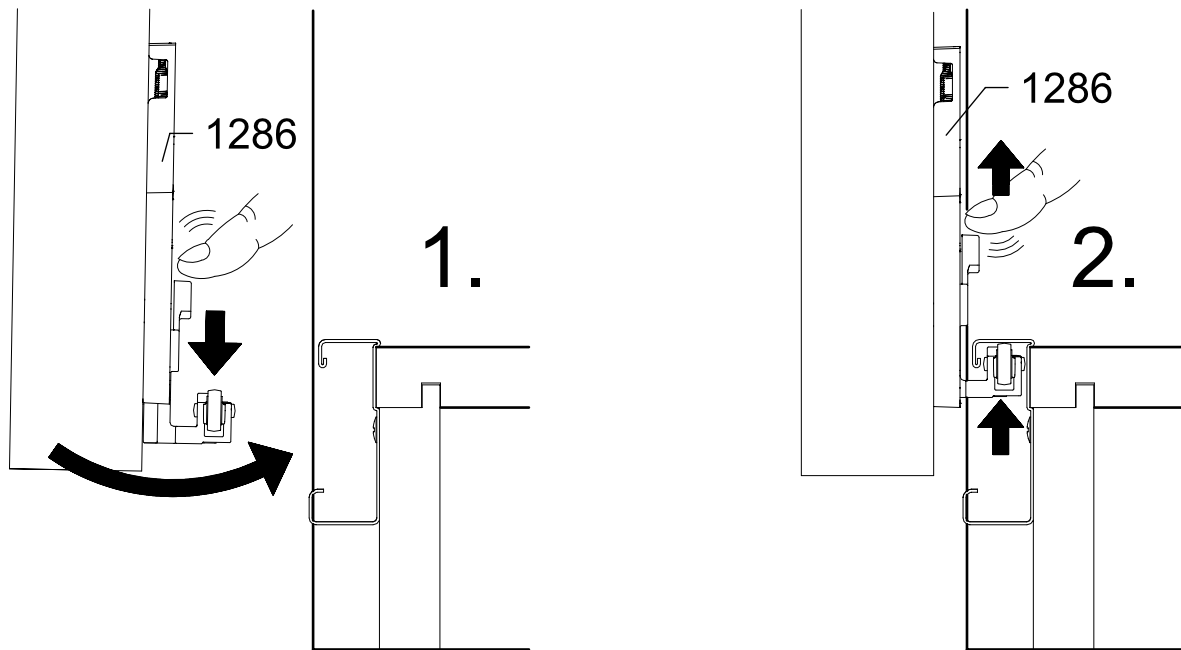
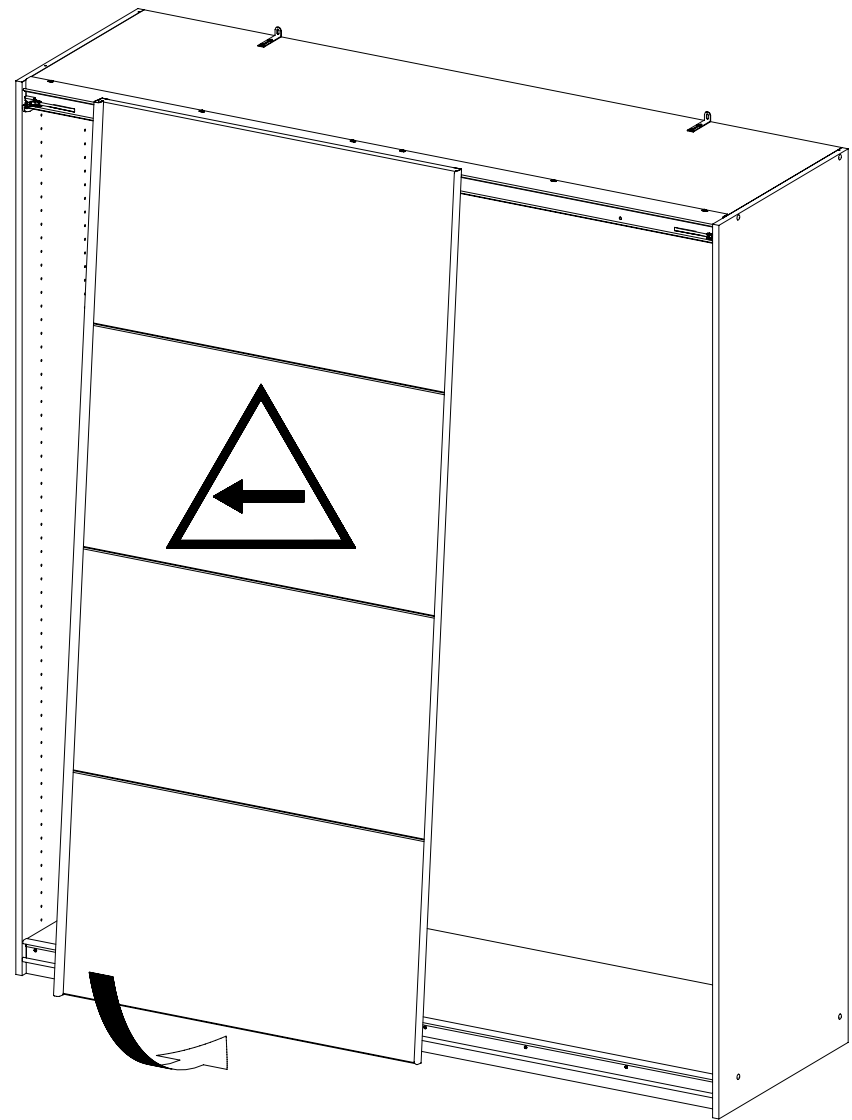






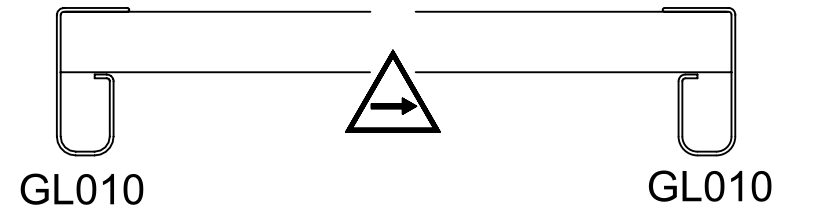
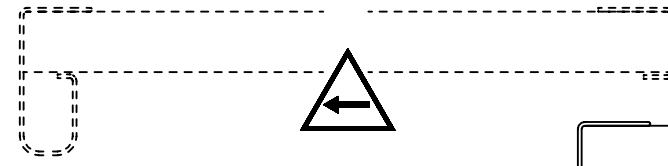
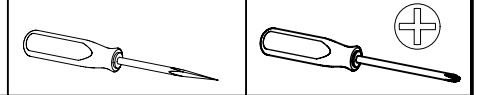


8

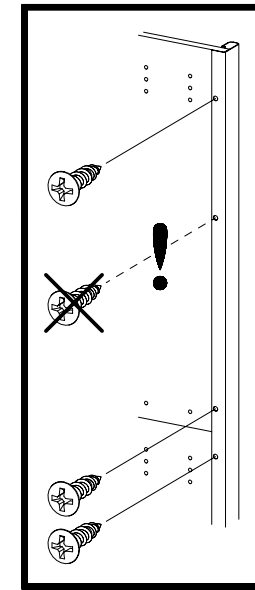
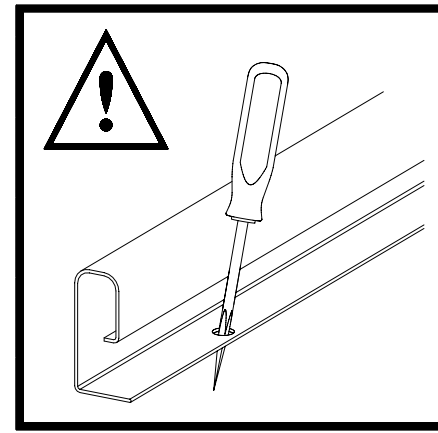


9

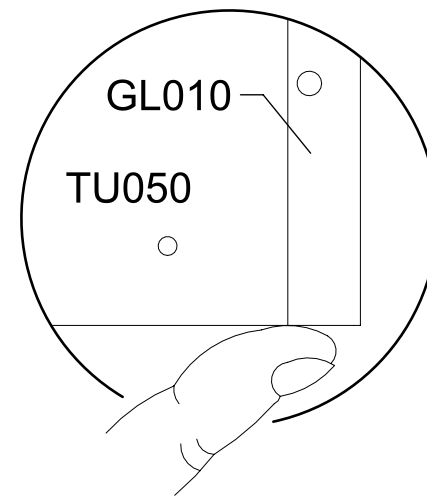
2x 205 3,5x15



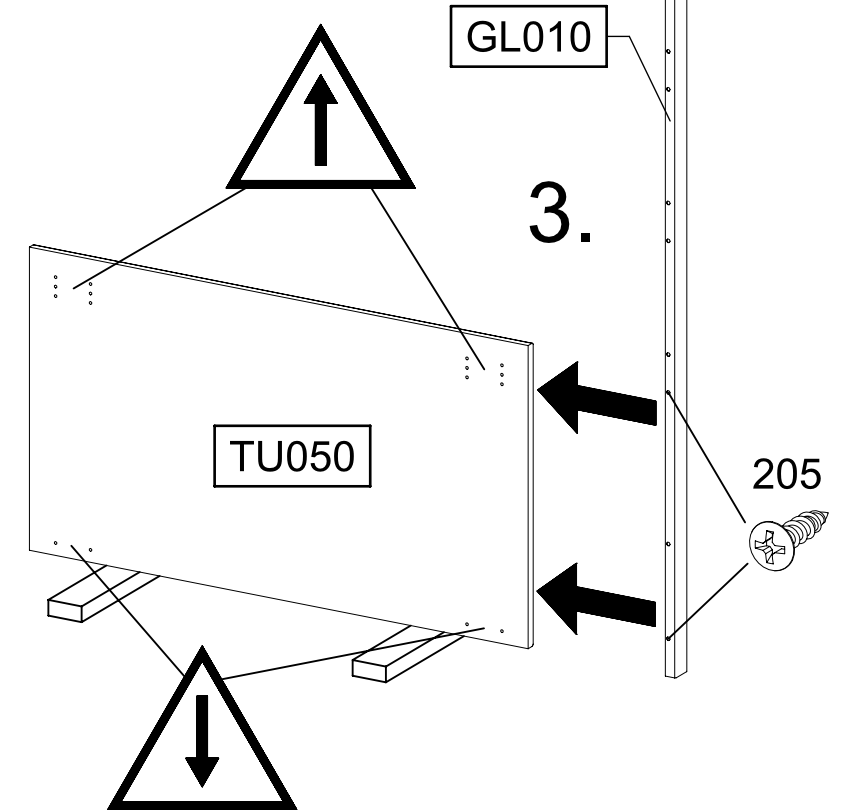
1.

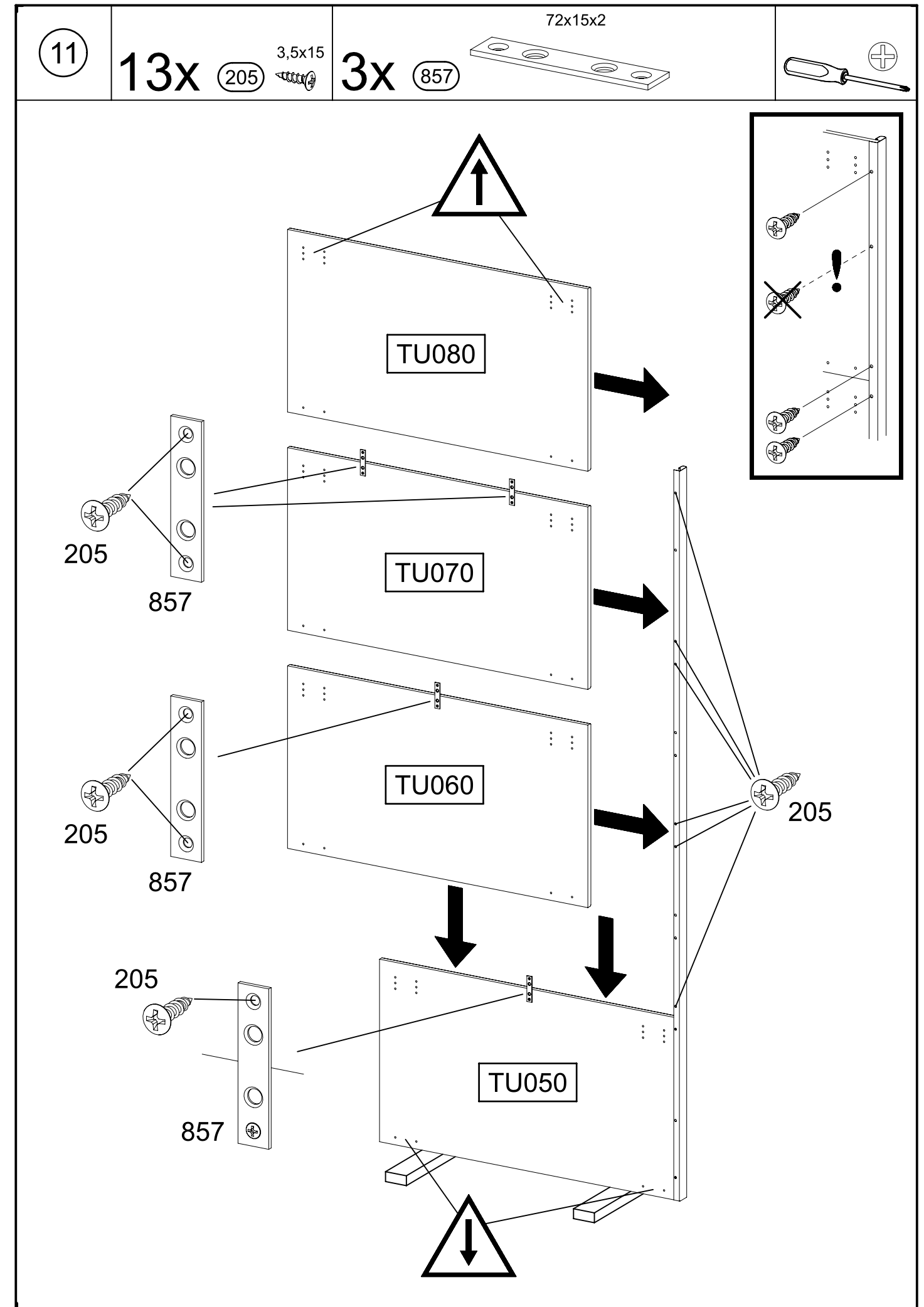
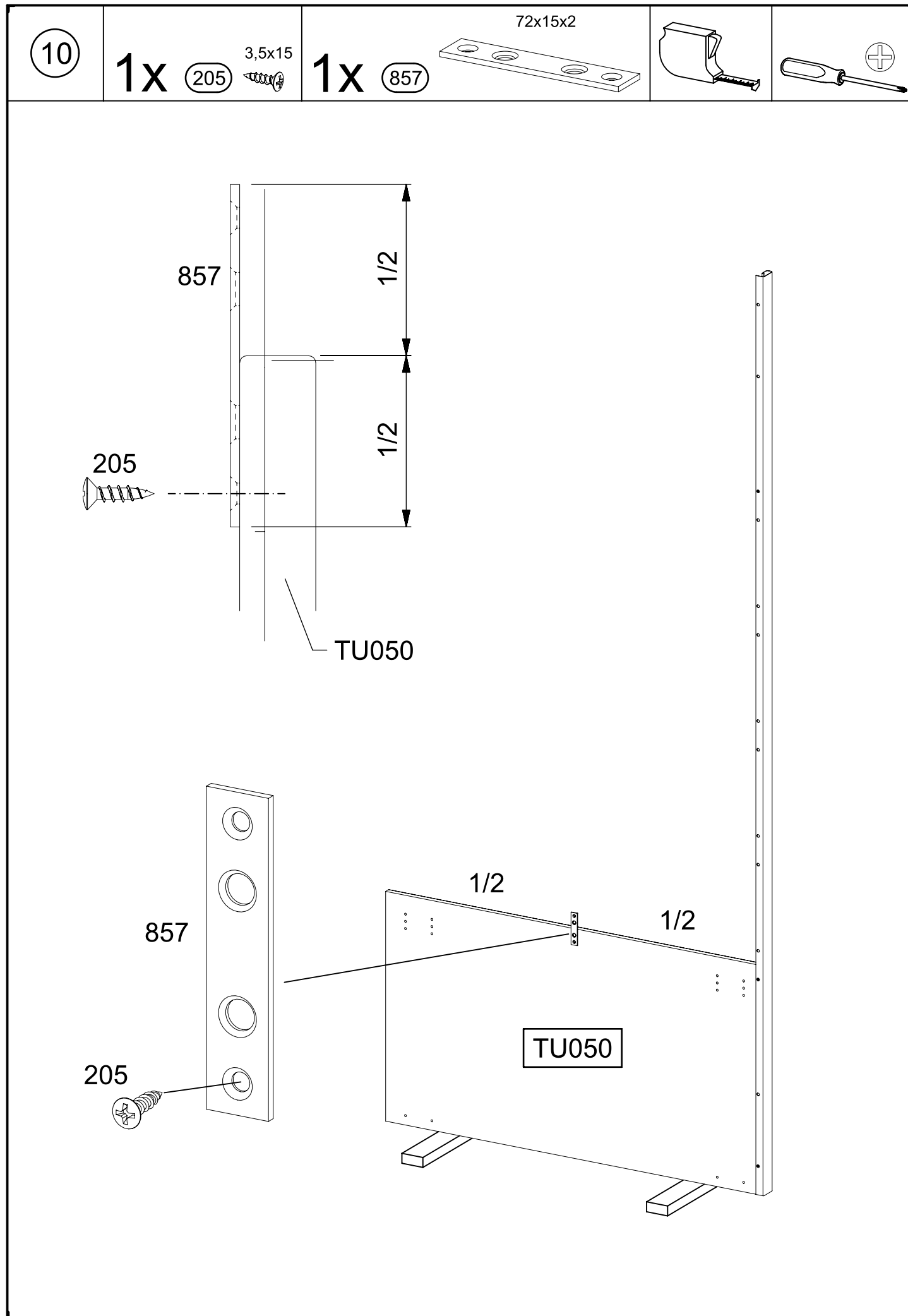


2.



3.



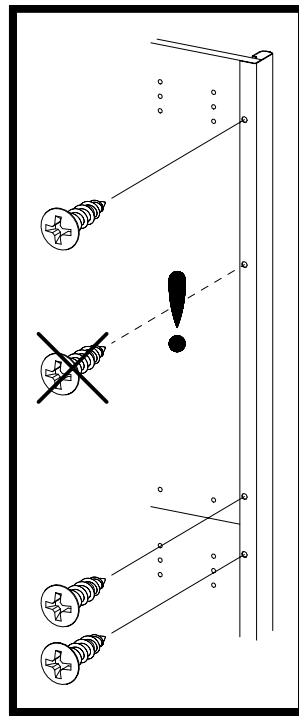
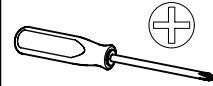


12

8x

205

3,5x15



GL010

2.

205

2.

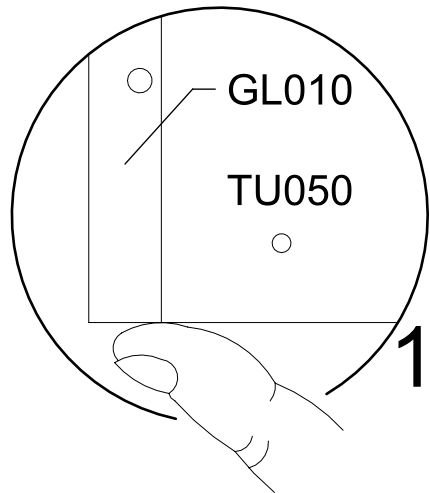
205

TU080

TU070

TU060

TU050



1.

13

8x

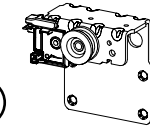
1173

6,3x14



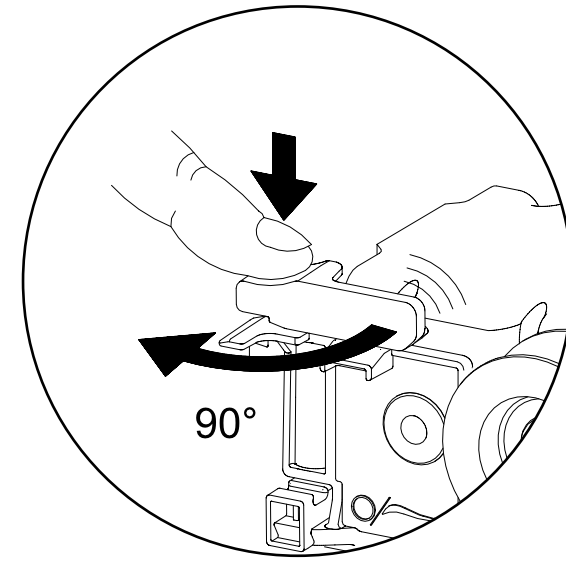
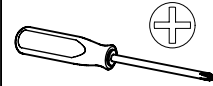
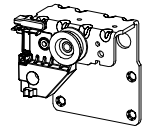
1x

1177



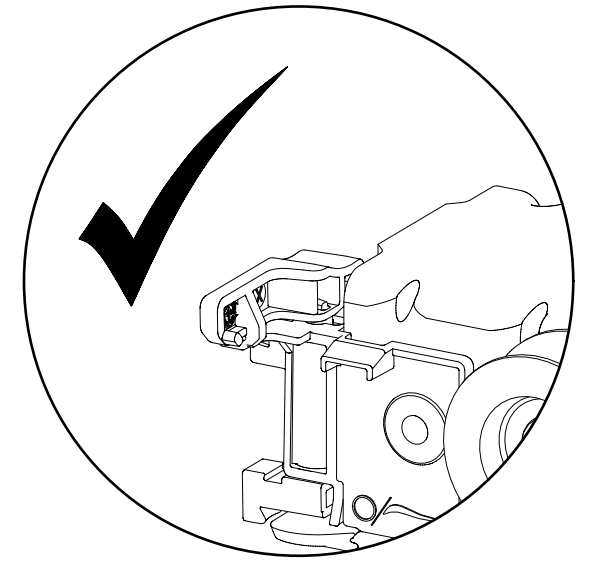
1x

1178



90°

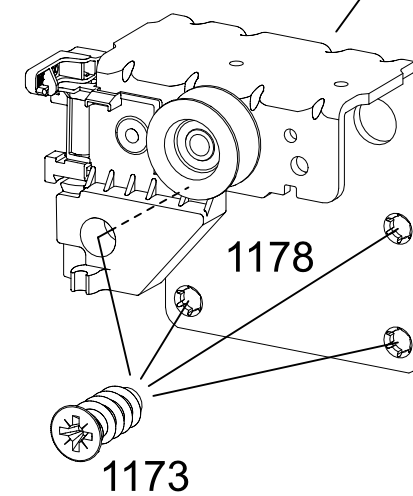
1.



2.

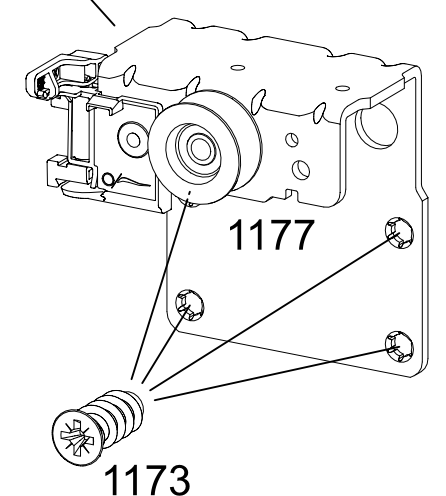
TU080

2.



1178

1173



1177

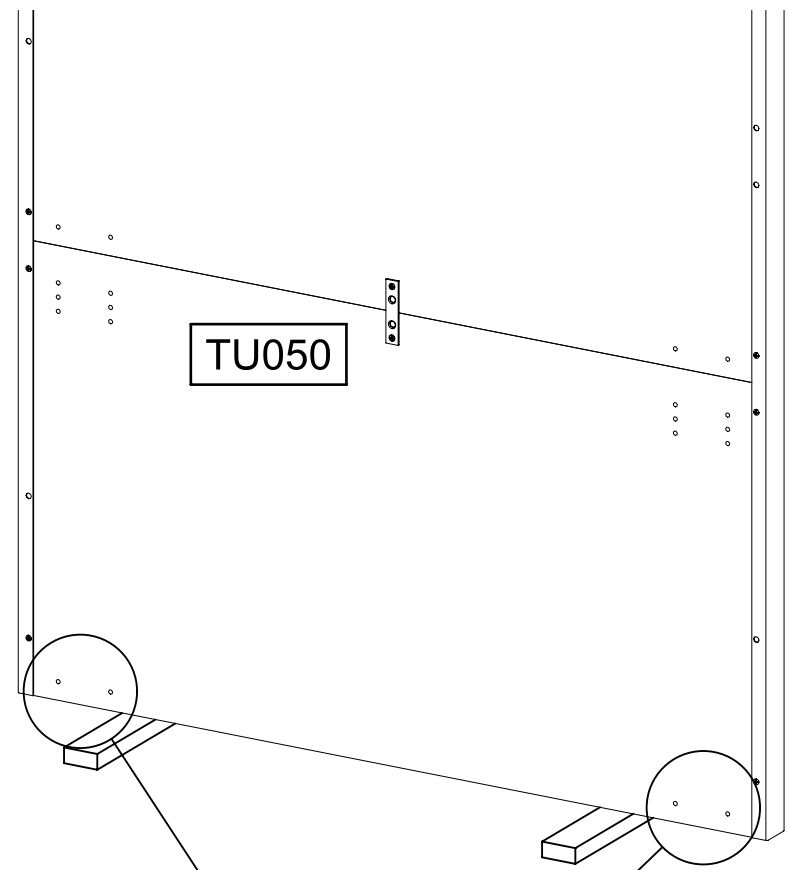
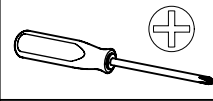
1173

14

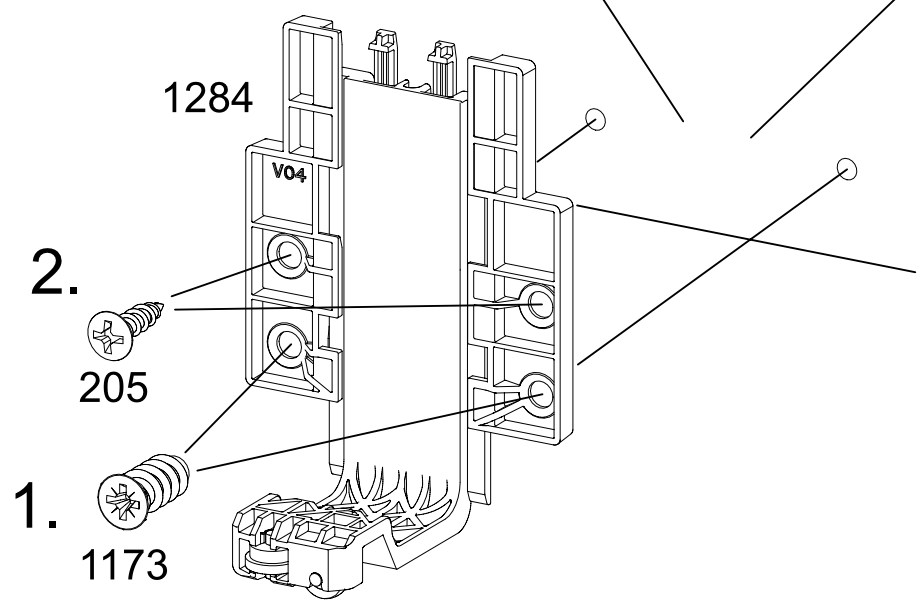
4x 205 3,5x15

4x 1173 6,3x14

2x 1284



TU050



1284

V04

2.

205

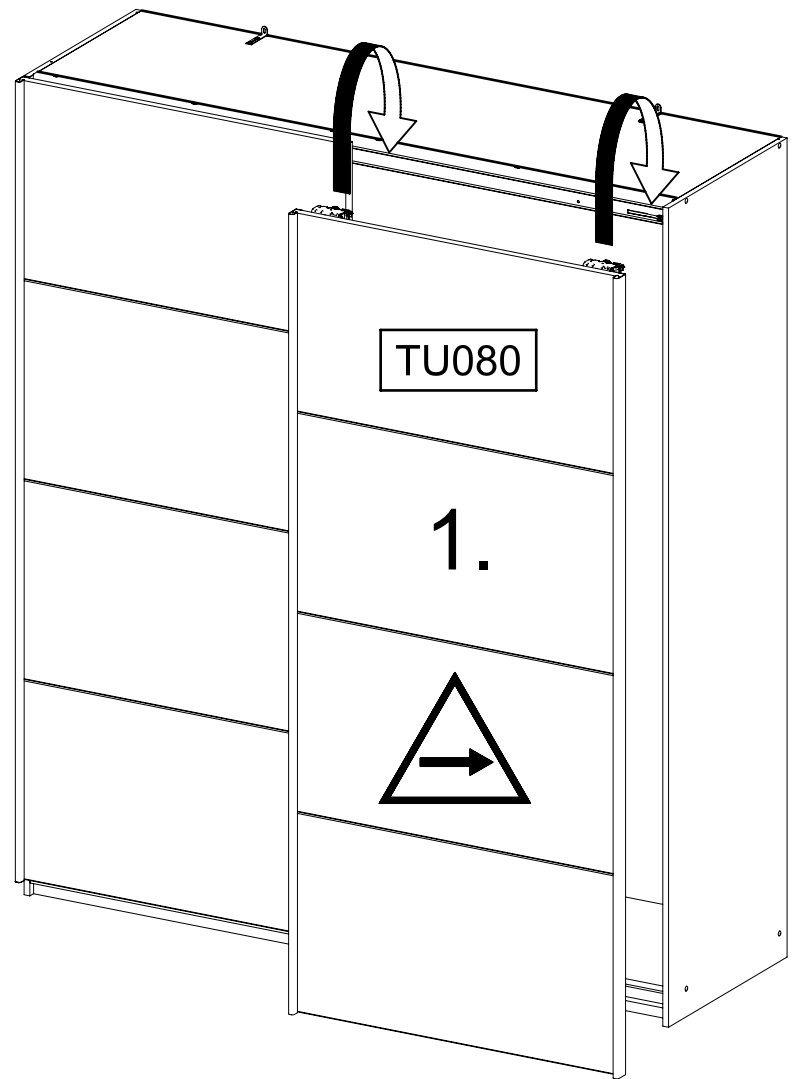
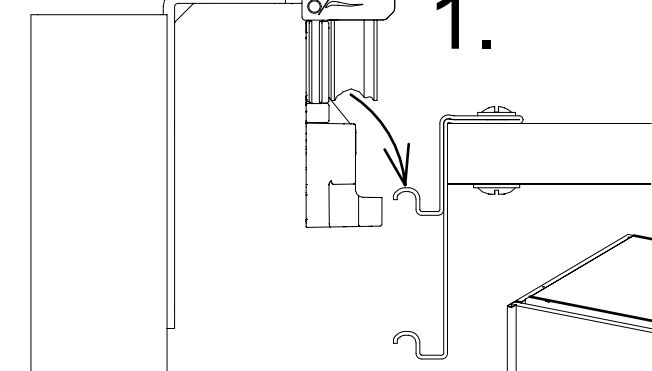
1.

1173

15

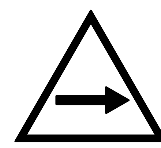
1177 1178

1.



TU080

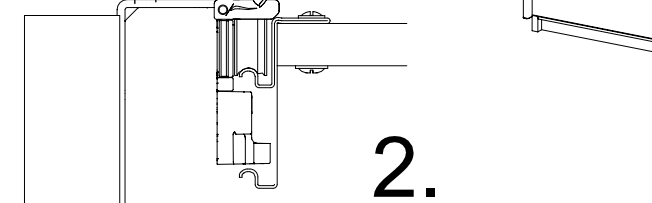
1.



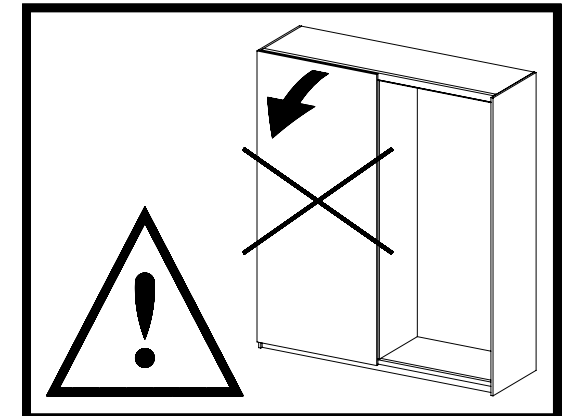
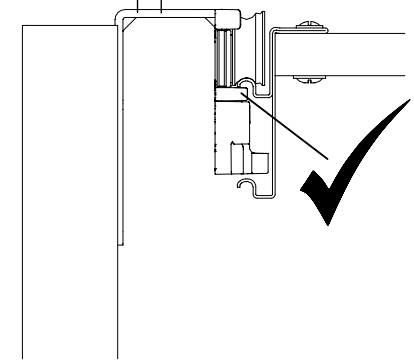
1178 1177

90°

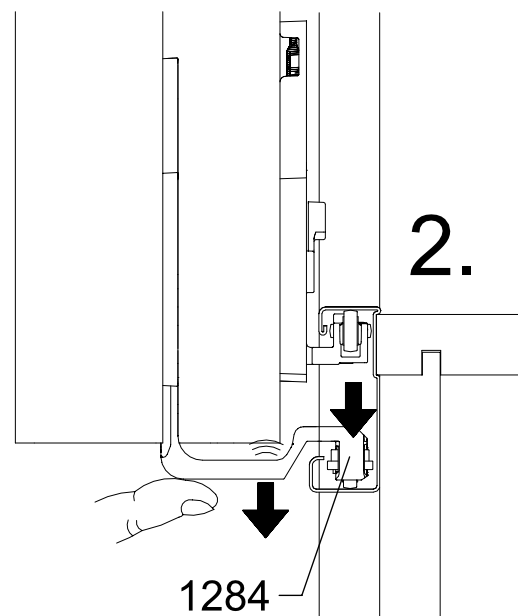
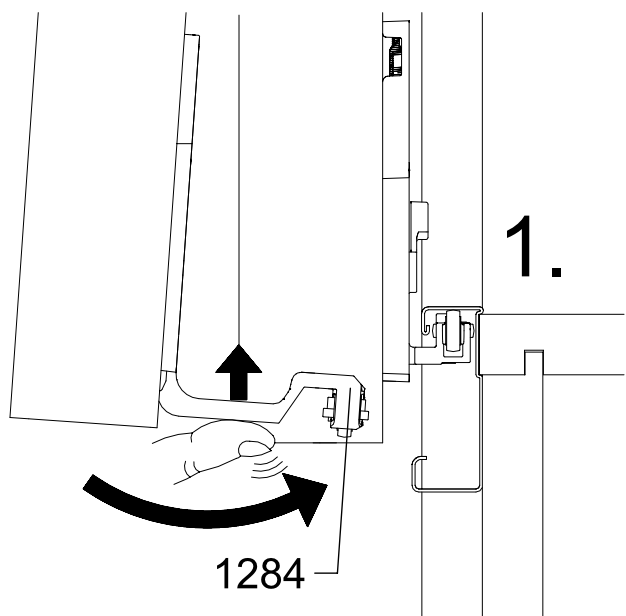
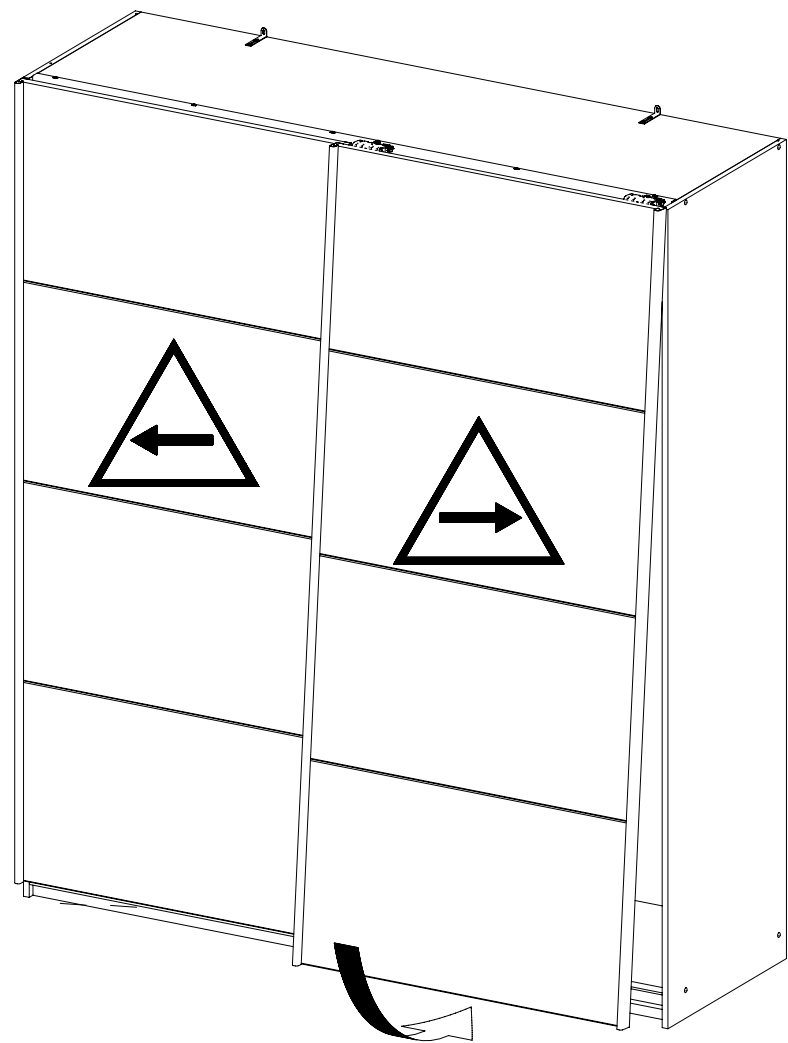
2.



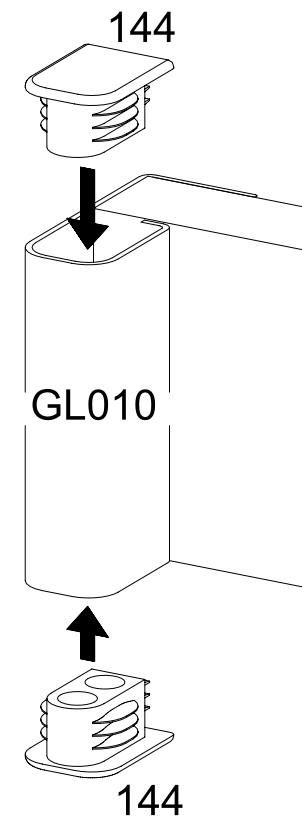
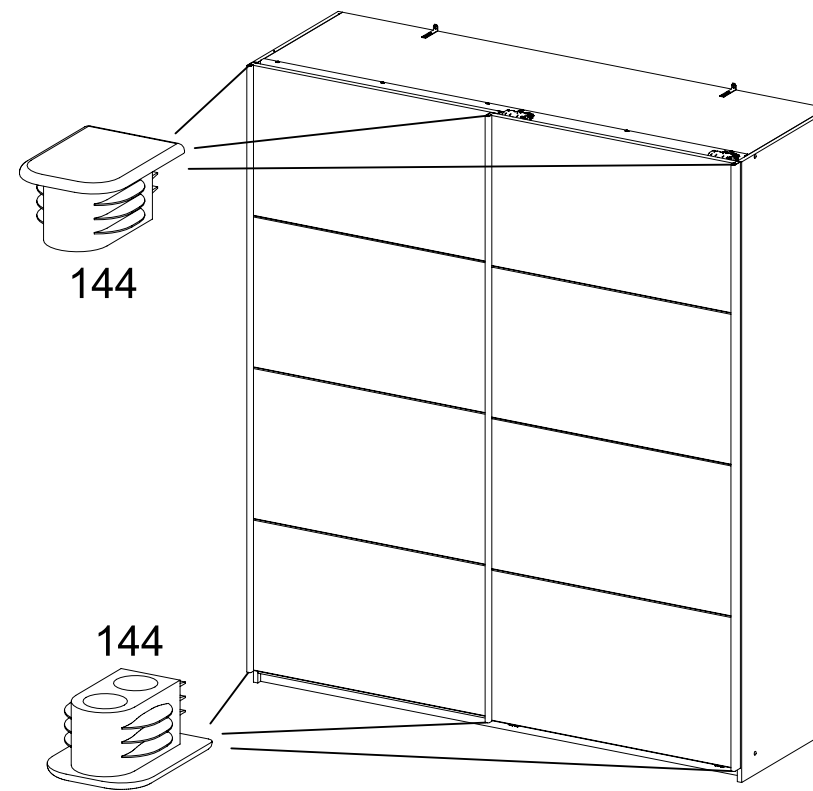
1177 1178

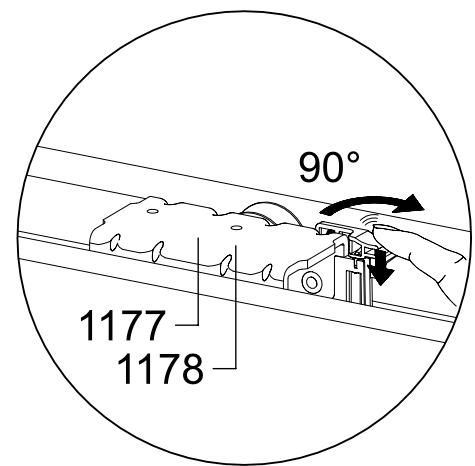


16

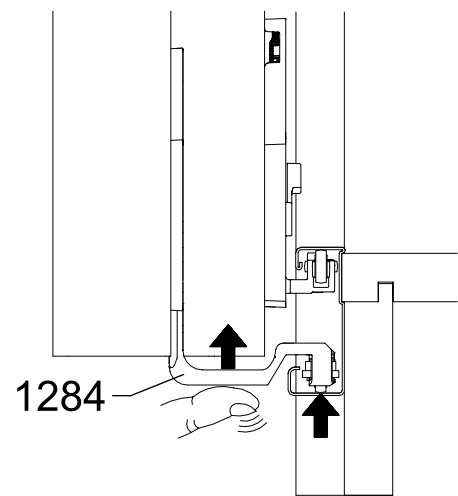
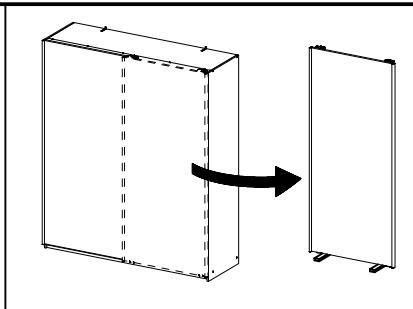
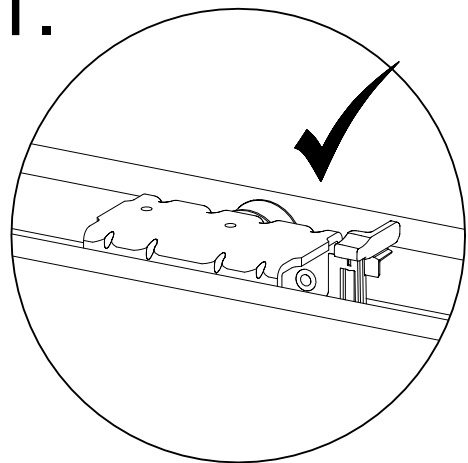


6x 144

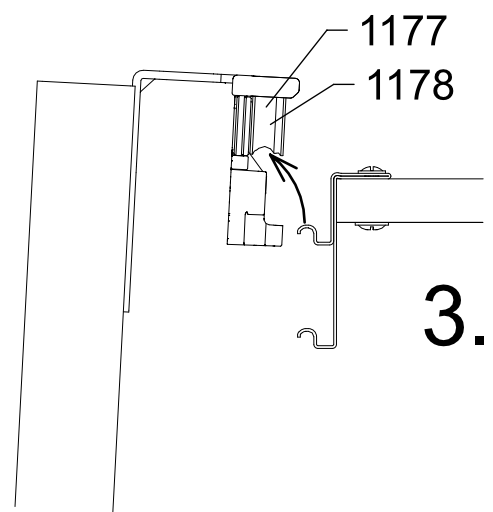
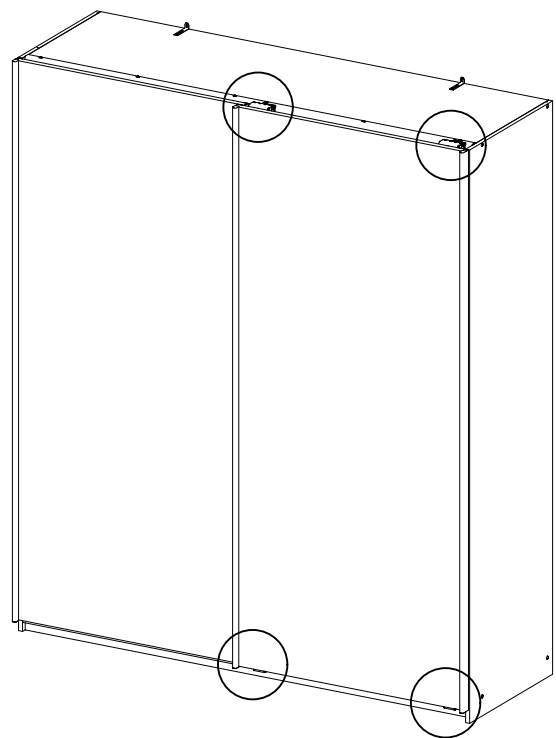
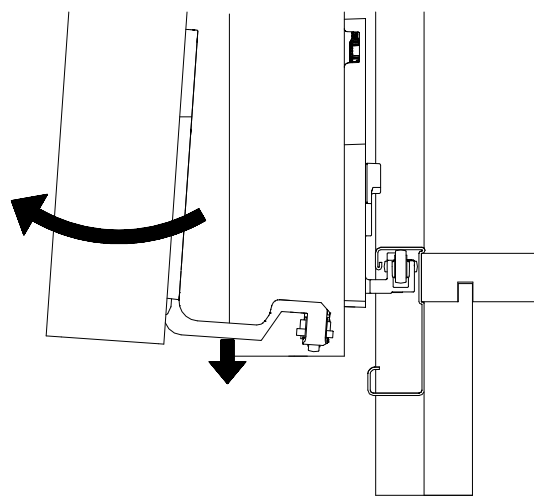




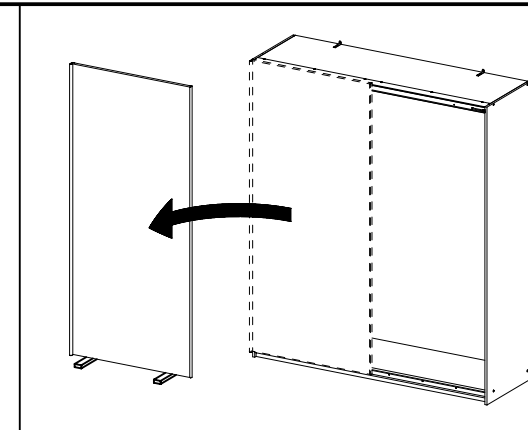
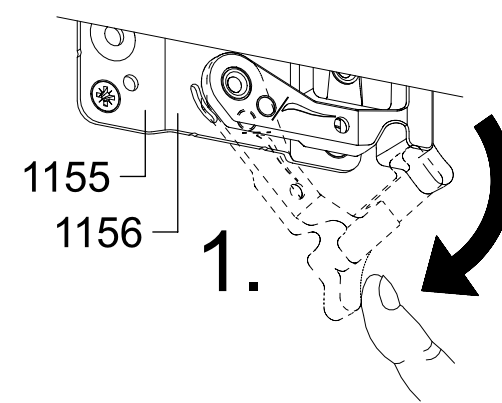
1.



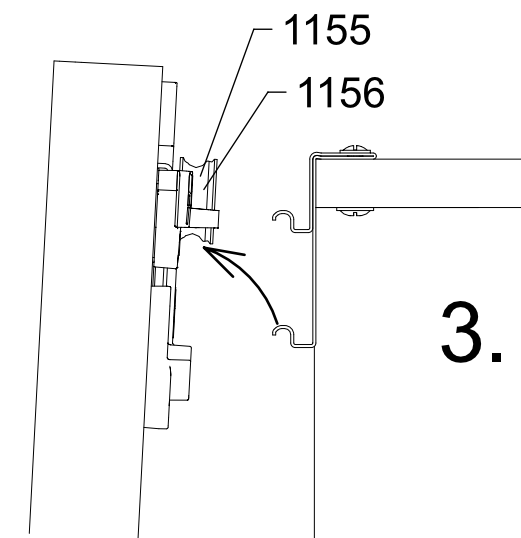
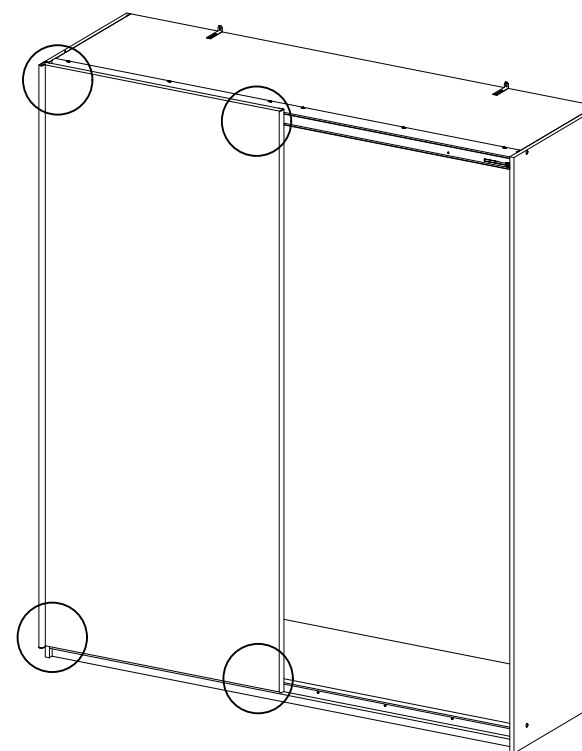
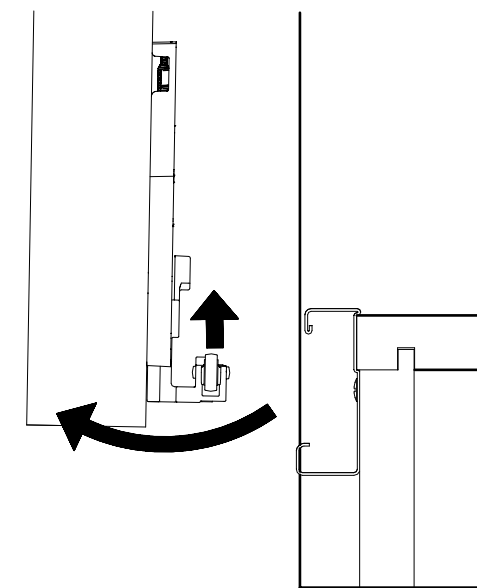
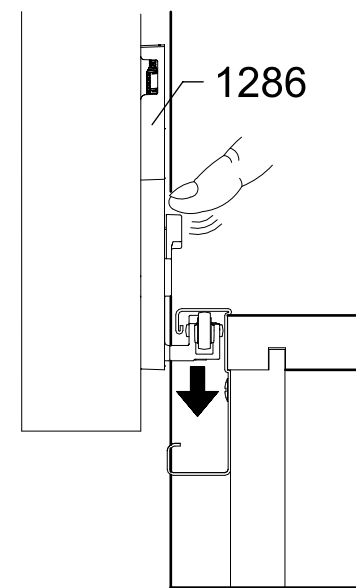
2.



3.

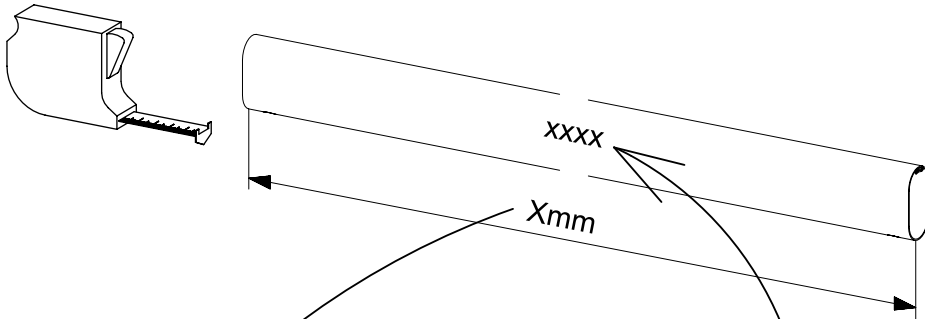
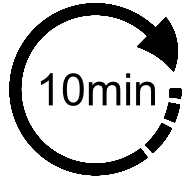
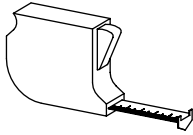
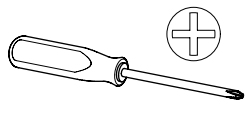


2.



3.

MZ110_04



Xmm	  	xxxx
393mm	max. 40kg	2000
426mm	max. 40kg	2001
538mm	max. 40kg	2011
563mm	max. 40kg	2002
650mm	max. 40kg	2003
809mm	max. 40kg	2004
873mm	max. 40kg	2006
890mm	max. 40kg	2010
1097mm	max. 40kg	2008

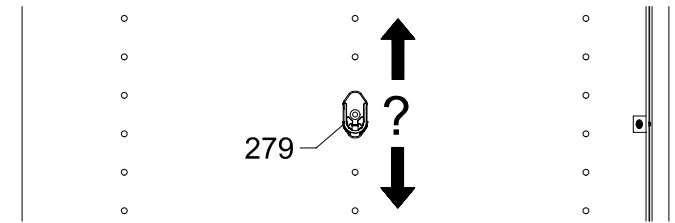
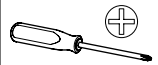
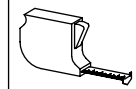


xxxx = 2000, 2001, 2002, 2003, 2004, 2006, 2008, 2010, 2011,

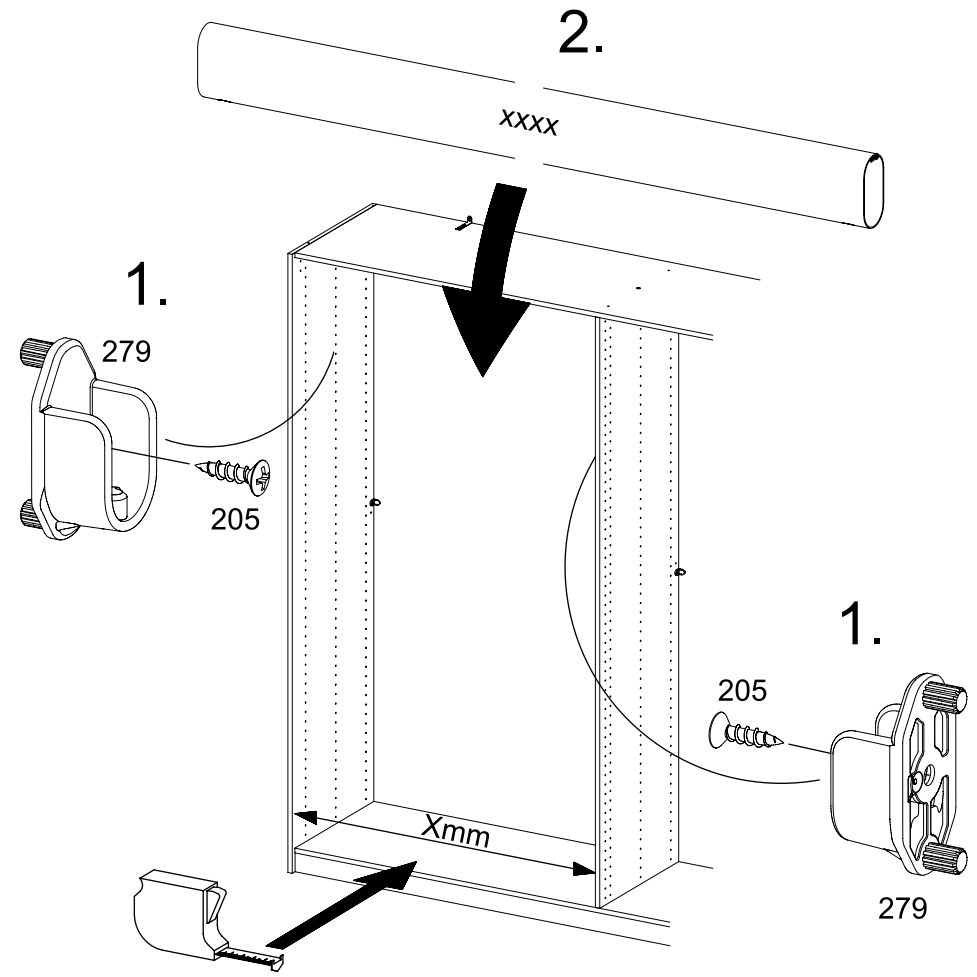
1

2x  3,5x15

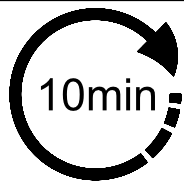
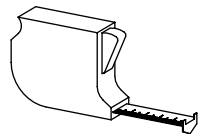
2x 



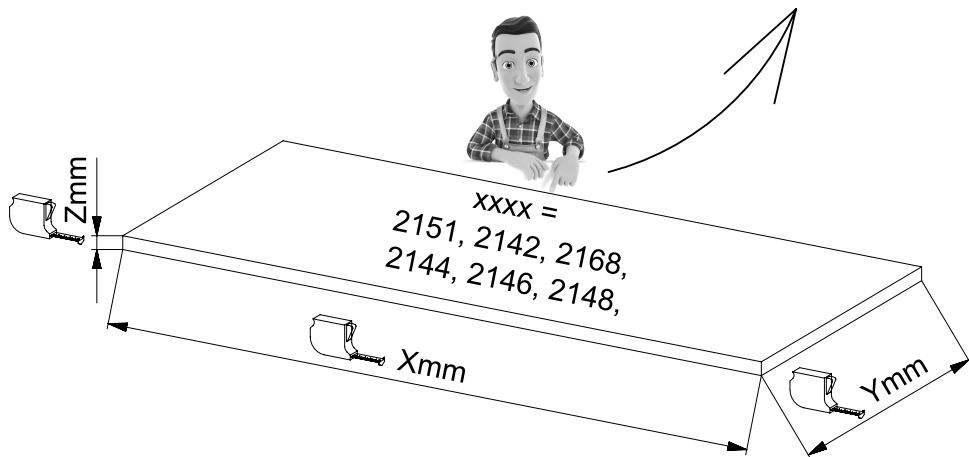
2.




MZ113_04

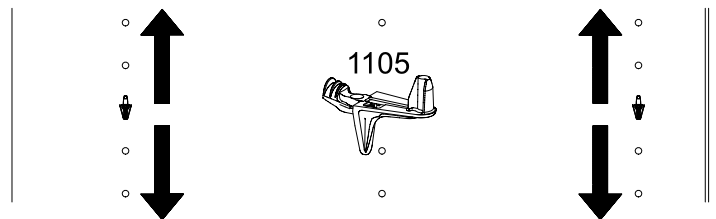


Xmm	Ymm	Zmm		xxxx
241mm	480mm	16mm	max. 10kg	(2151)
432mm	480mm	16mm	max. 10kg	(2142)
544mm	480mm	22mm	max. 25kg	(2168)
656mm	480mm	16mm	max. 10kg	(2144)
880mm	480mm	16mm	max. 10kg	(2146)
1104mm	480mm	22mm	max. 25kg	(2148)

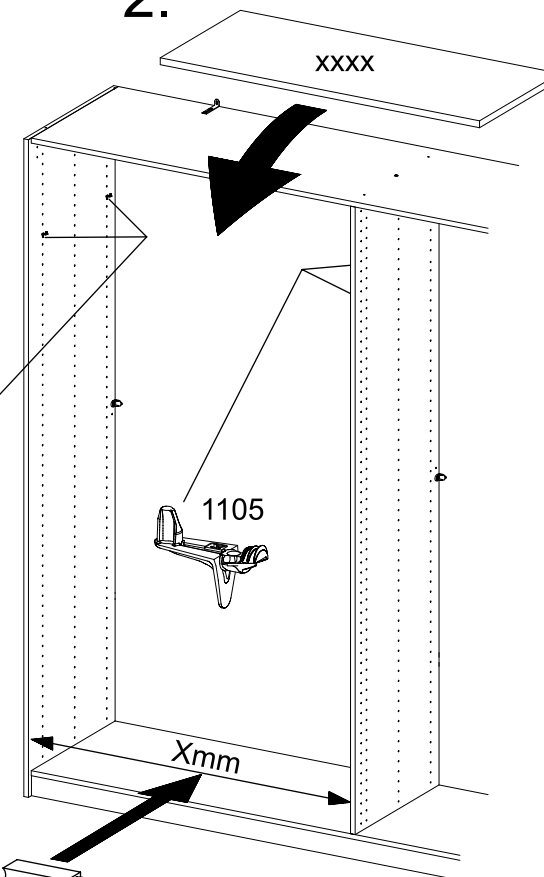


1

4x  (1105)



2.



3.

