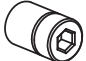

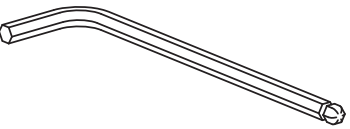
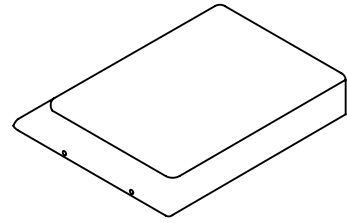
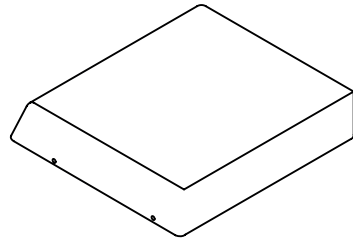




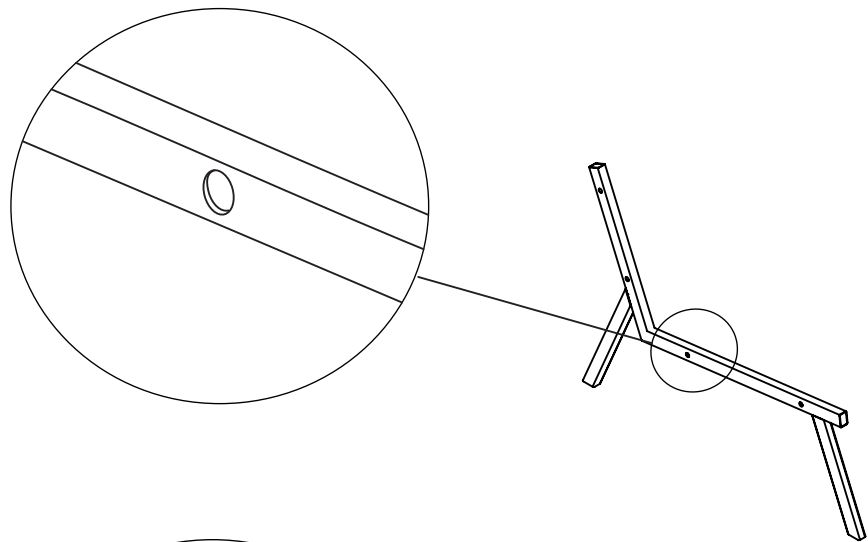
- ① x 8 
- ② x 8 
- ③ x 1 



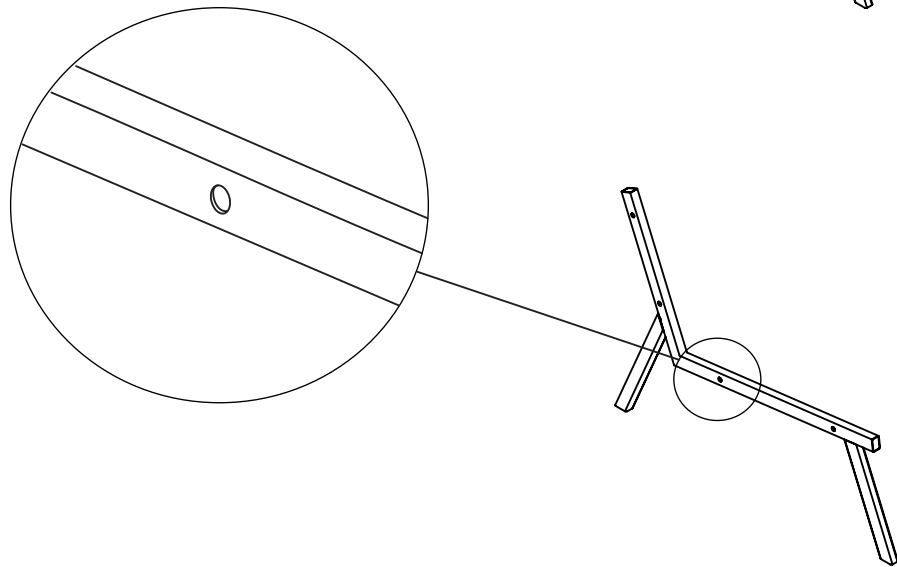
A x 1



B x 1



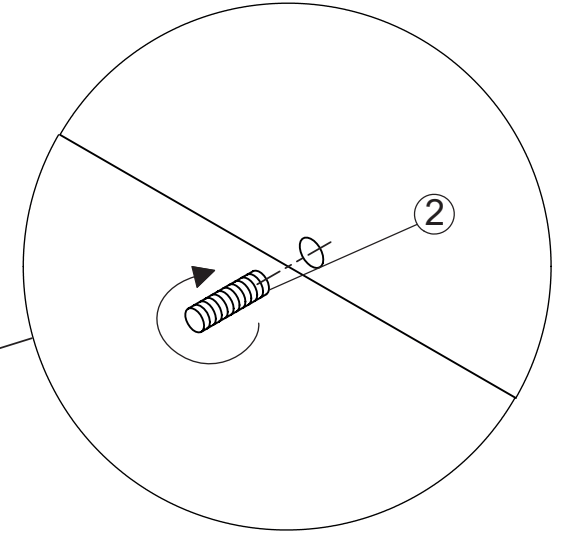
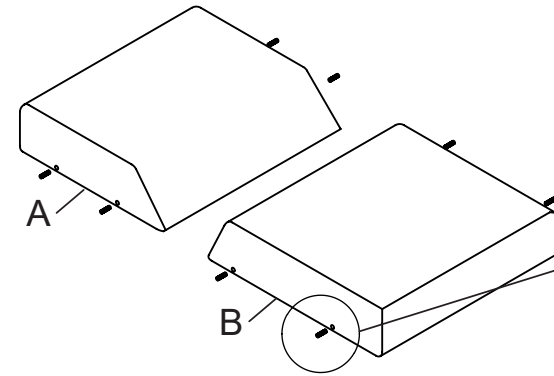
C x 1



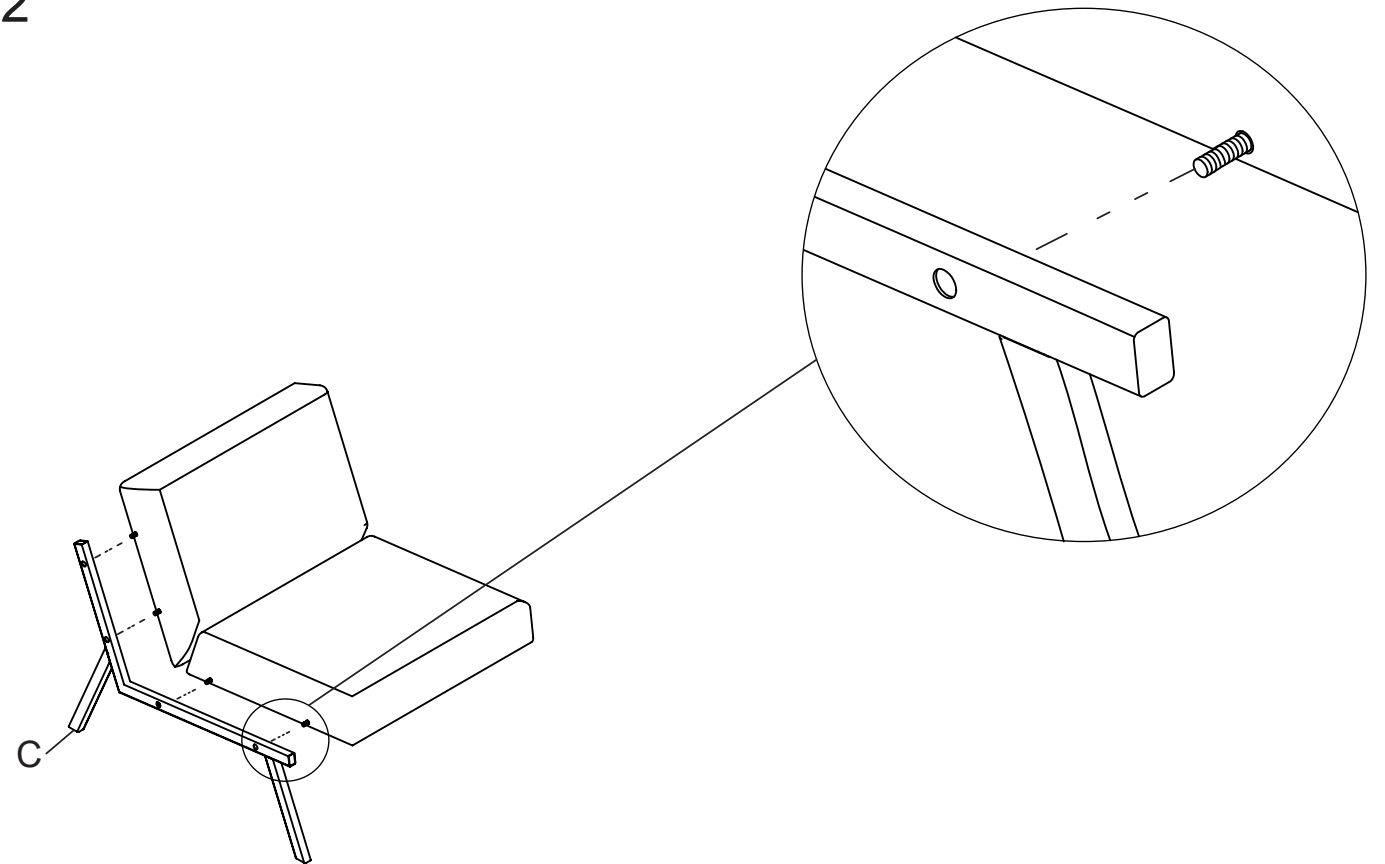
D x 1

1


② x 8 

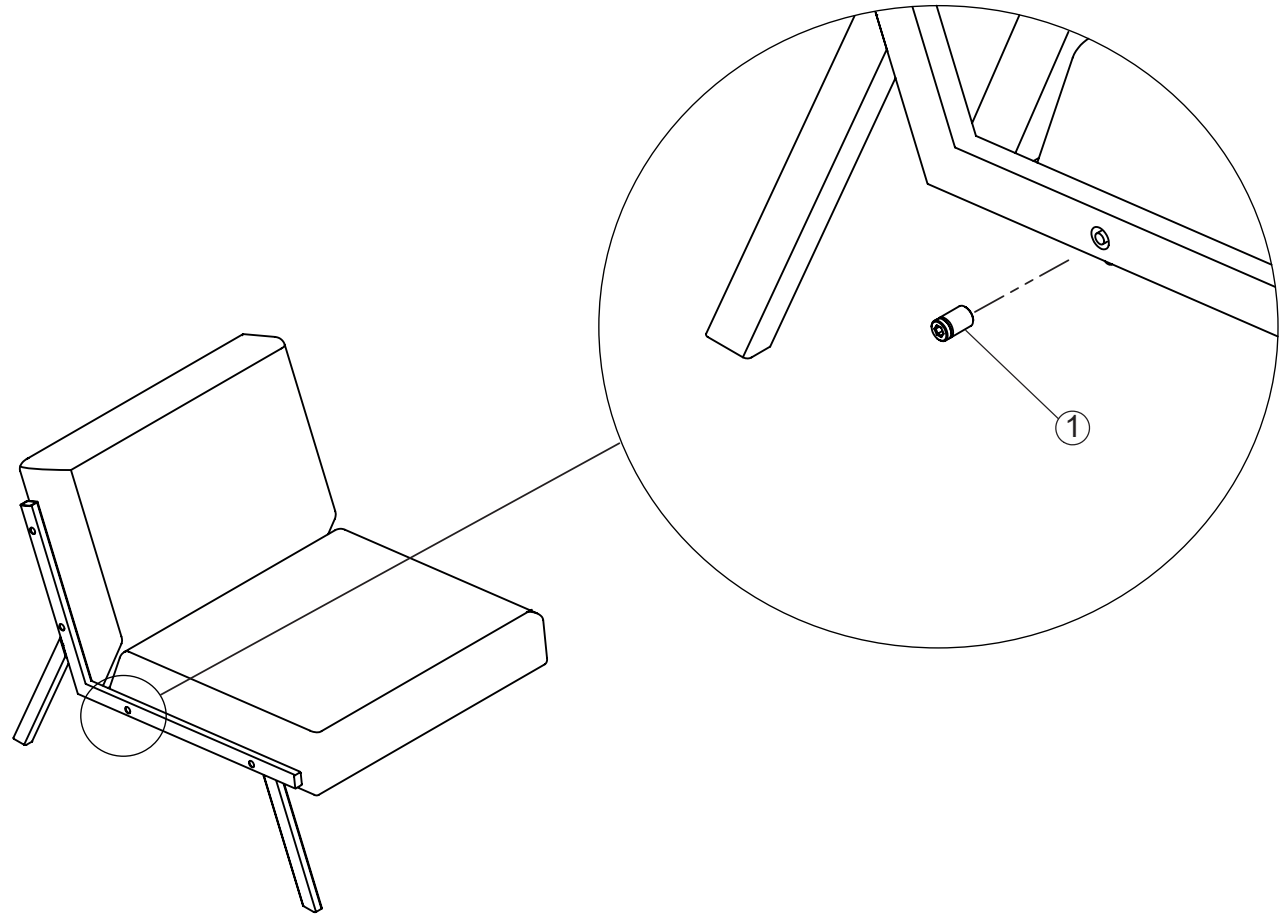


2



3

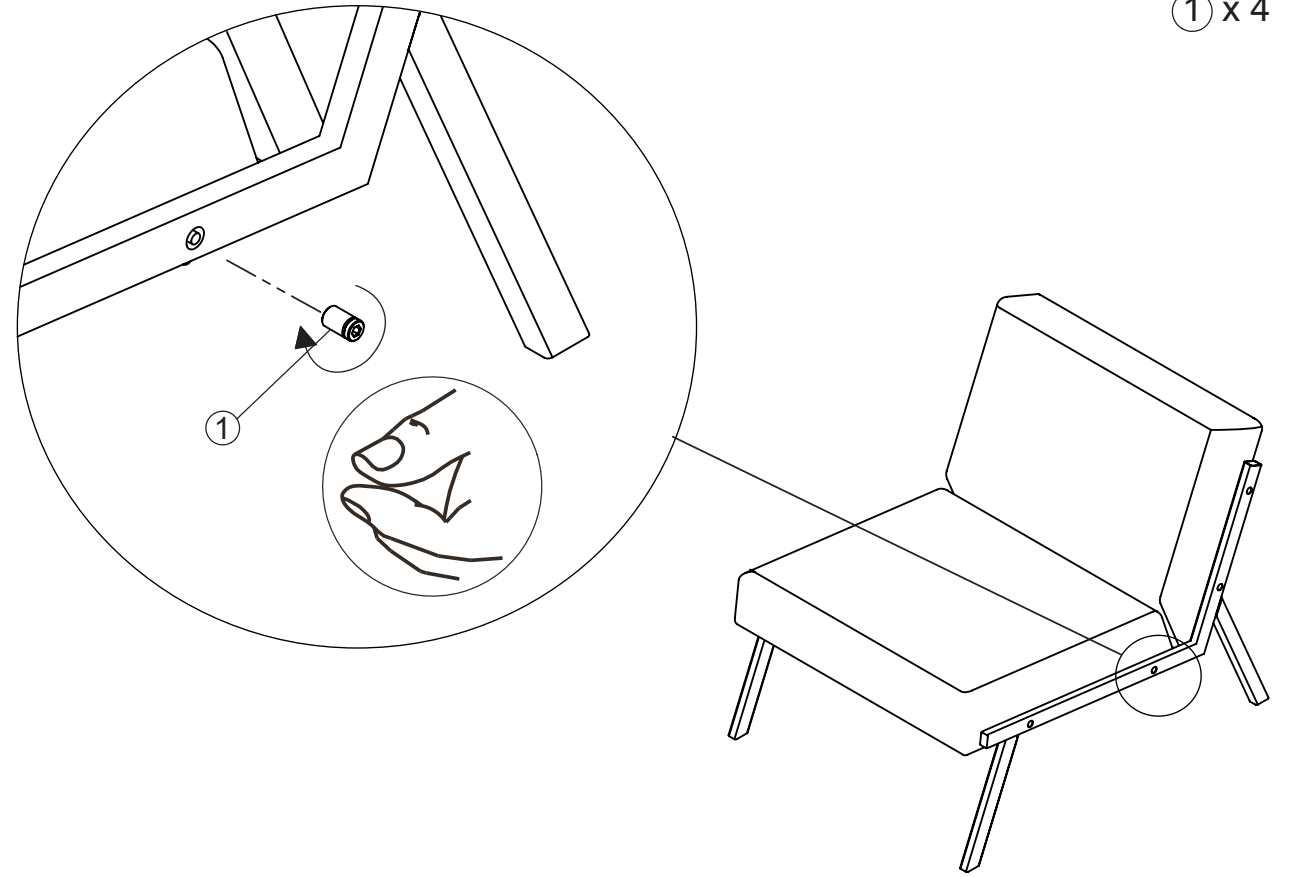
① x 4 



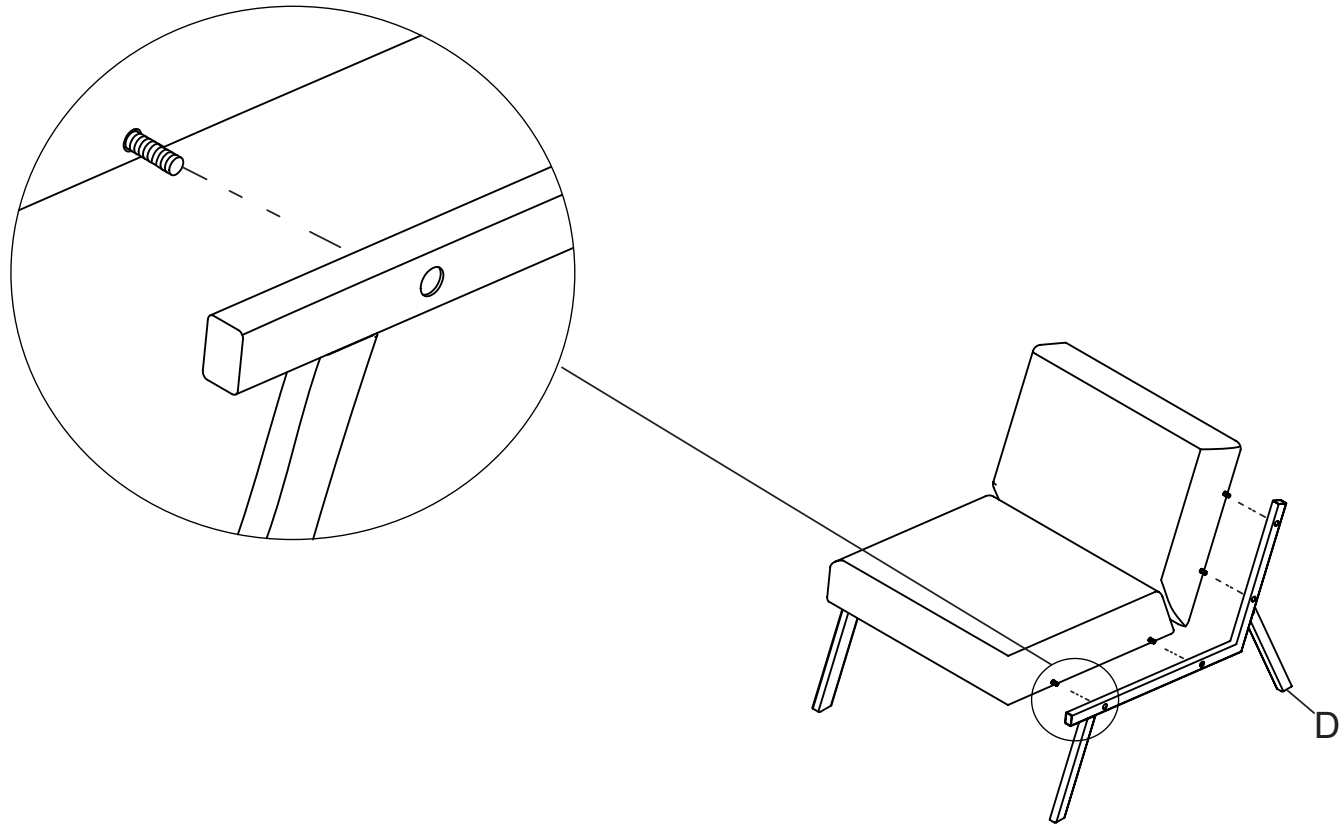
068007

5

① x 4 



4



6

