
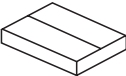




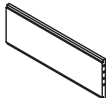


Kave® Cares

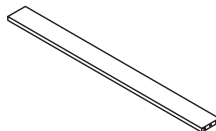
			
45 min	x2	x2	x1



1 x1



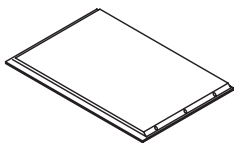
2 x1



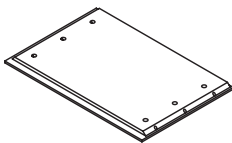
3 x1



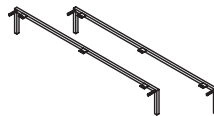
4 x1



5 x1



6 x1



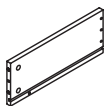
7 x1



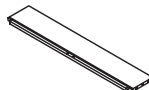
8 x1



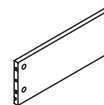
9 x5



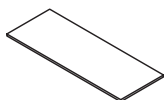
10 x5



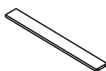
11 x5



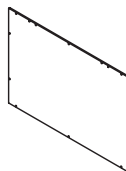
12 x5



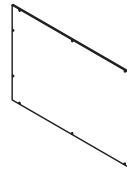
13 x5



14 x5



15 x1



16 x1



**A x1**  
M4



**B x36**  
ø15x12mm



**C x12**  
M6x45mm



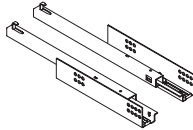
**D x12**  
ø6x80mm



**E x8**  
ø8x30mm



**F x44**  
ø3,5x16mm



**G x5**



**H x8**  
M6x10mm



**I x4**  
M6x15mm



**J x20**  
ø6x25mm



**K x60**



**L x60**  
M6x43mm



**M x4**



**N x4**  
ø3,5x50mm



**O x4**



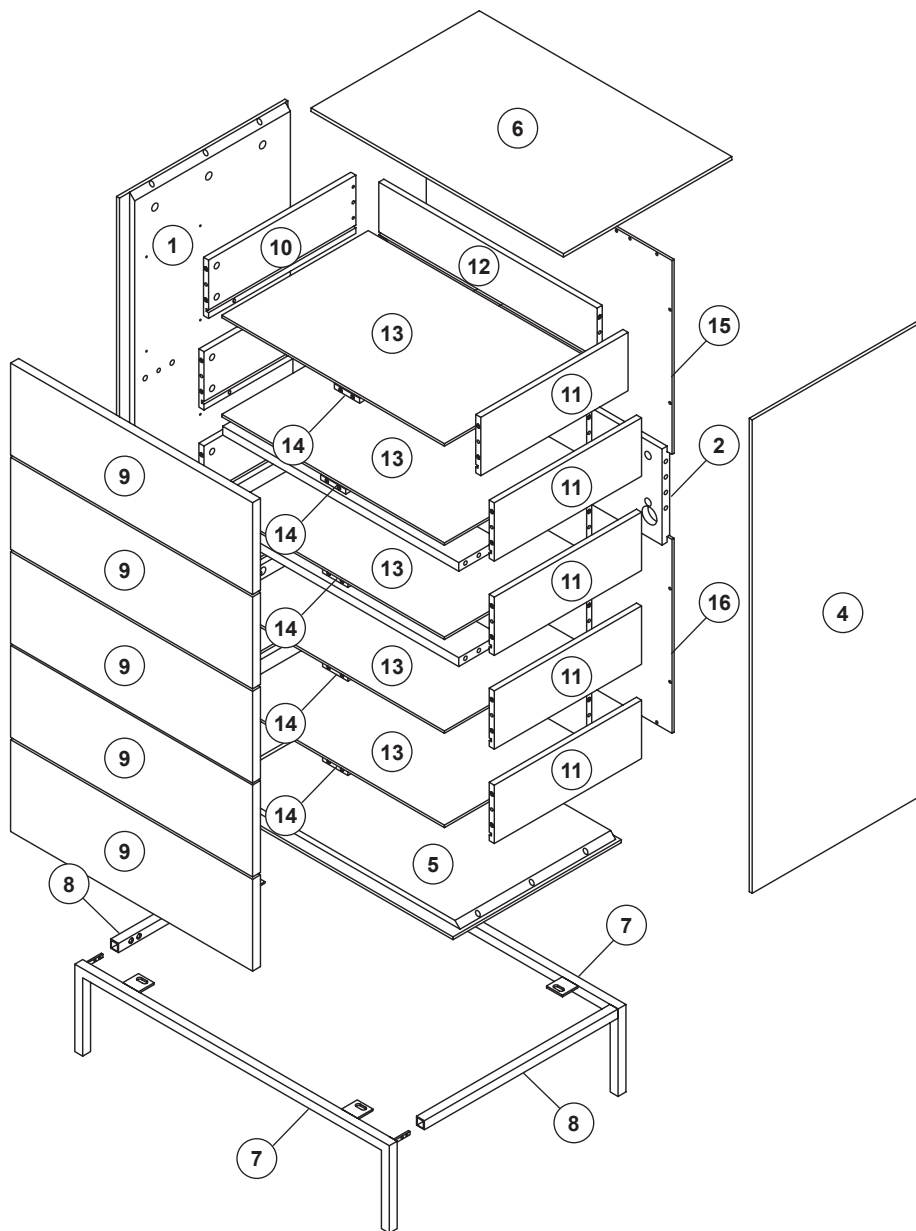
**P x2**



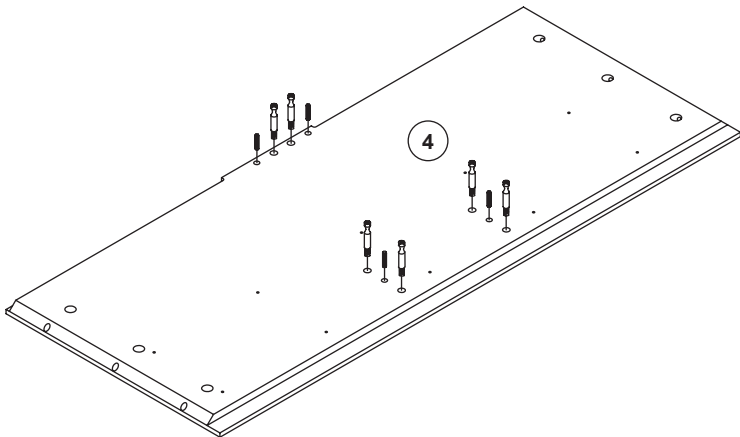
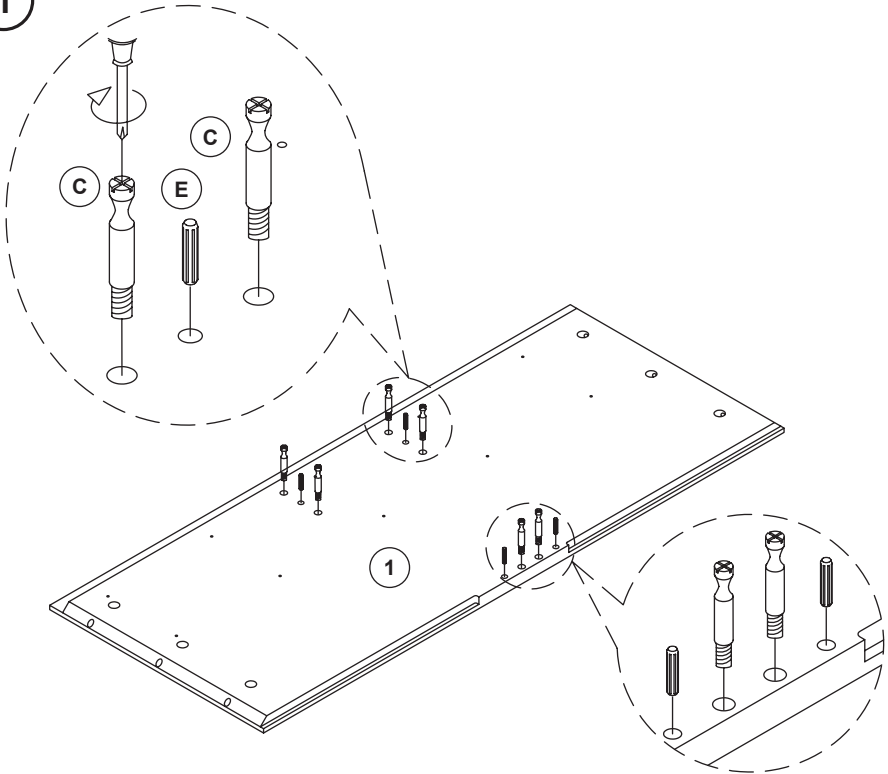
**Q x20**



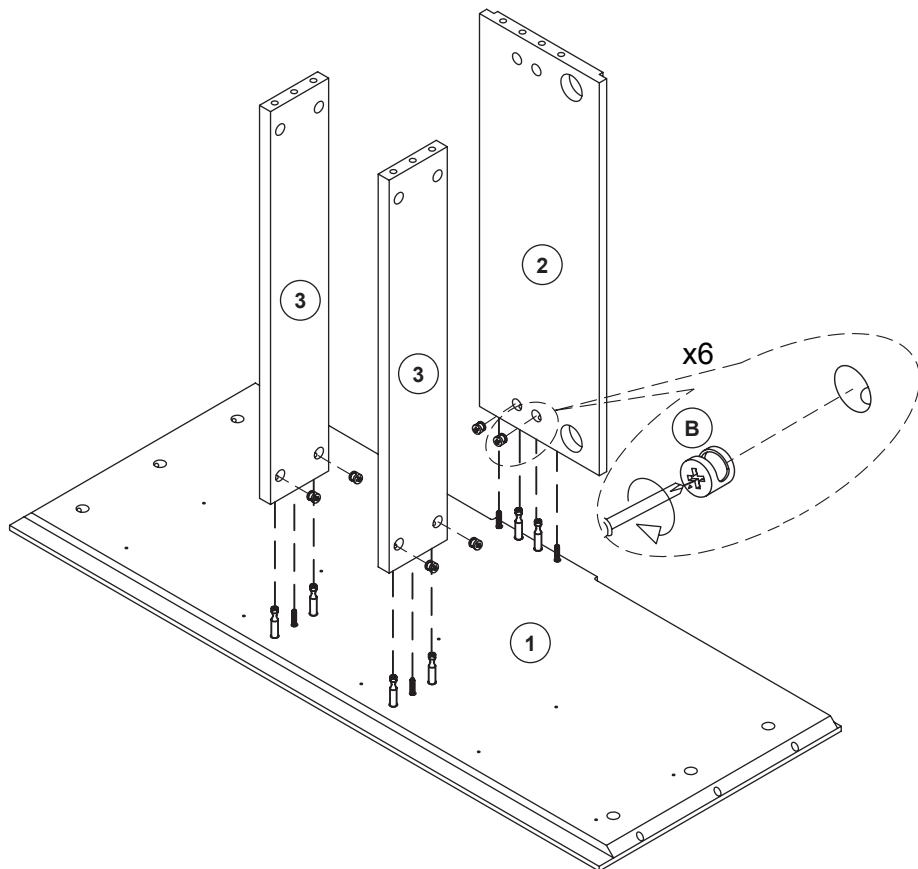
**R x20**  
ø3,5x20mm



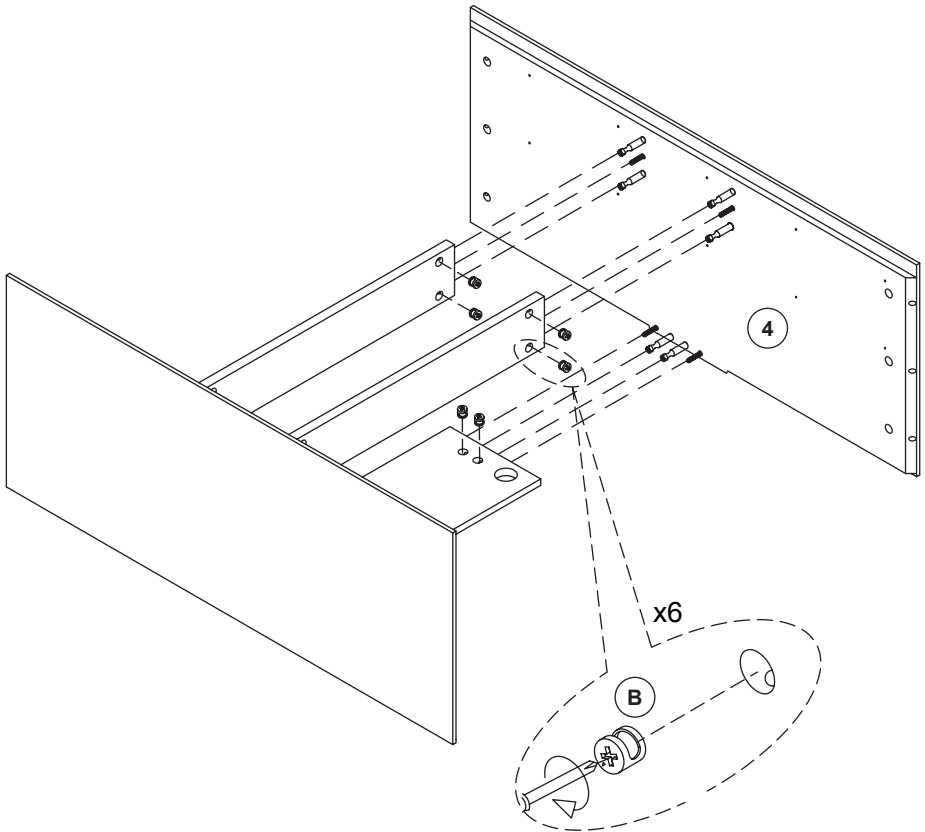
1



2

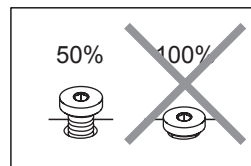
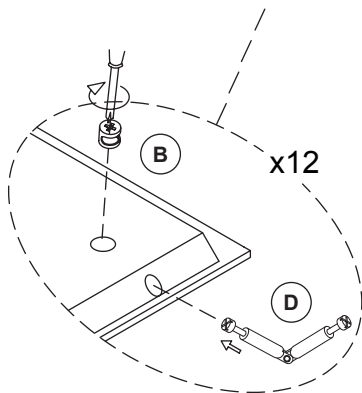
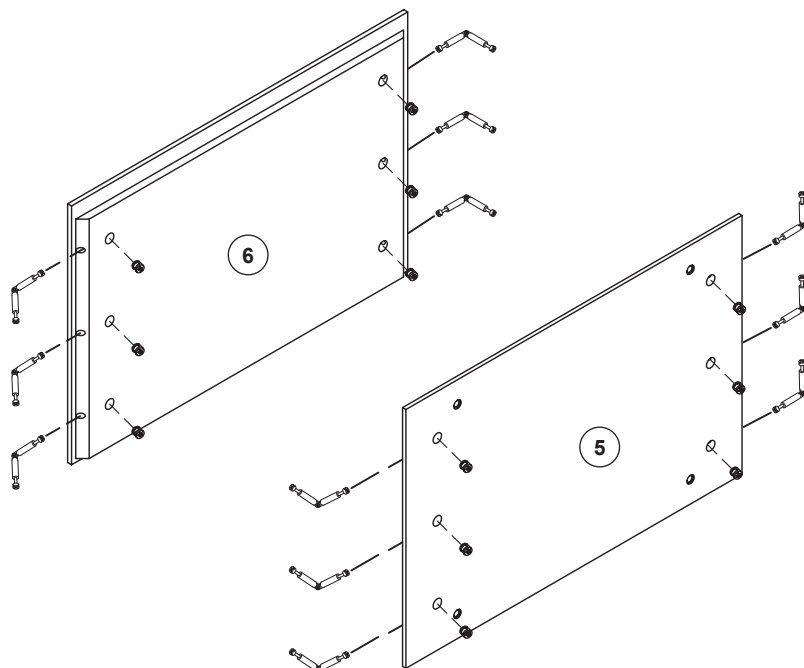


3

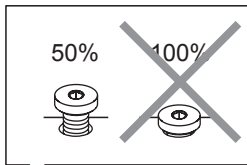
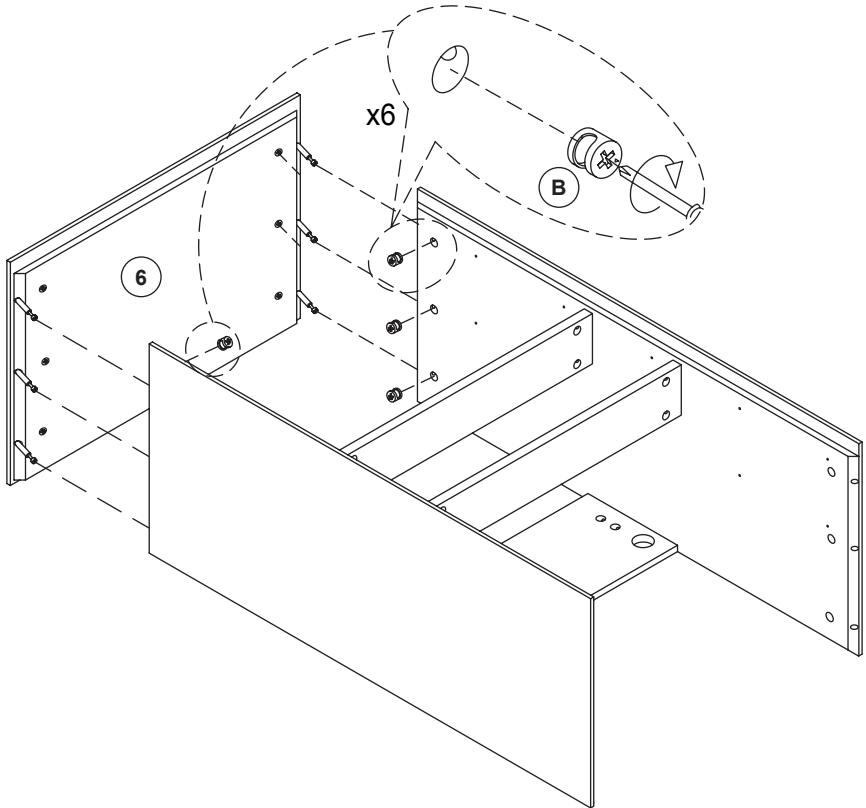




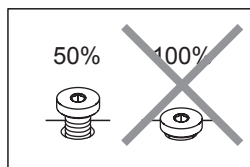
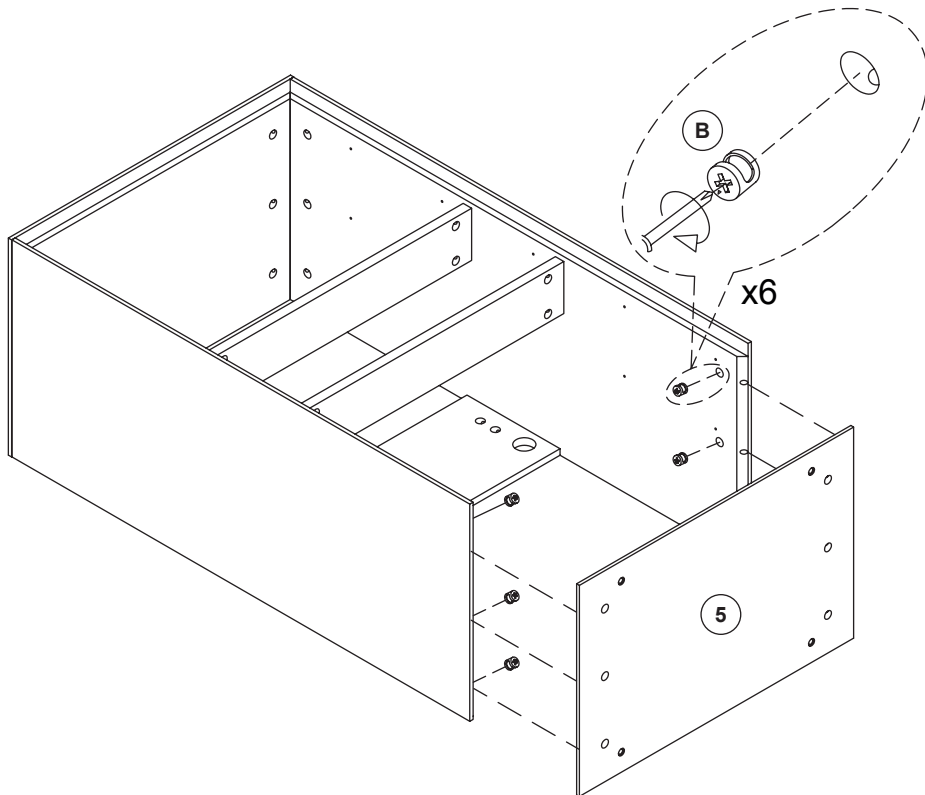
4



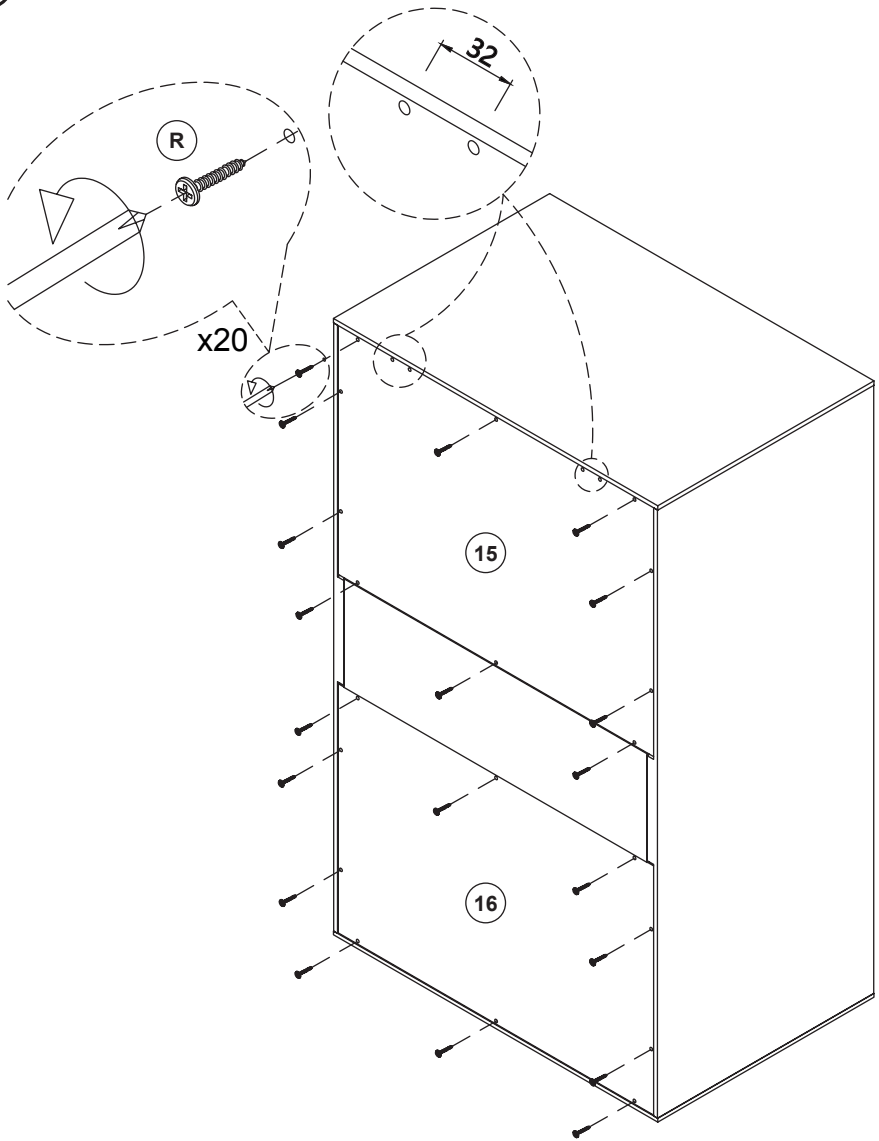
5



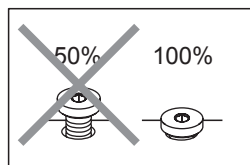
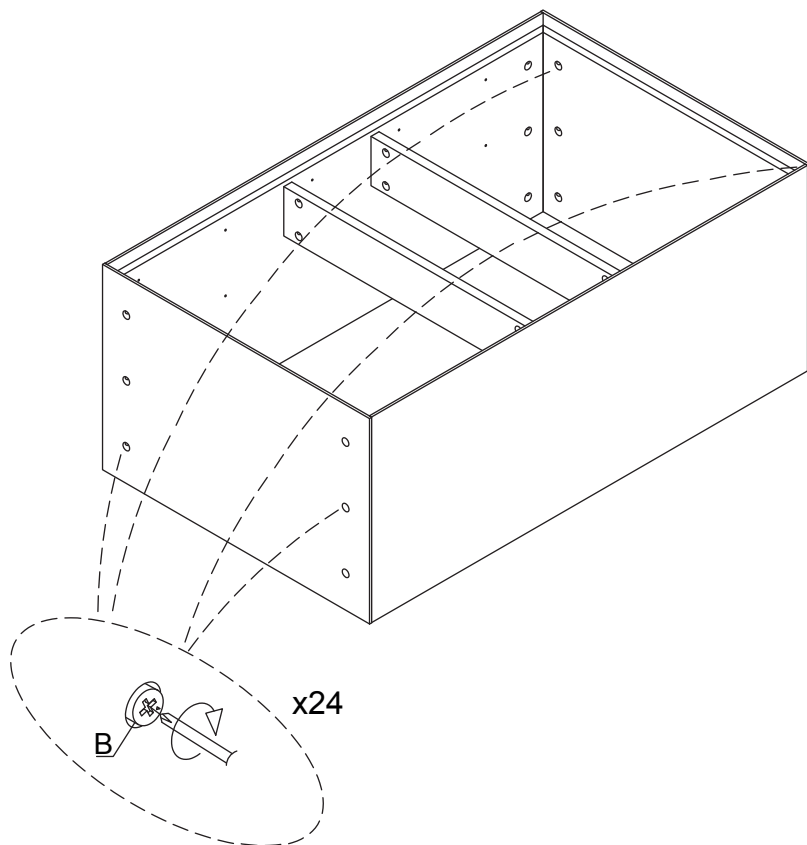
6



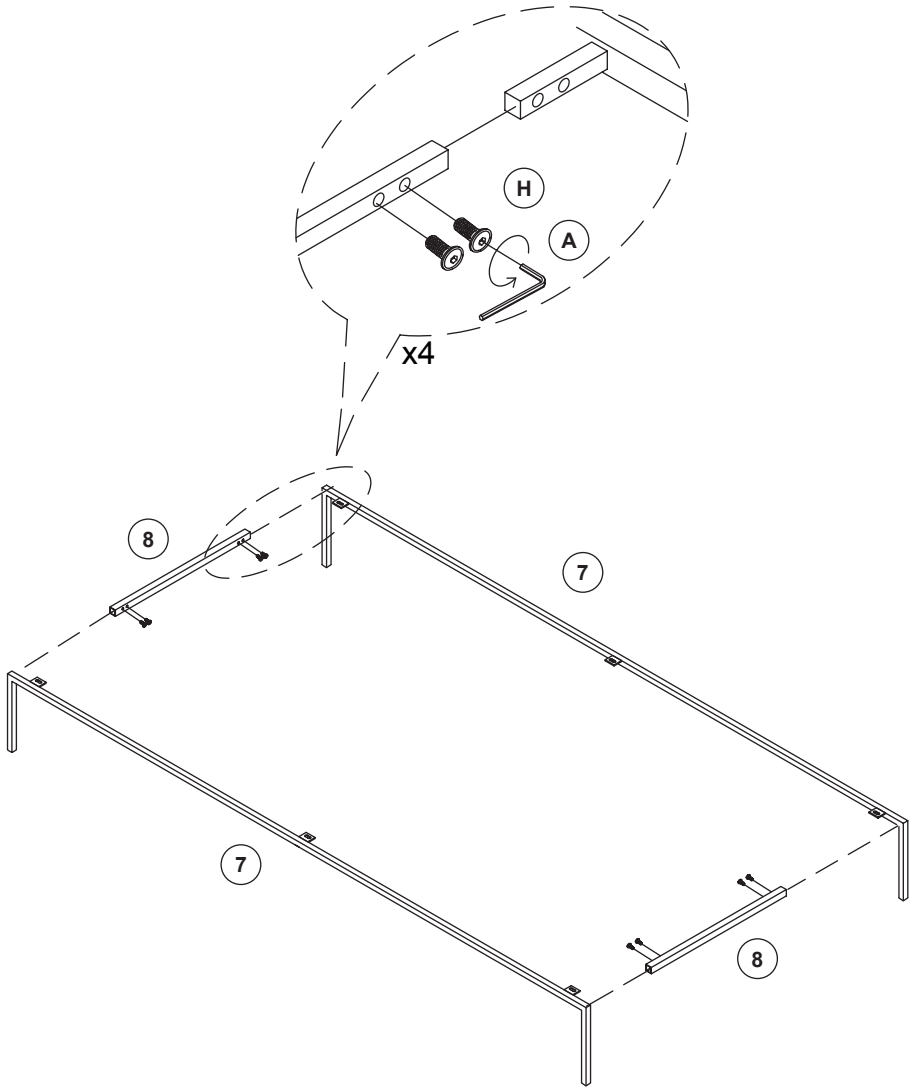
7



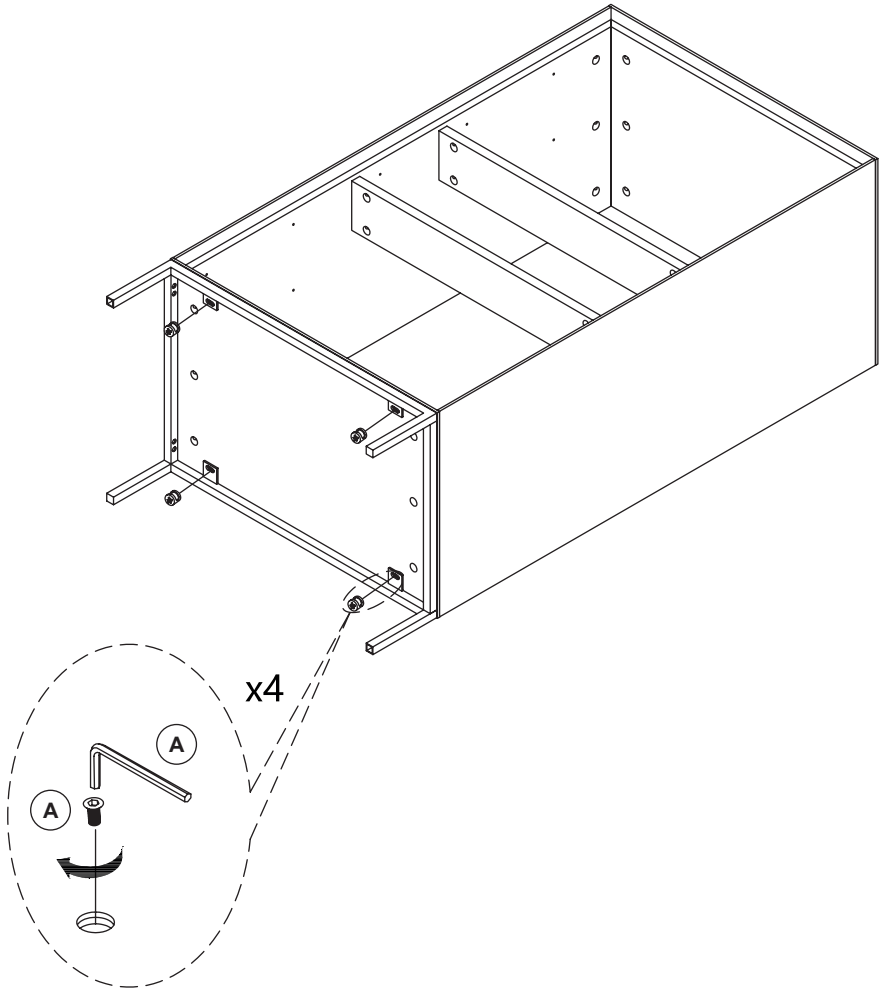
8



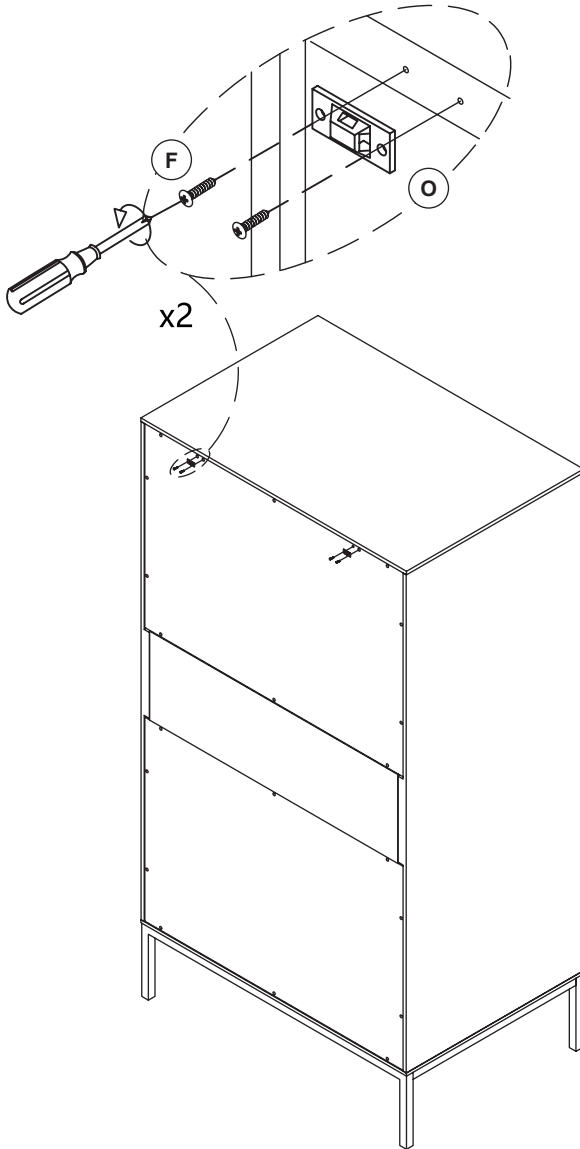
9



10

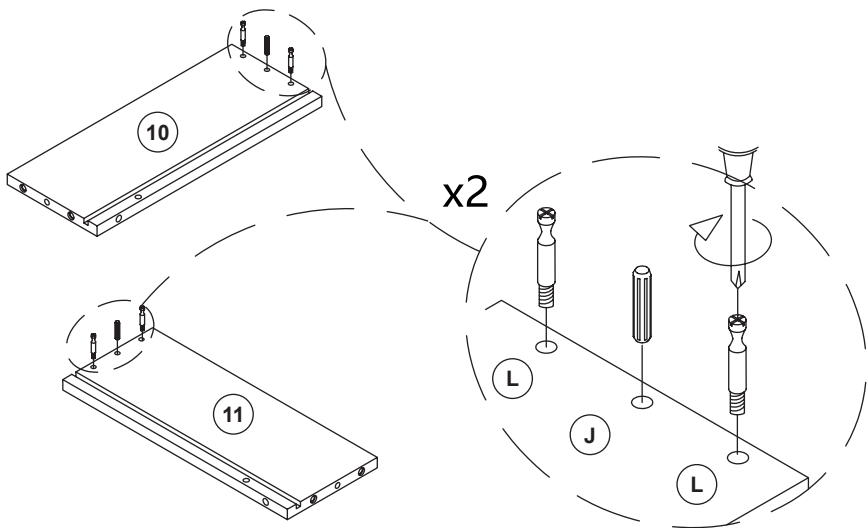


11





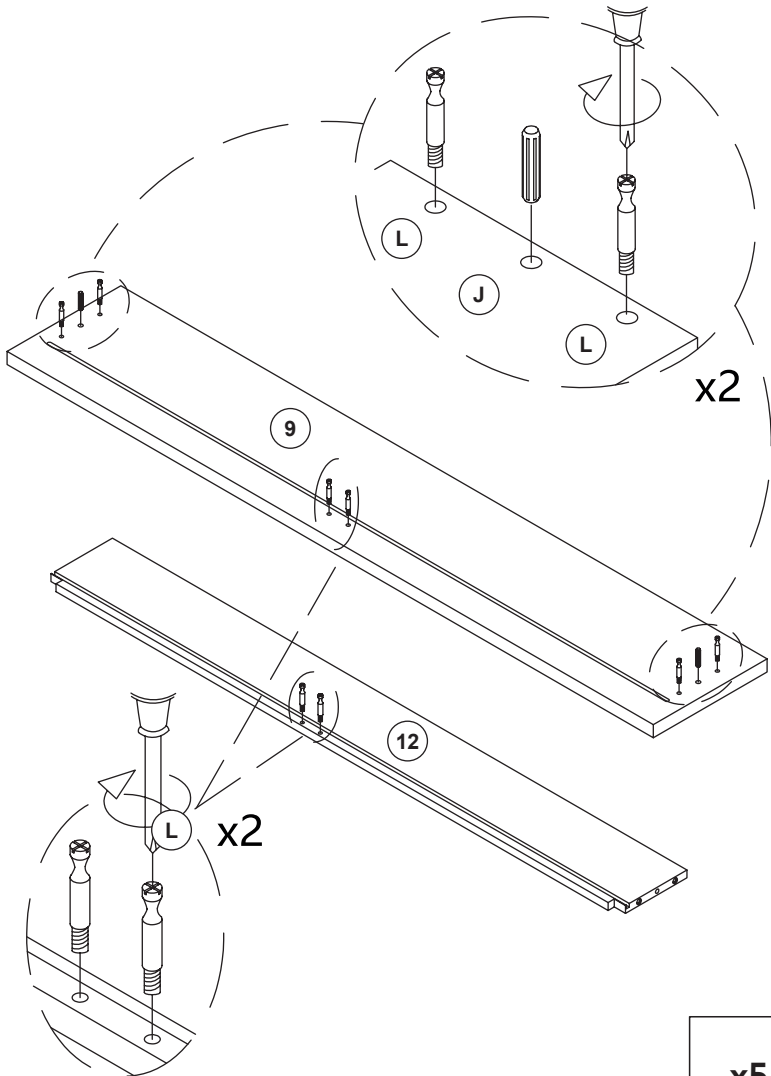
12



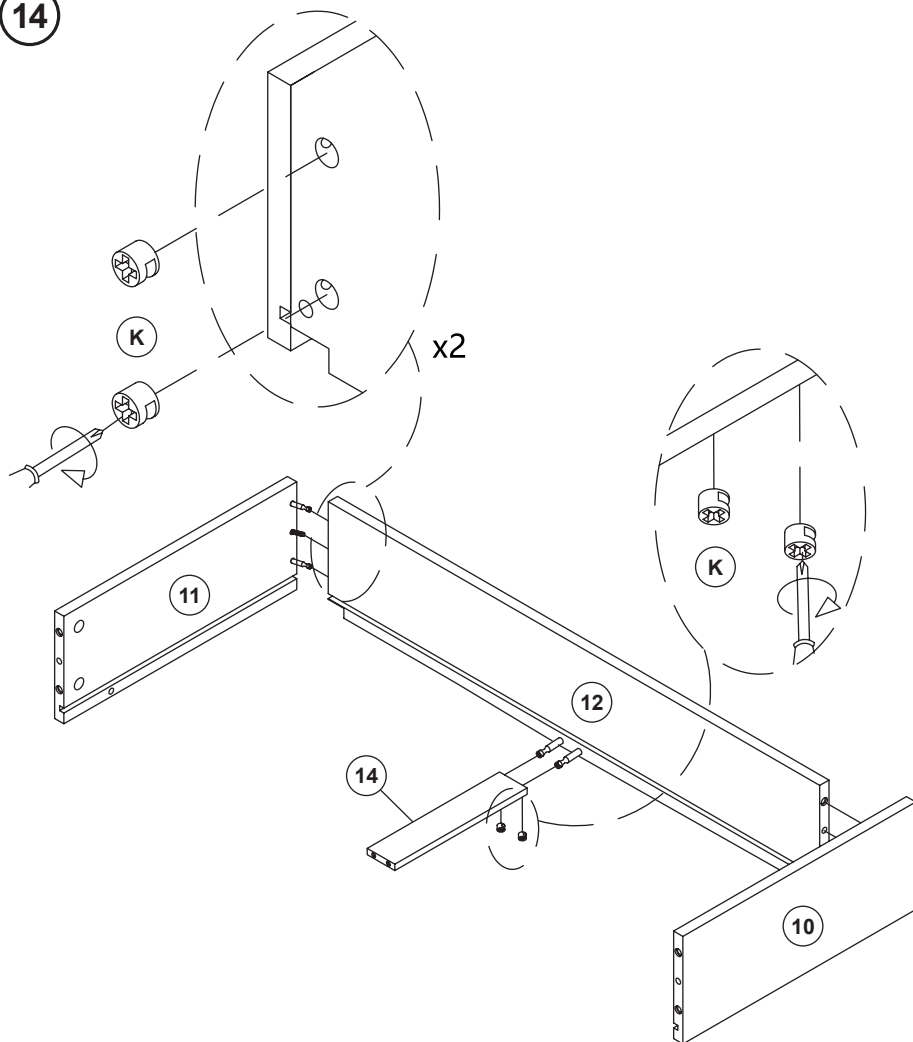
x5



13



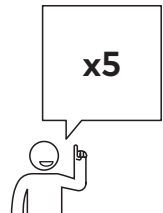
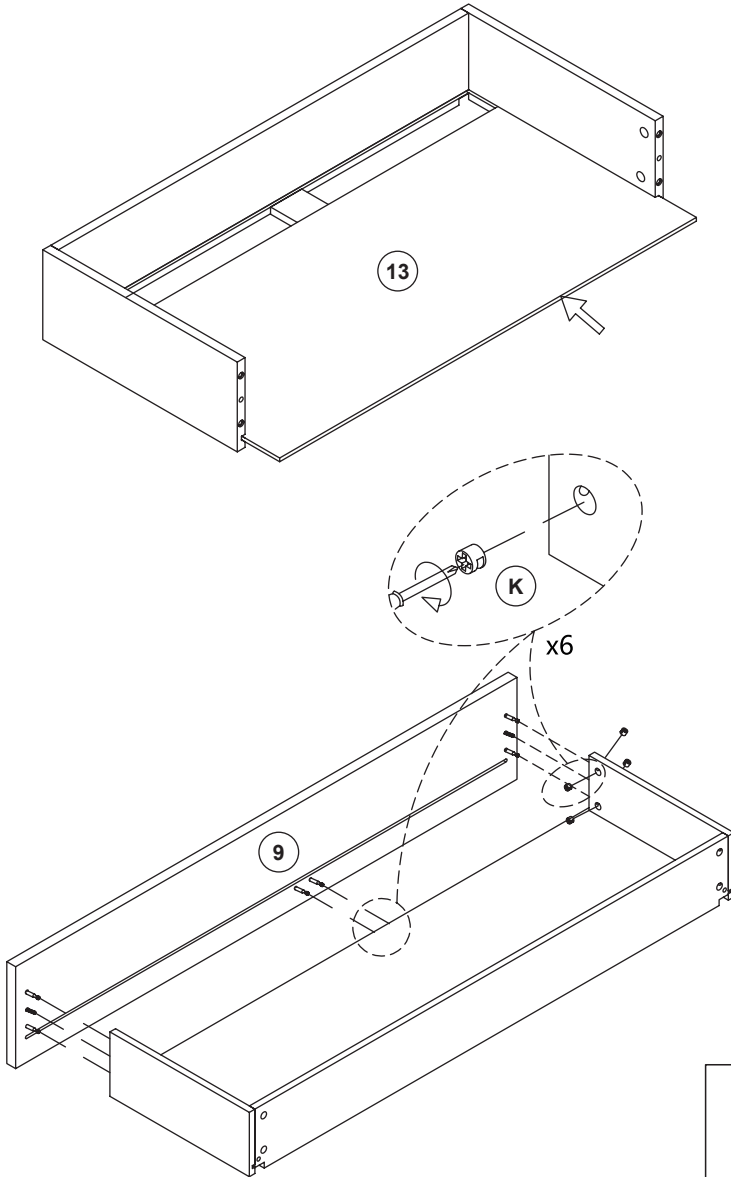
14



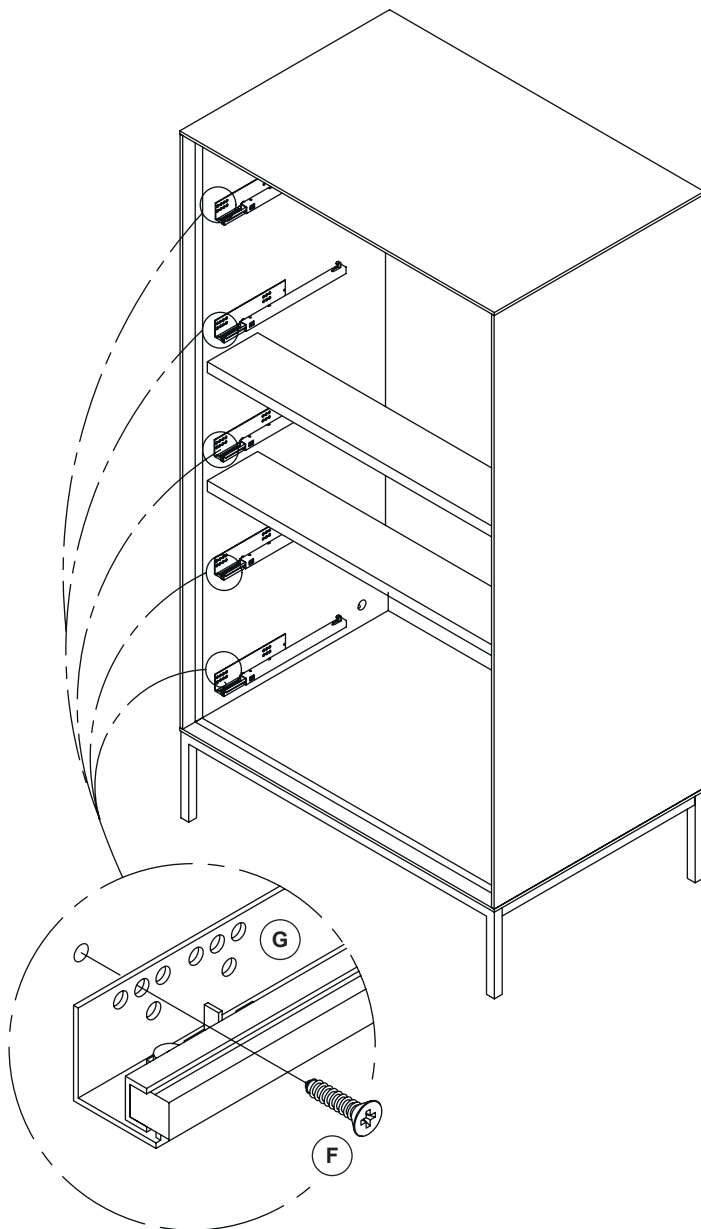
x5



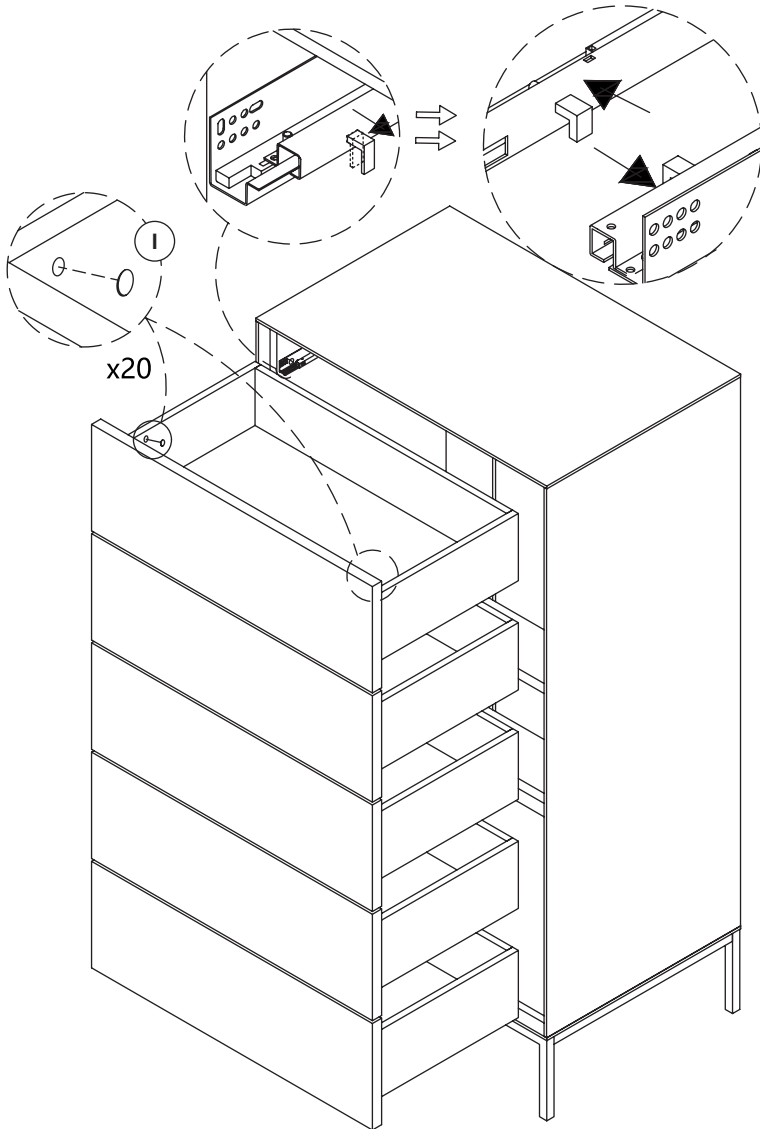
15



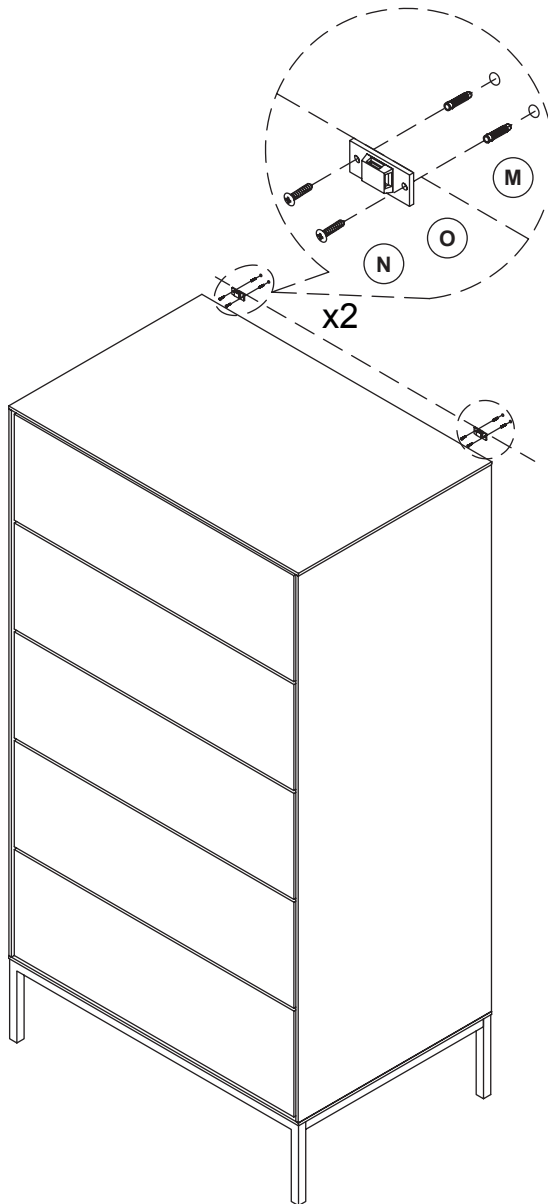
16



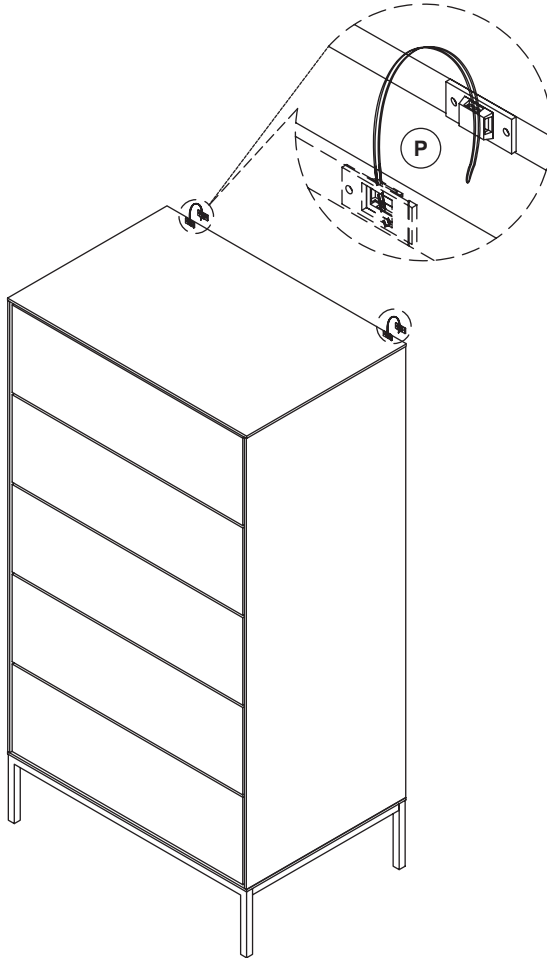
17



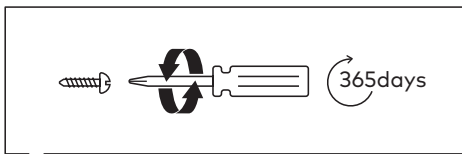
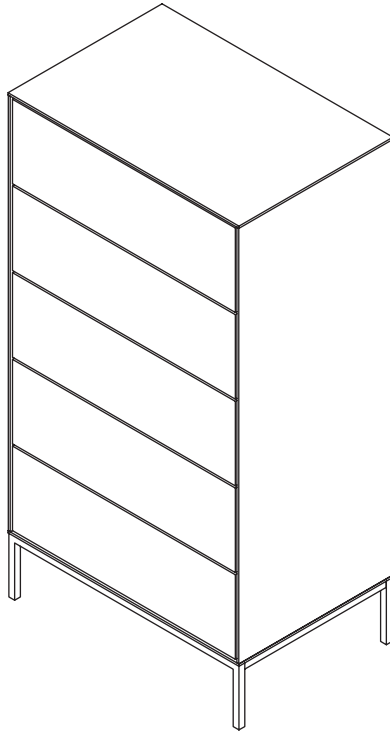
18



19













**THAT'S ALL FOLKS**

Share your style!

#KaveHome

