

A x 1

B x 2

C x 2

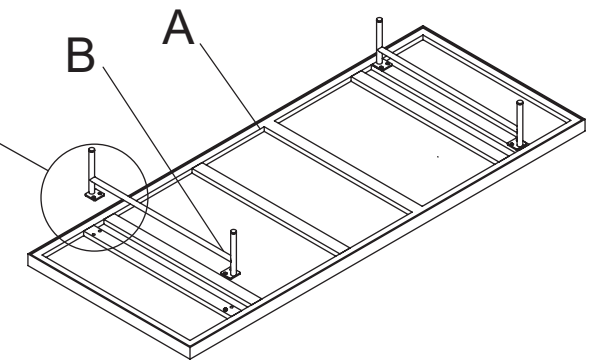
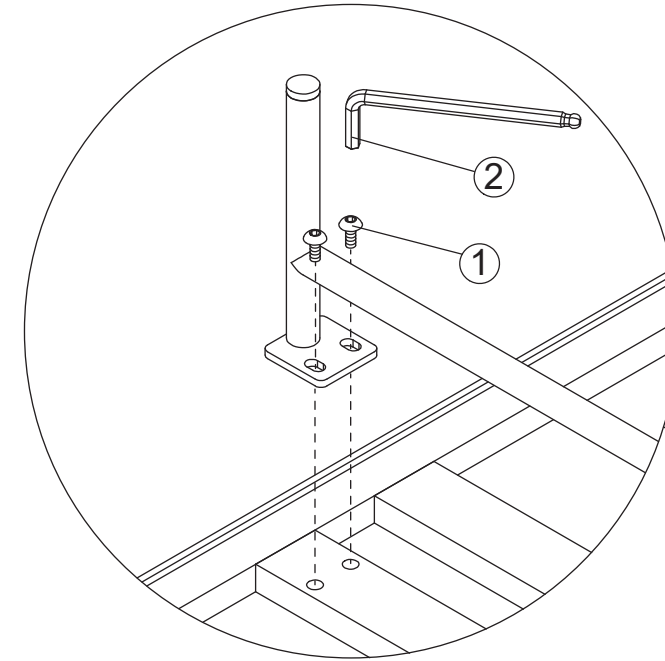
D x 1

E x 1



068021

1



1 x 8

2

