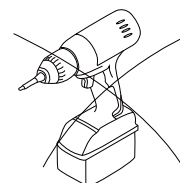
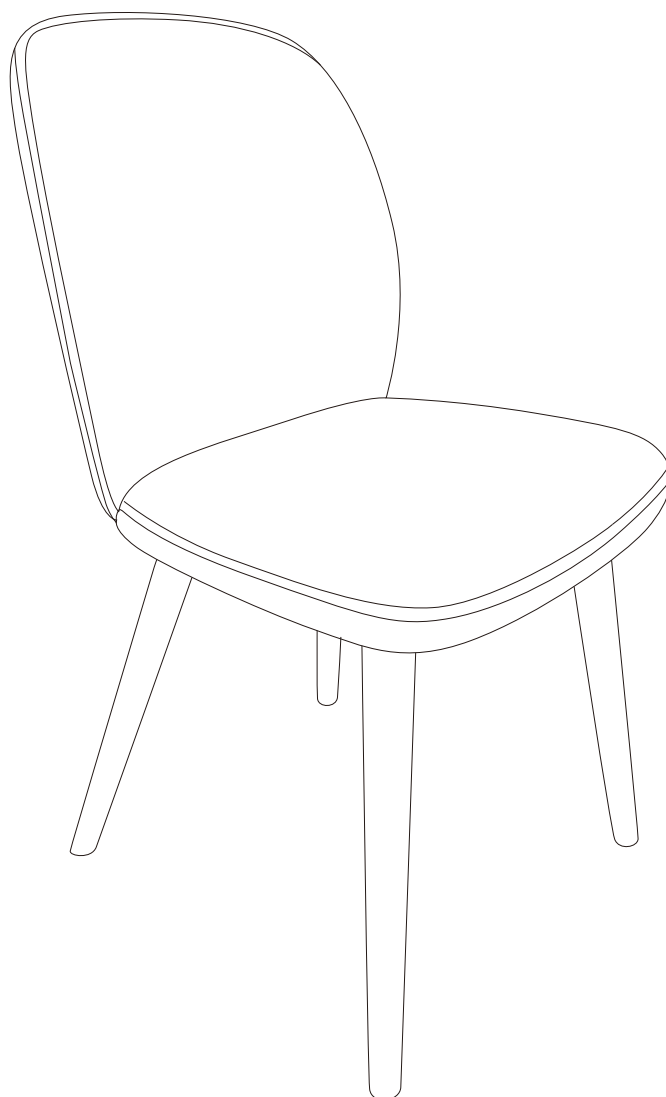
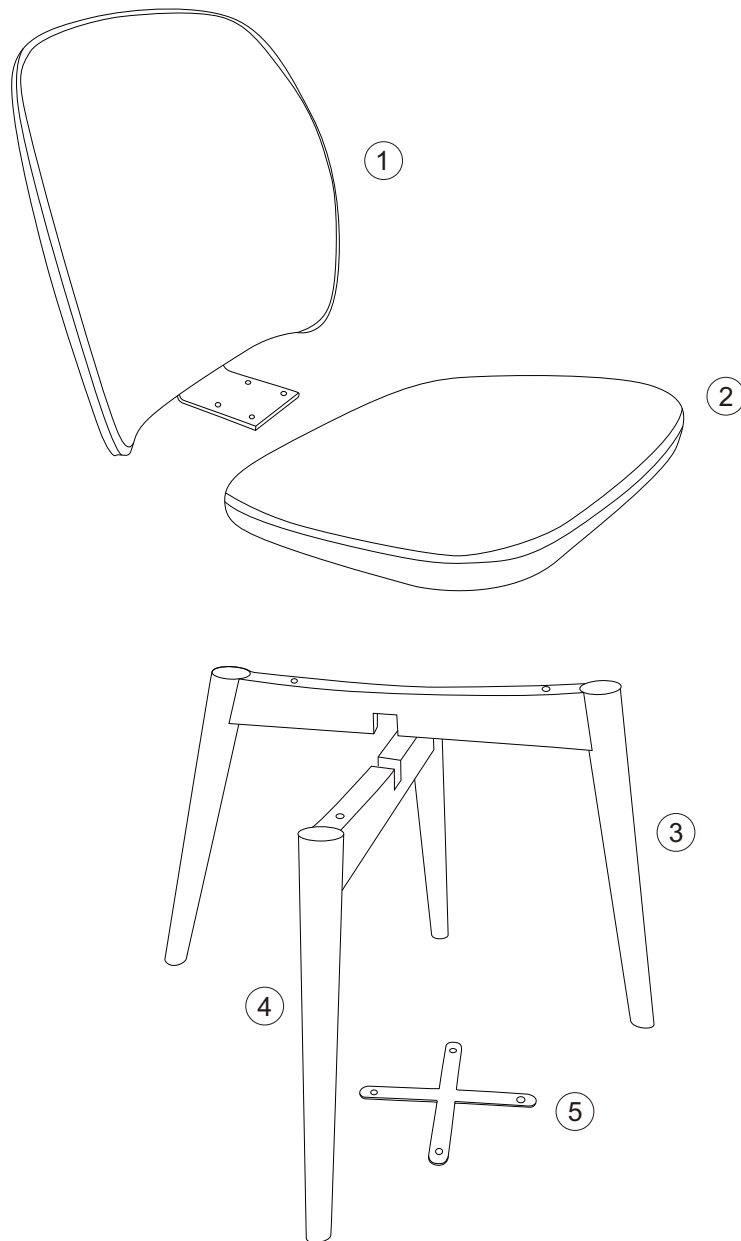
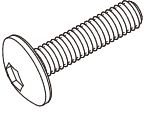
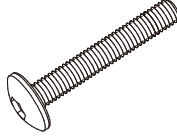
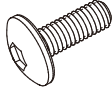
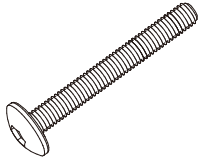



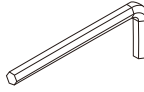


CINDY

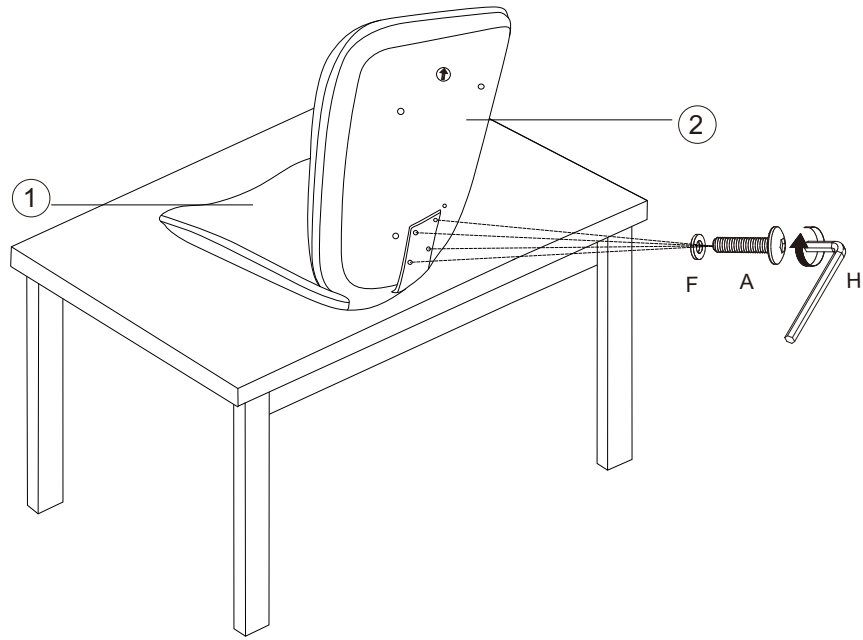
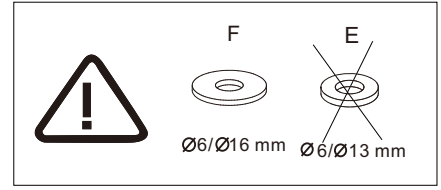
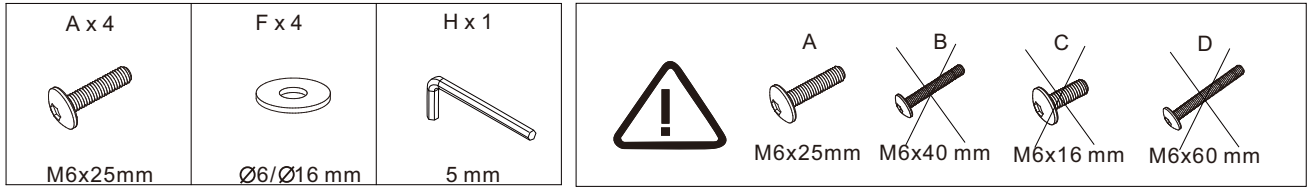


			✓
①	1	515x465x150	
②	1	460x490x80	
③	1	440x670x43	
④	1	440x670x43	
⑤	1	110x110x2	

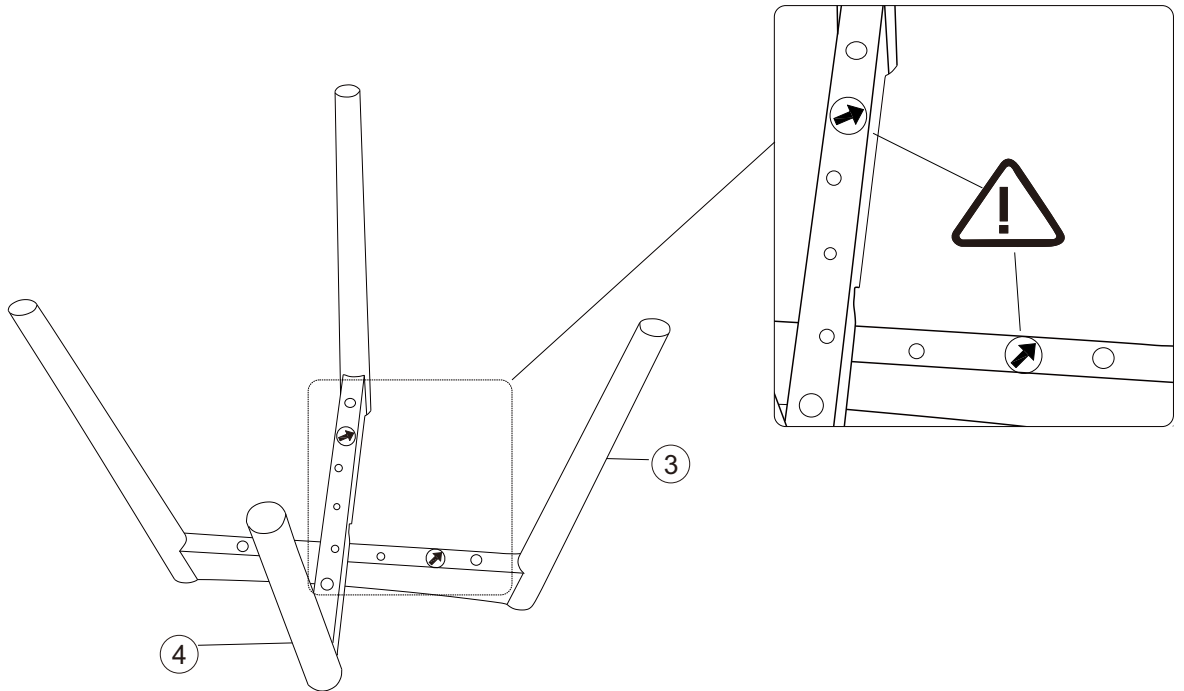


<p>A x 4</p>  <p>M6x25 mm</p>	<p>B x 1</p>  <p>M6x40 mm</p>	<p>C x 4</p>  <p>M6x16 mm</p>	<p>D x 4</p>  <p>M6x60 mm</p>	<p>E x 4</p>  <p>Ø6/Ø13 mm</p>
<p>F x 9</p>  <p>Ø6/Ø16 mm</p>	<p>G x 4</p>  <p>Ø25x5 mm</p>	<p>H x 1</p>  <p>5 mm</p>		

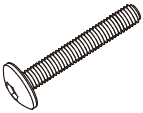

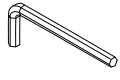
1










2

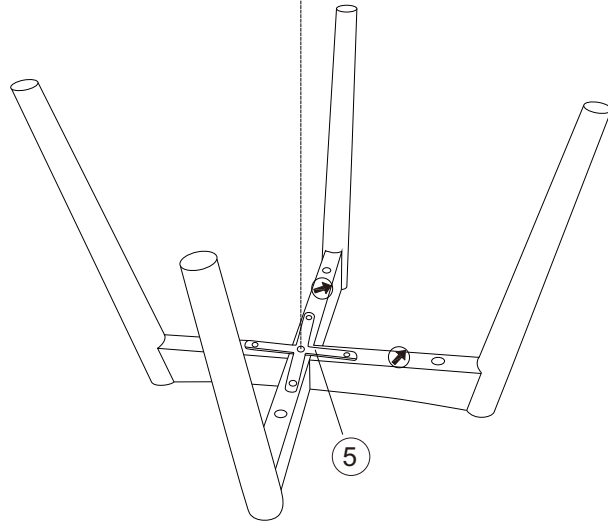
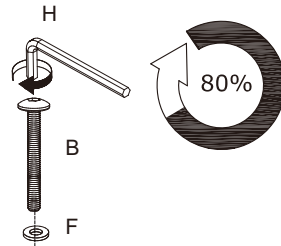


3




B x 1  M6x40mm	F x 1  Ø6/Ø16 mm	H x 1  5 mm
---	---	--




	F  Ø6/Ø16 mm	E  Ø6/Ø13 mm
--	---	--




	B  M6x40 mm	C  M6x16 mm	D  M6x60 mm
---	--	---	---

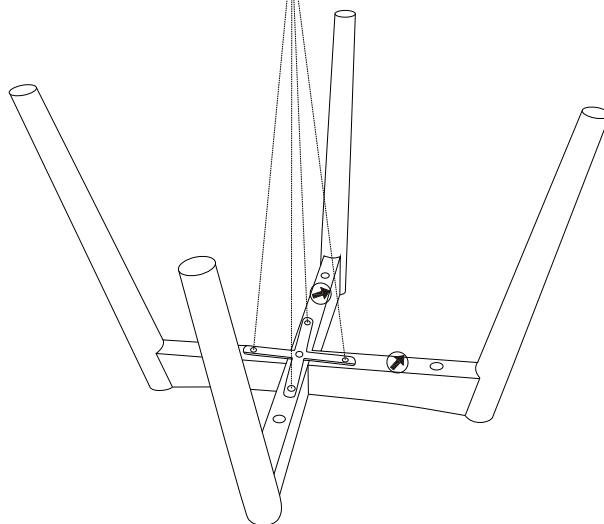
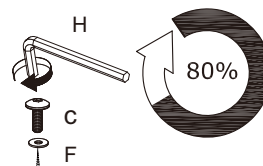


4

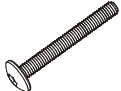

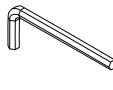
C x 4  M6x16 mm	F x 4  Ø6/Ø16 mm	H x 1  5 mm
--	---	--

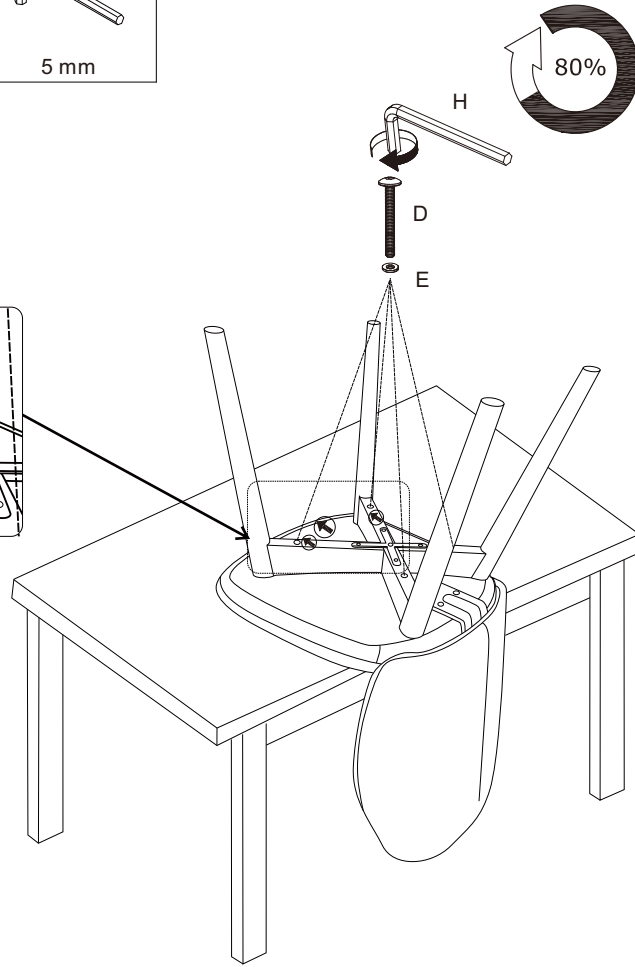
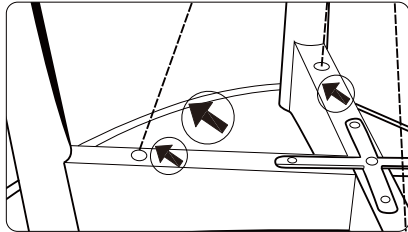
	C  M6x16 mm	D  M6x60 mm
---	--	---

	F  Ø6/Ø16 mm	E  Ø6/Ø13 mm
---	---	--


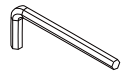


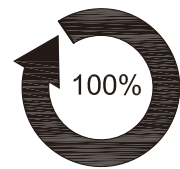
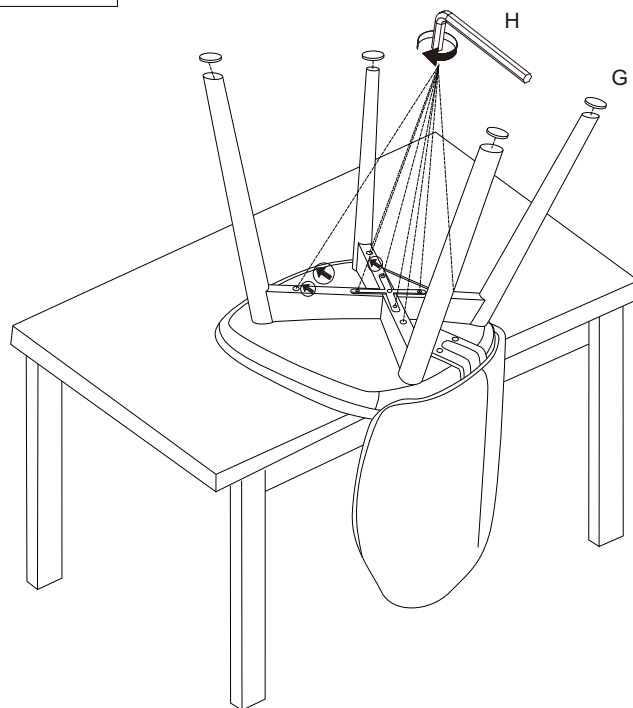
5

D x 4  M6x60 mm	E x 4  Ø6/Ø13 mm	H x 1  5 mm
--	---	--



6

G x 4  Ø25x5 mm	H x 1  5 mm
--	--



B x 1
C x 4
D x 4

7

