
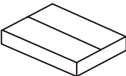


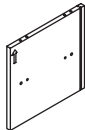
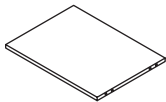


Kave® Cares

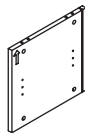
			
45 min	x1	x2	x1



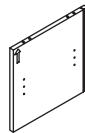
**A** x1



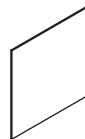
**B** x1



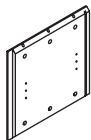
**C** x1



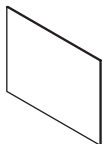
**D** x1



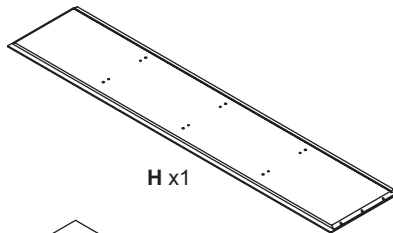
**E** x1



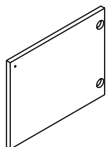
**F** x1



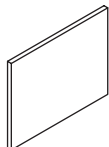
**G** x4



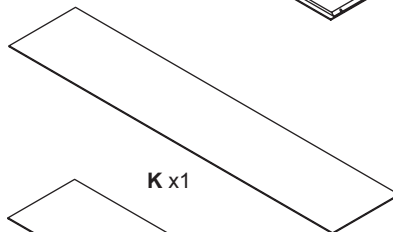
**H** x1



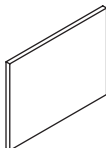
**I** x1



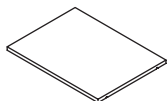
**J** x1



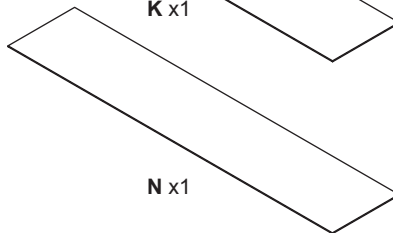
**K** x1



**L** x1



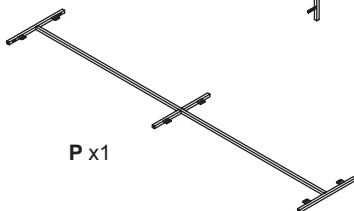
**M** x3



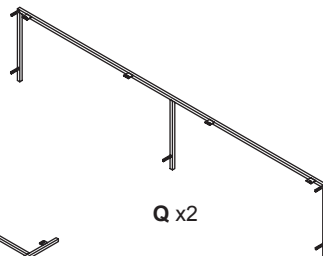
**N** x1



**O** x2



**P** x1



**Q** x2



**R x1**  
M4



**S x40**  
ø15x12mm



**T x16**  
M6x45mm



**U x12**  
ø6x80mm



**V x16**  
ø8x30mm



**W x53**  
ø3,5x16mm



**X x4**



**Y x2**



**Z x13**



**AA x12**  
ø5x14mm



**AB x3**



**AC x26**  
M6x10mm



**AD x8**  
M6x15mm



**AE x4**



**AF x4**  
ø3,5x50mm



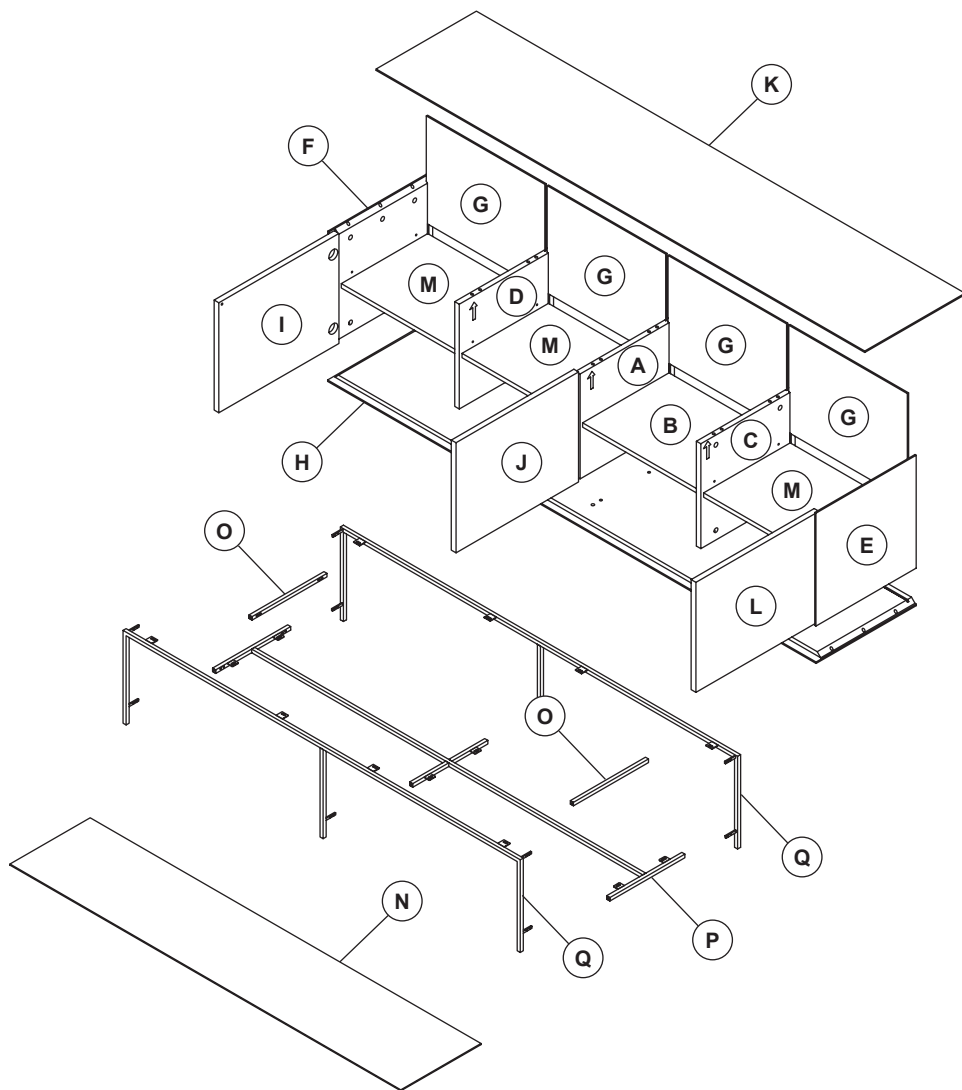
**AG x4**



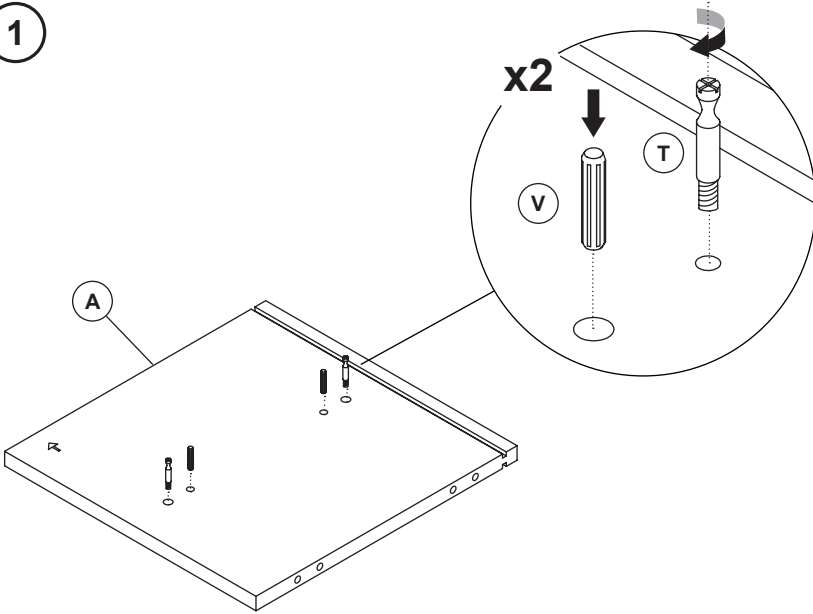
**AH x2**



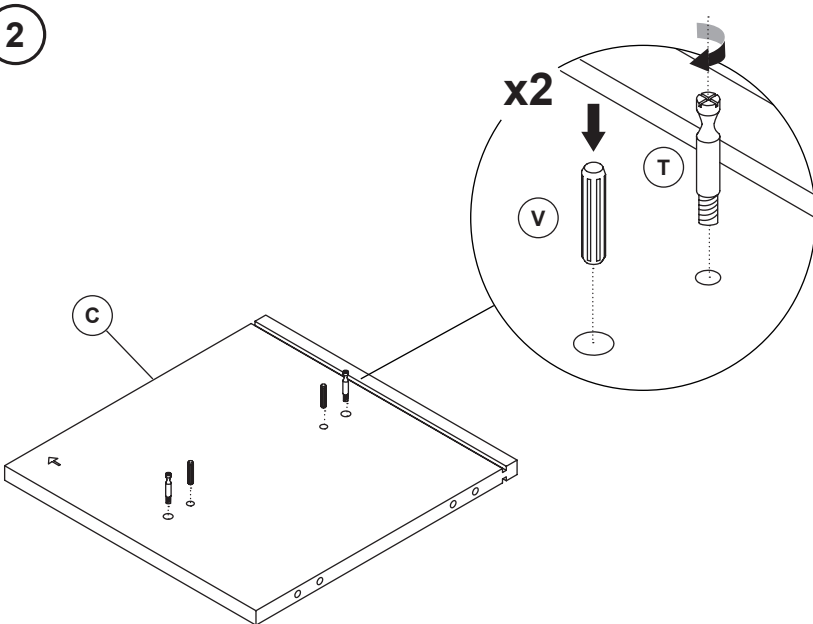
**AI x28**



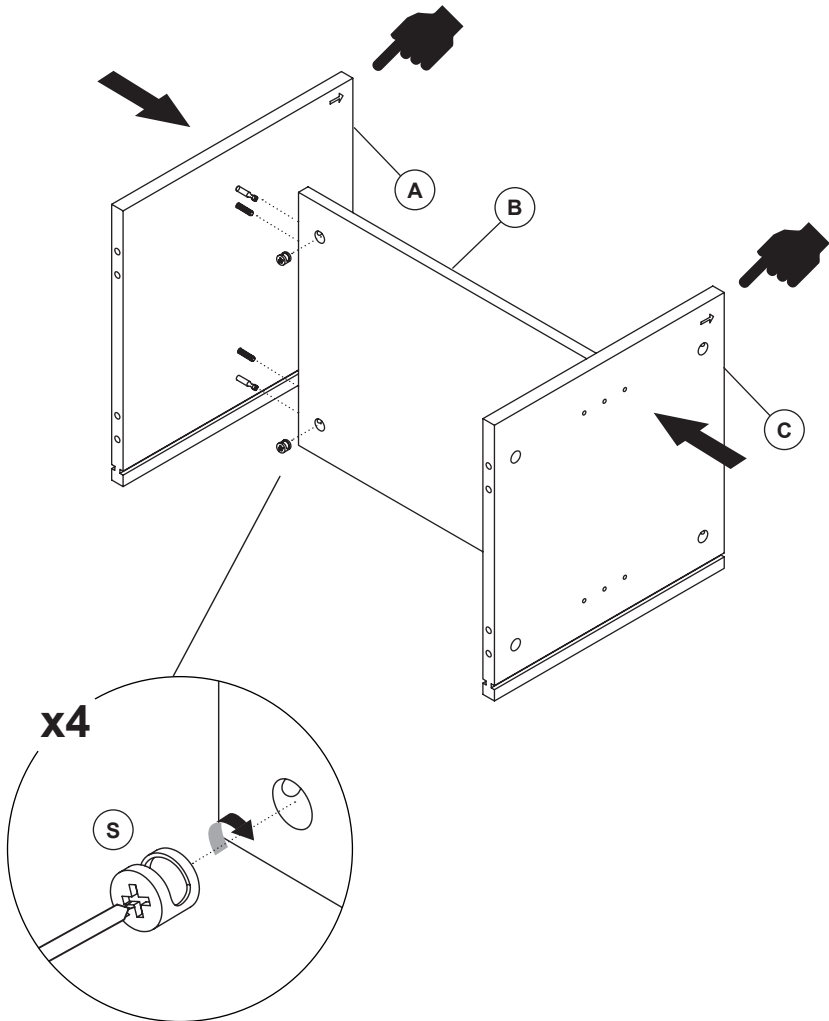
1



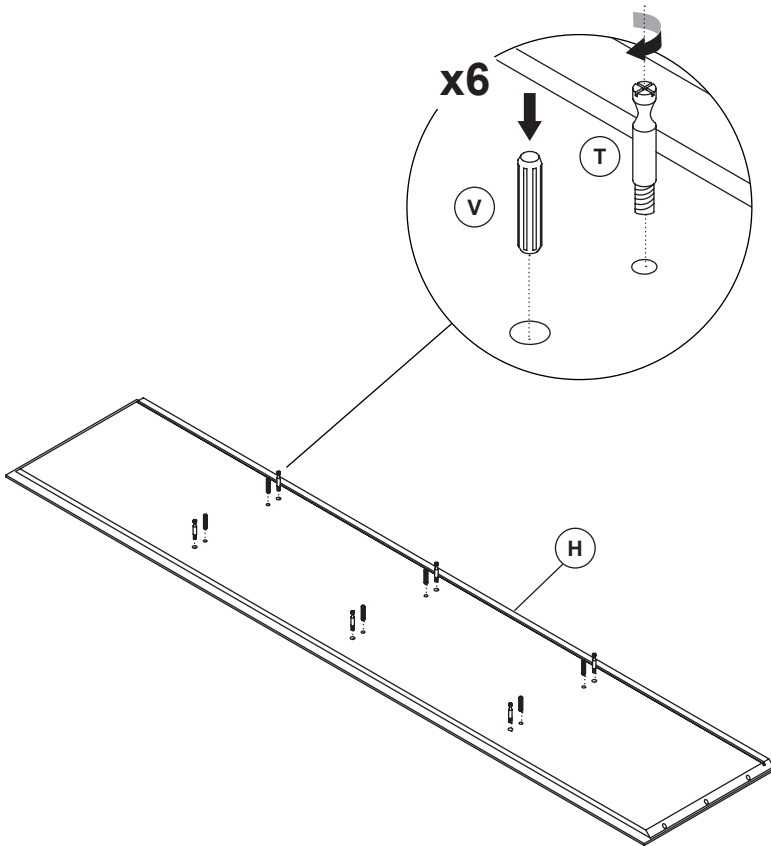
2



3

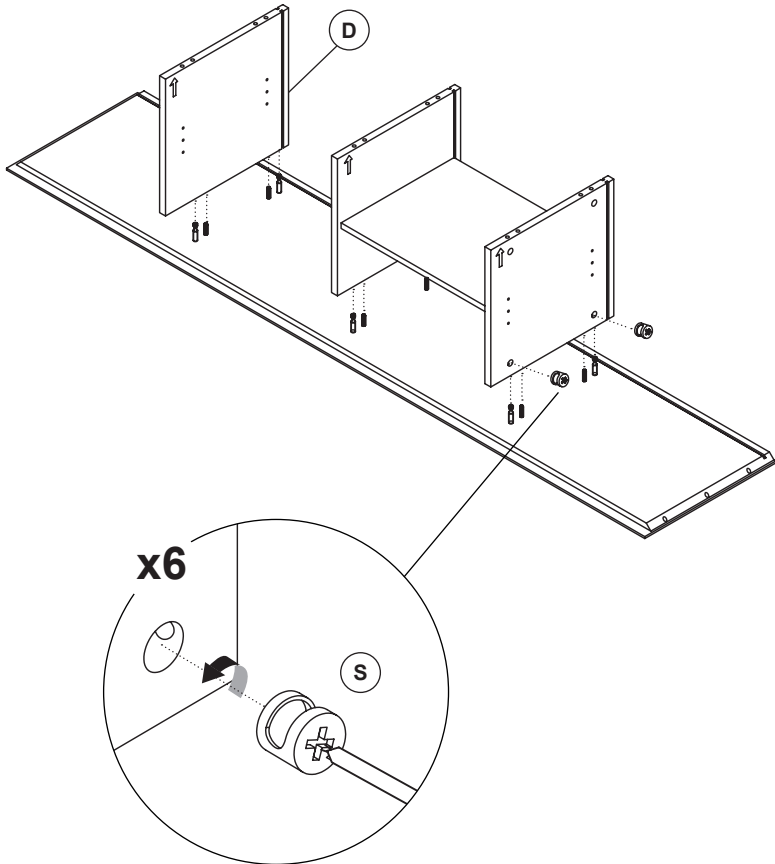


4

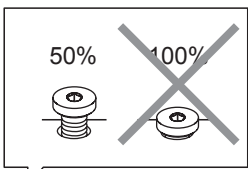
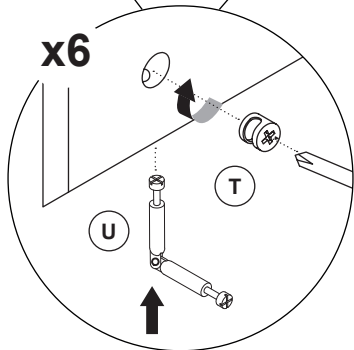
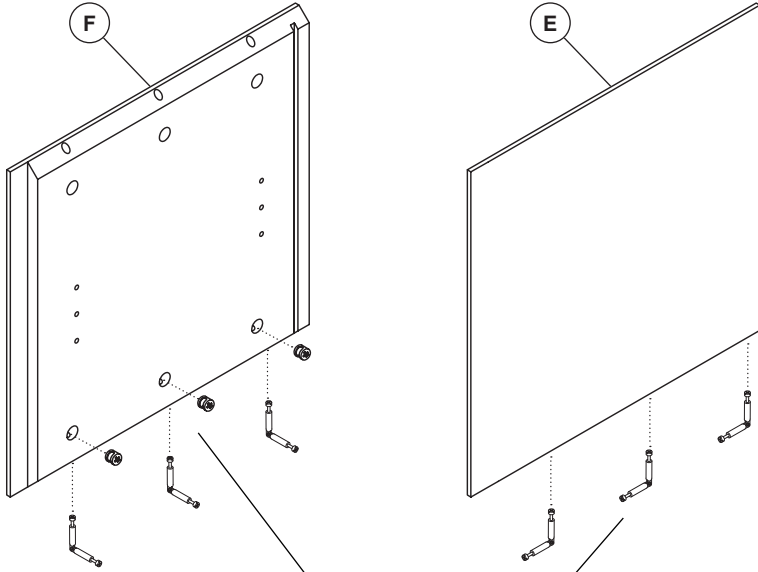




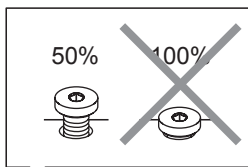
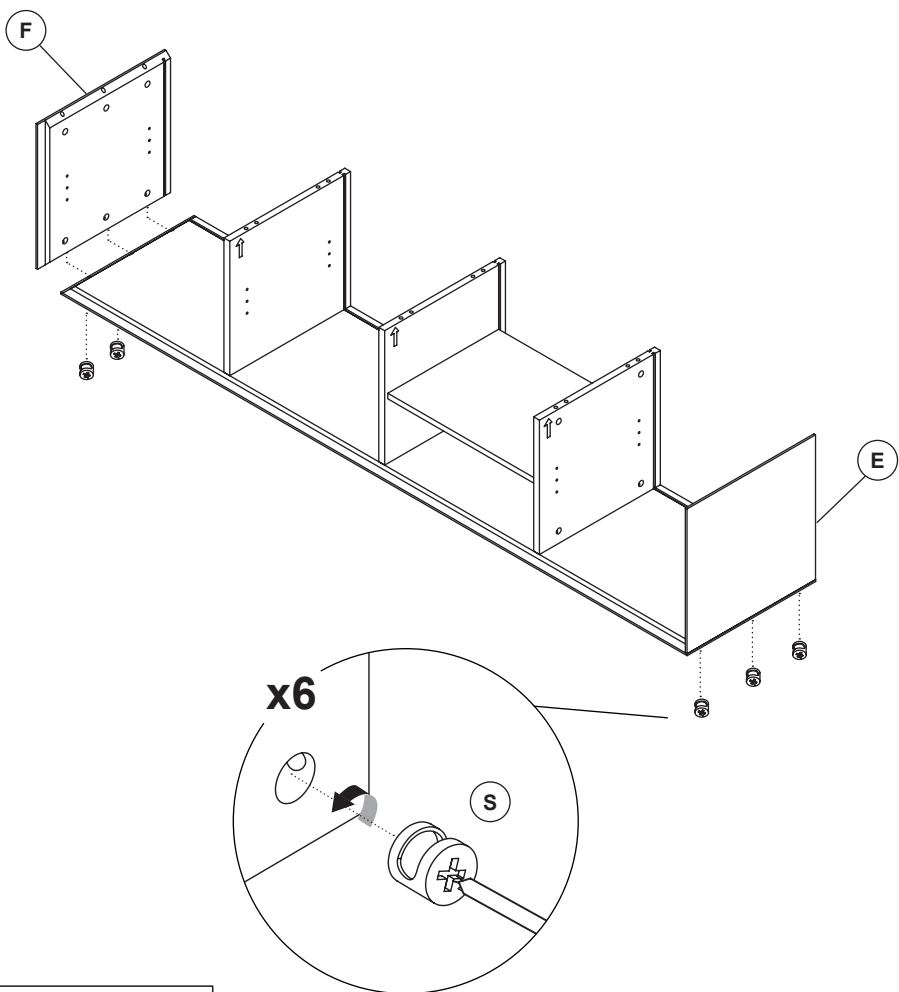
5



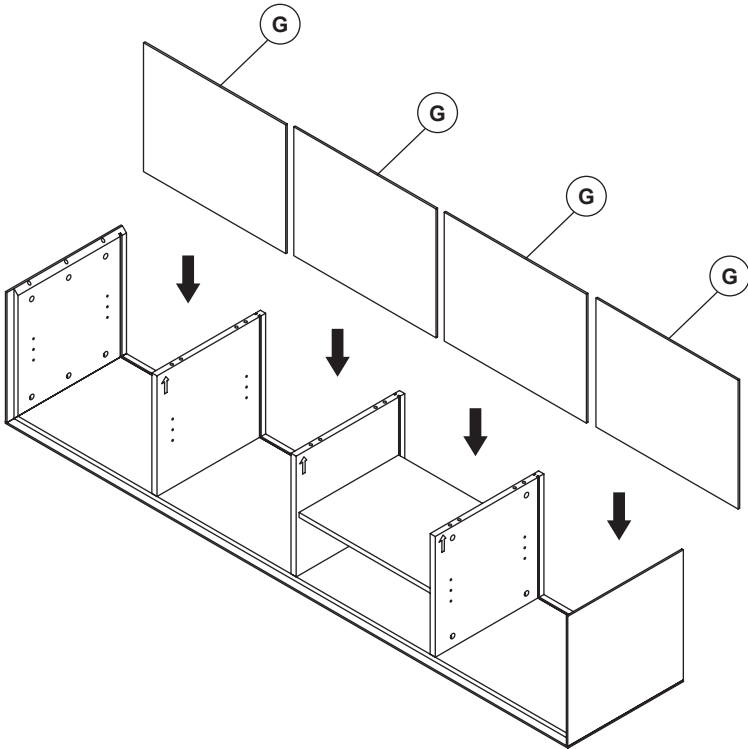
6



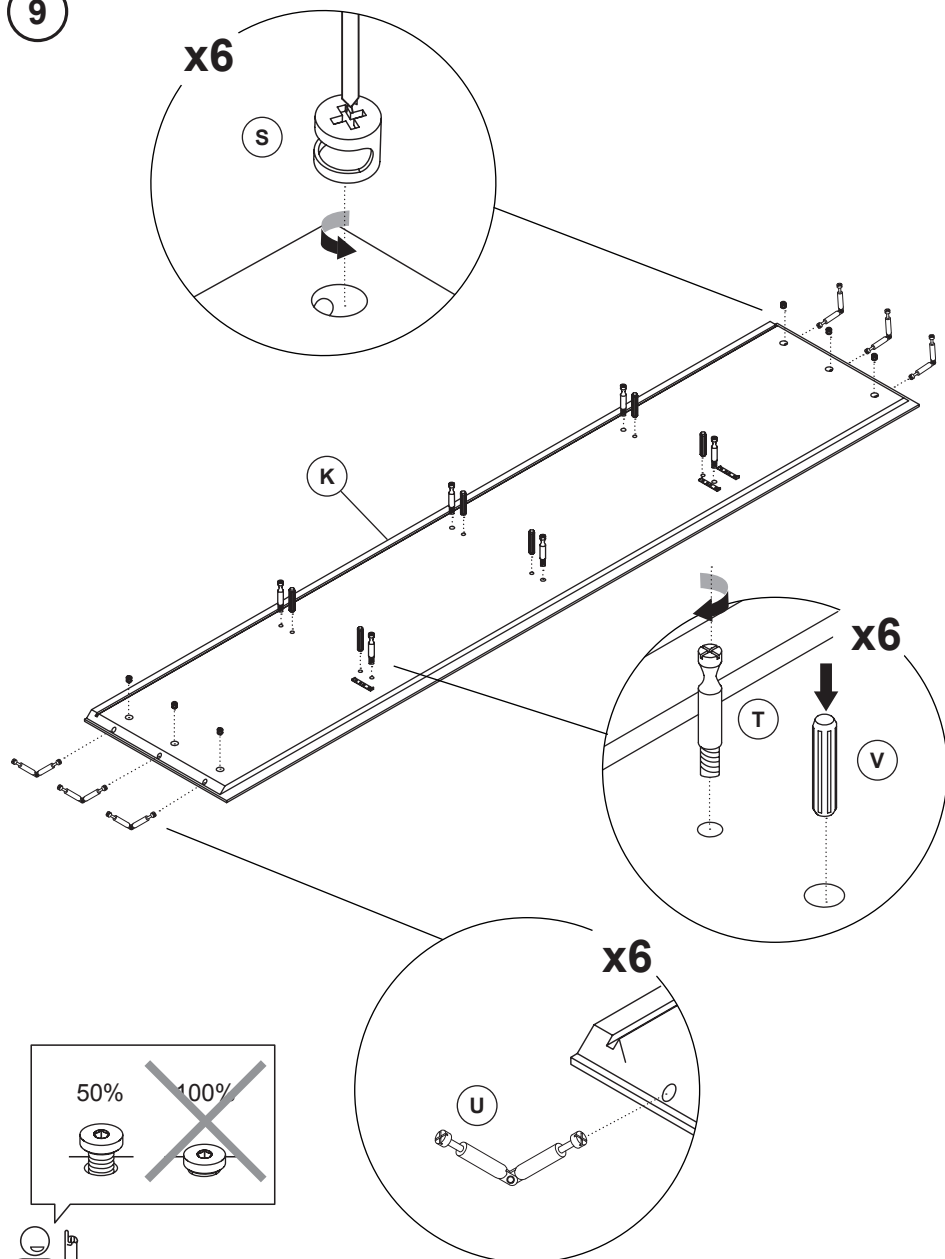
7



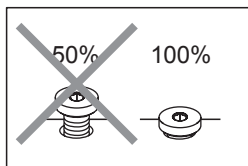
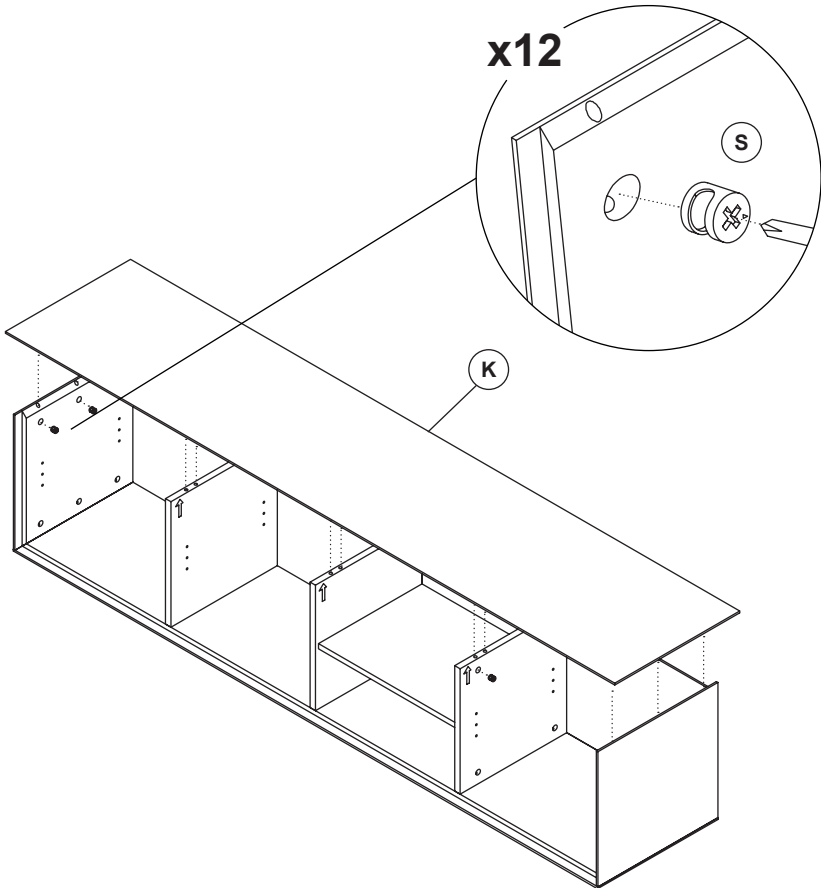
8



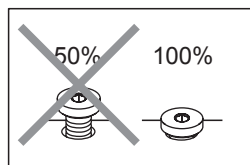
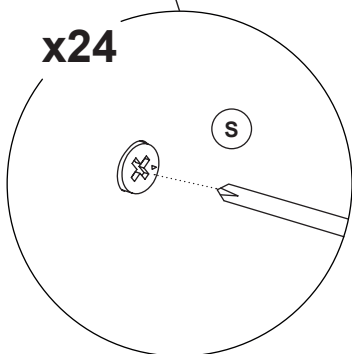
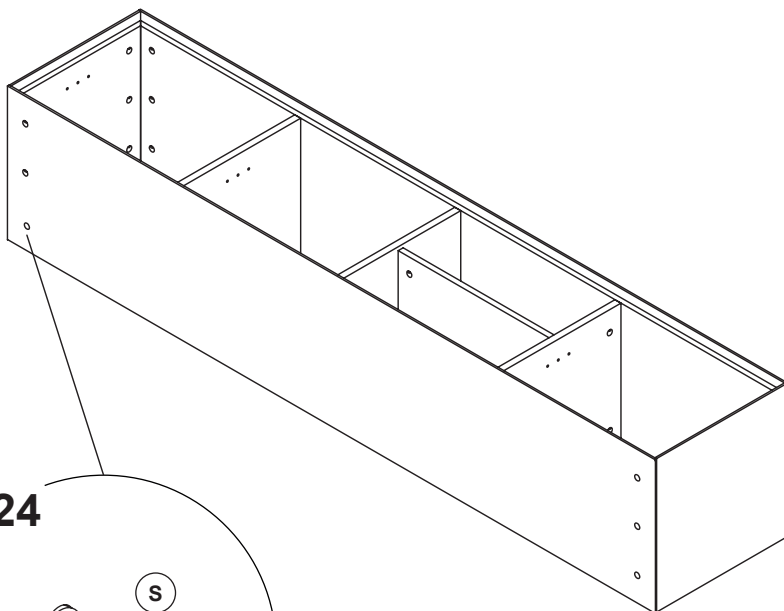
9



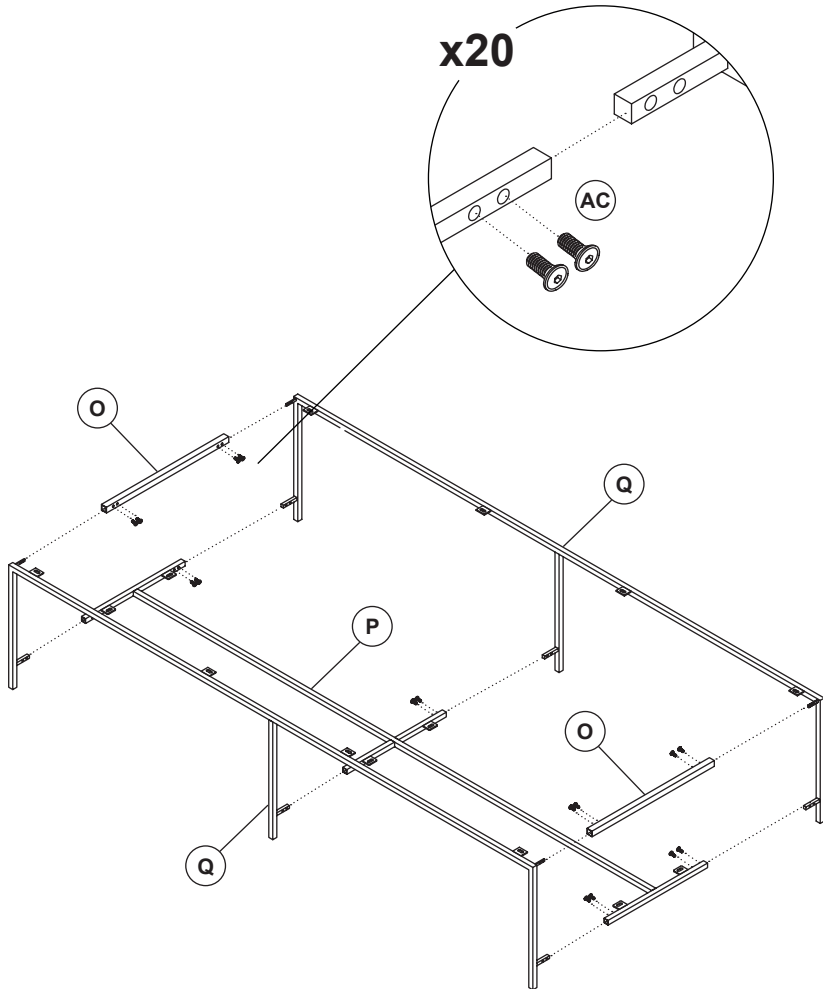
10



11

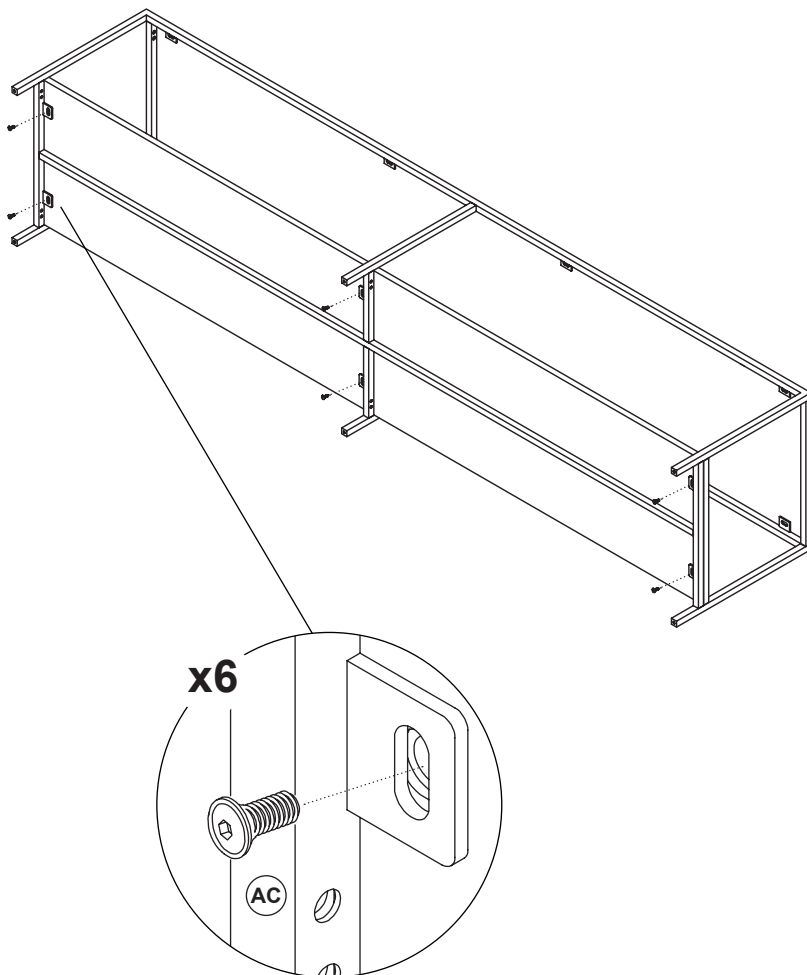


12

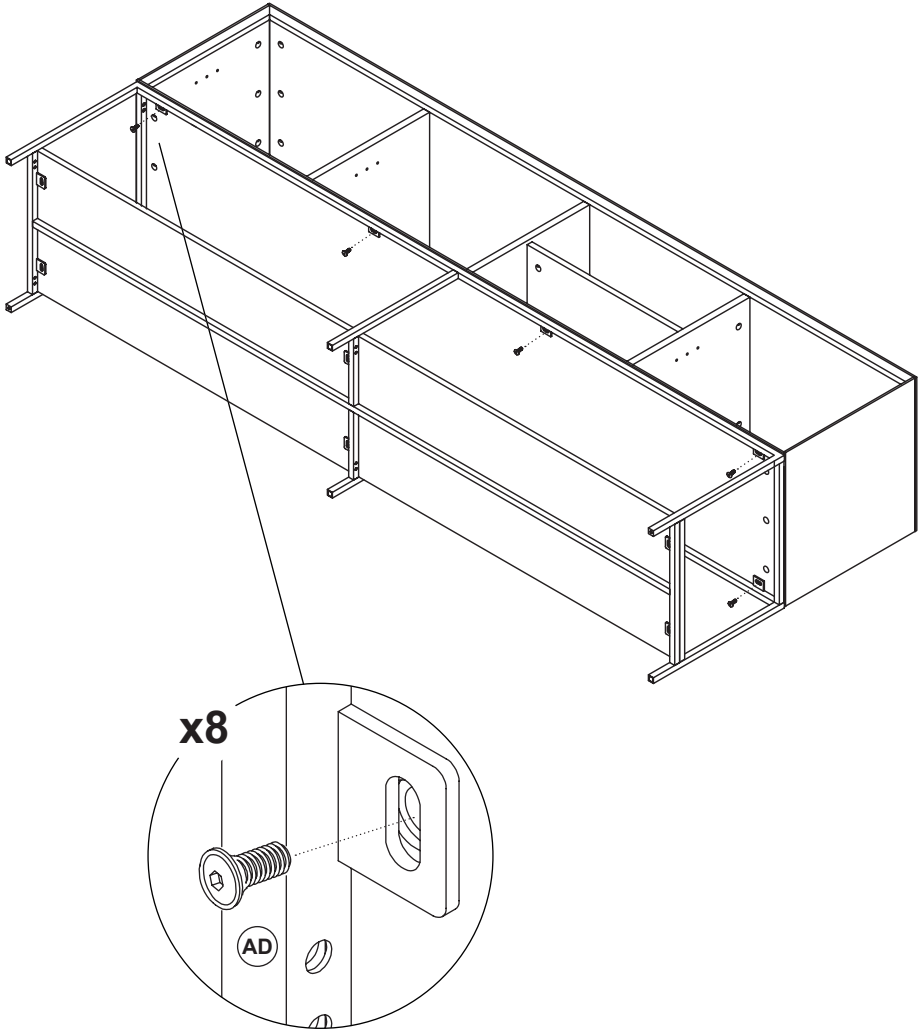




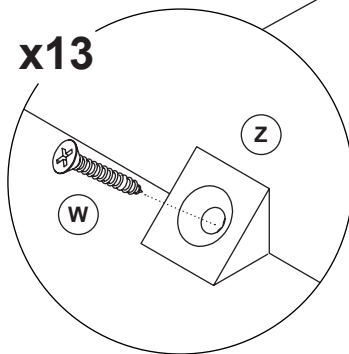
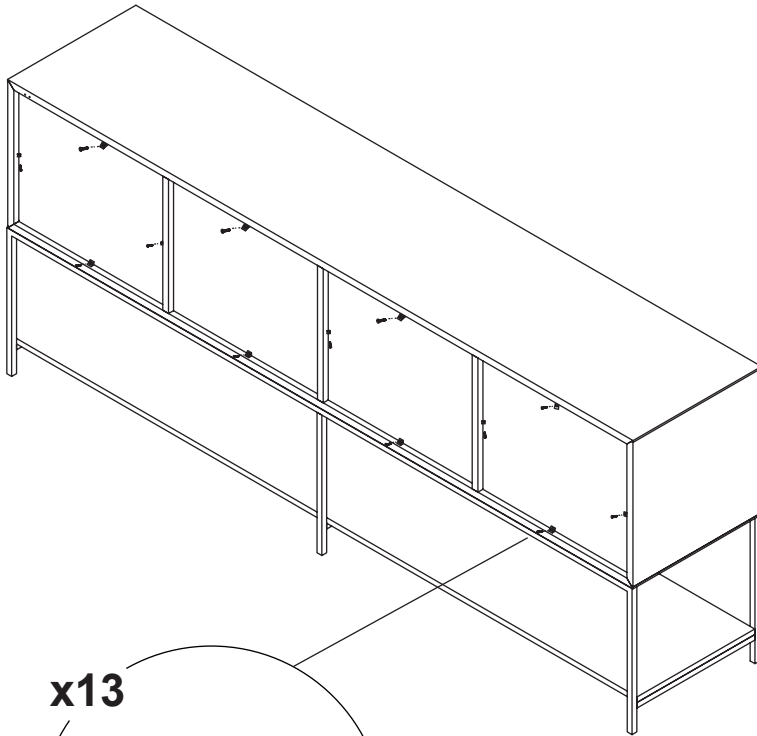
13



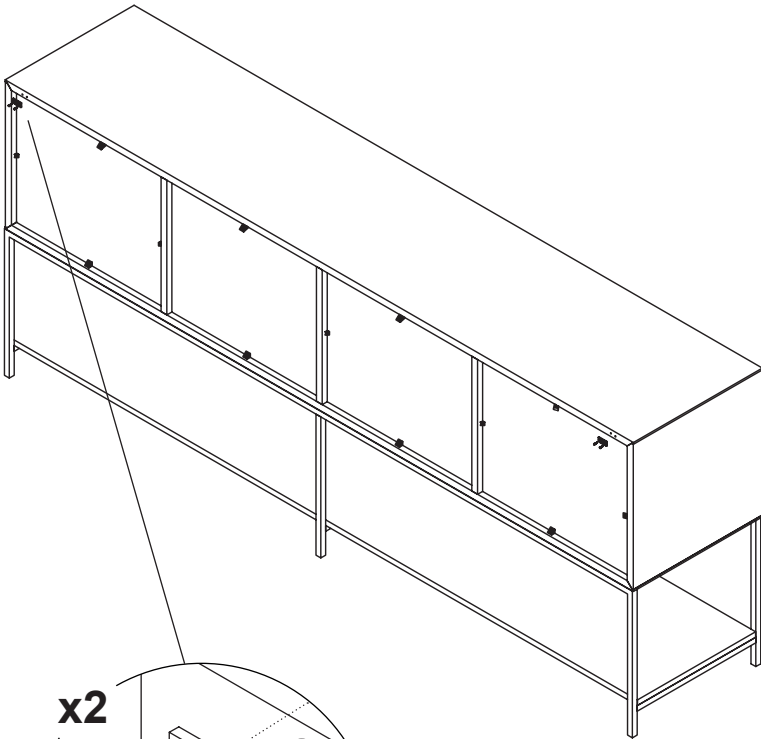
14



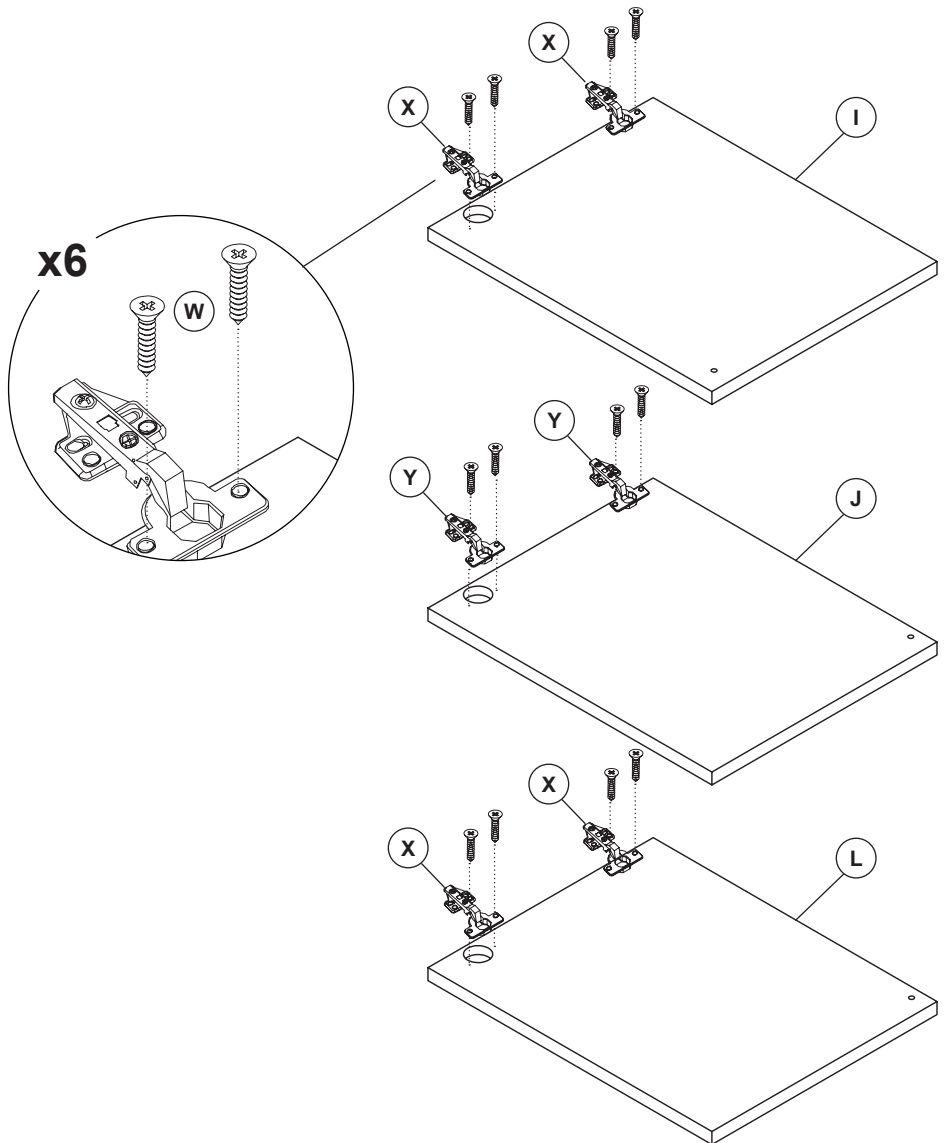
15



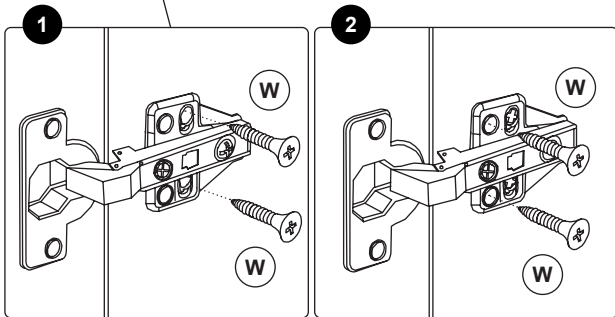
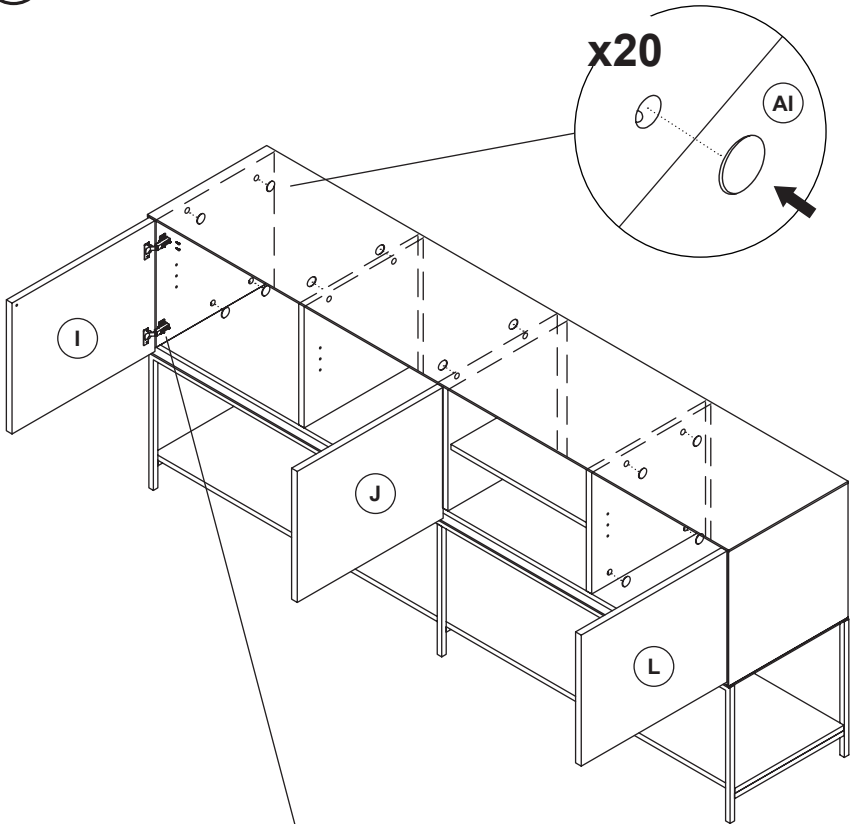
16



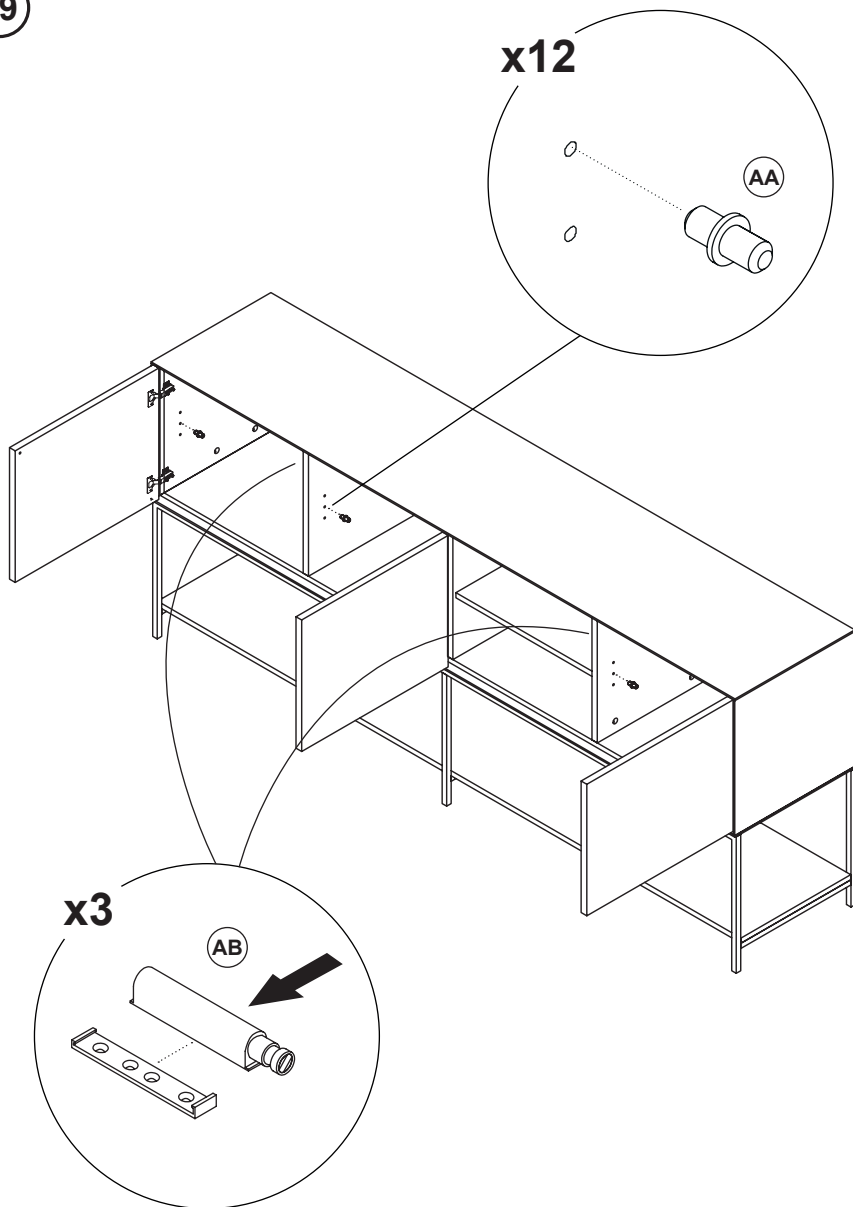
17



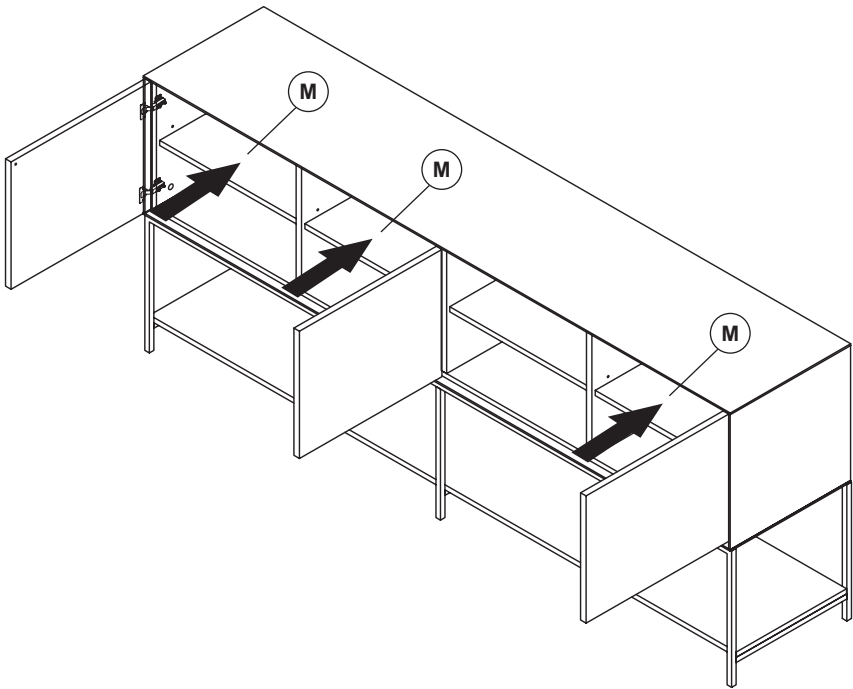
18



19

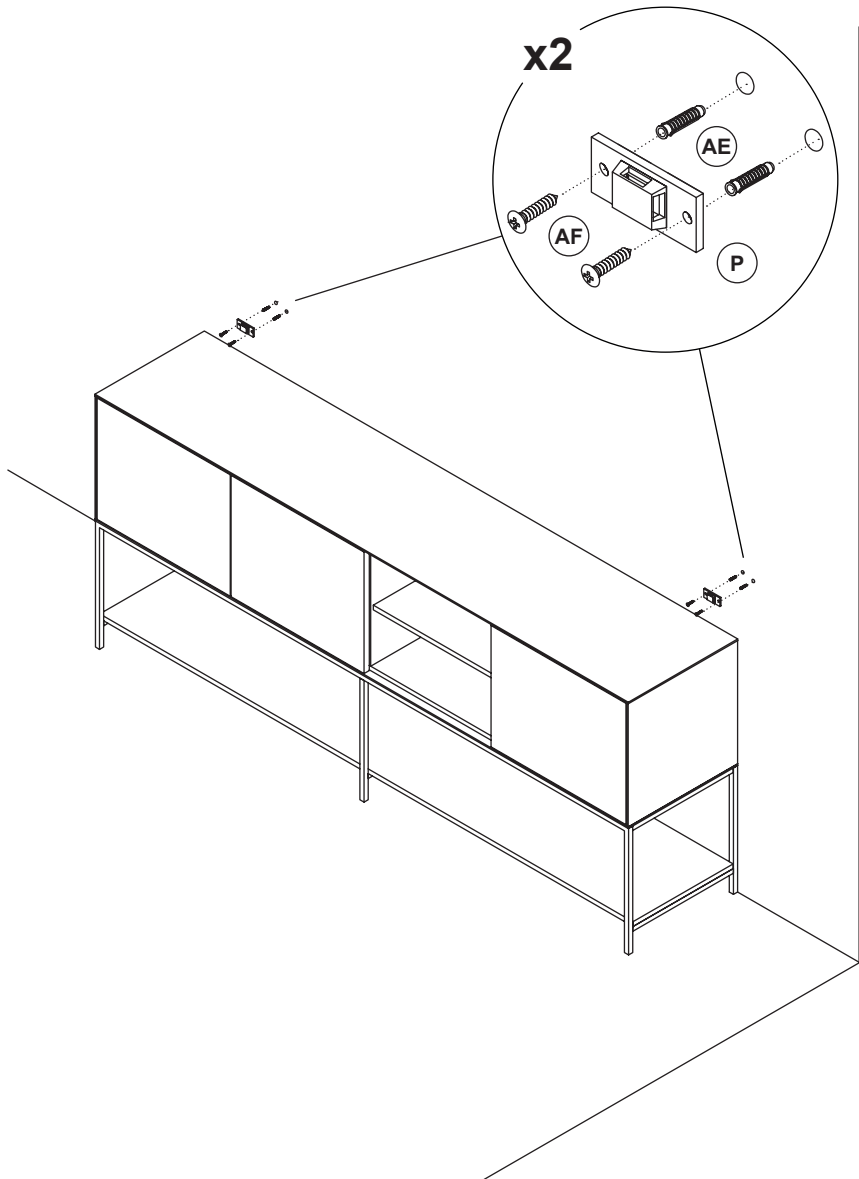


20

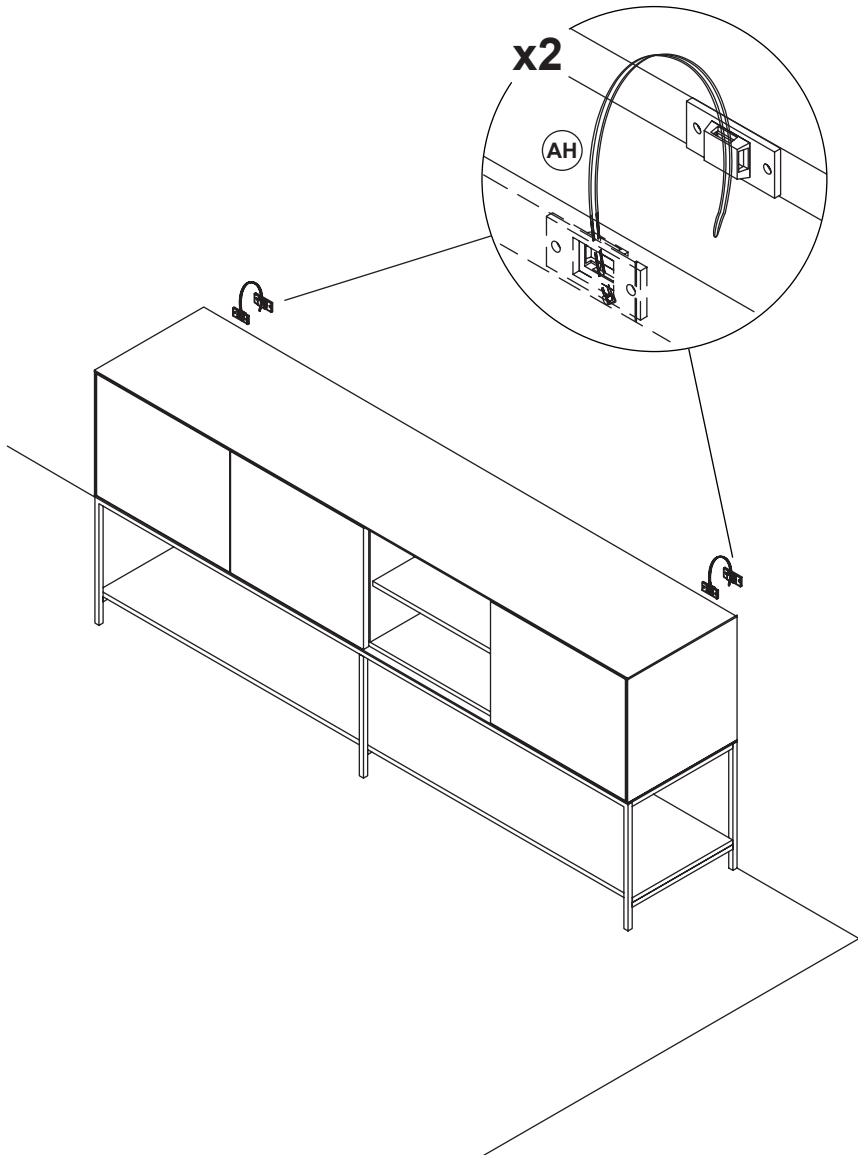


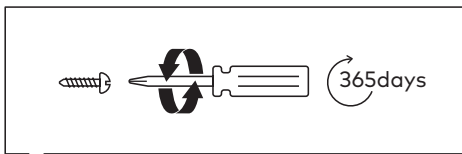
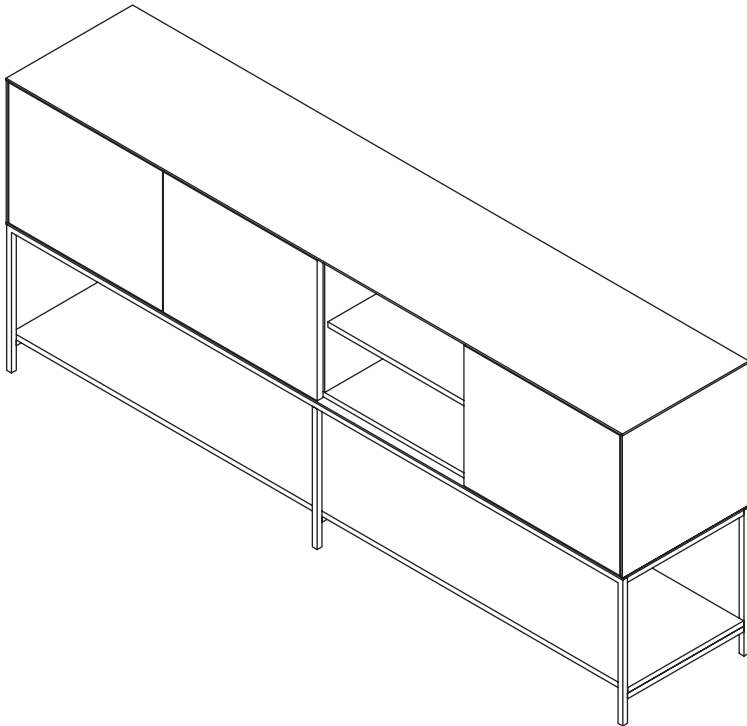


21



22







**THAT'S ALL FOLKS**

Share your style!

**#KaveHome**

