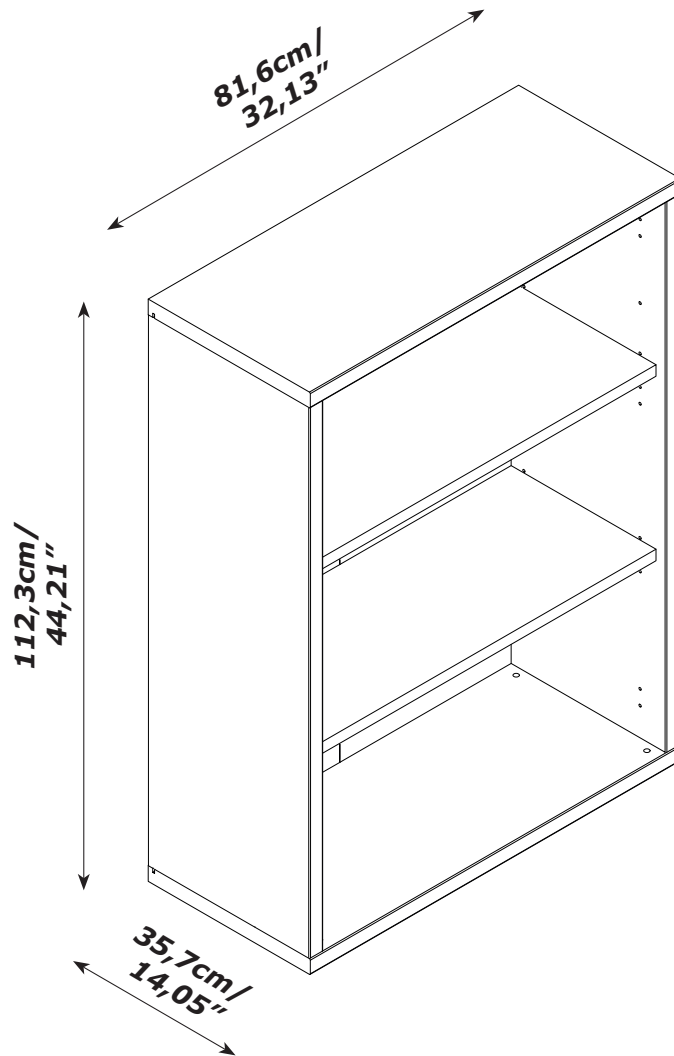
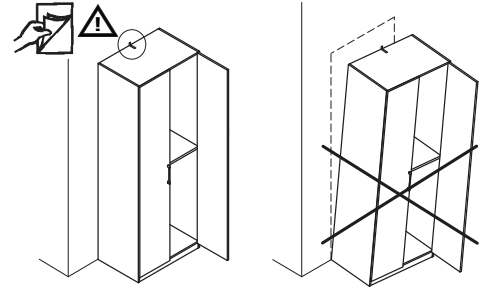
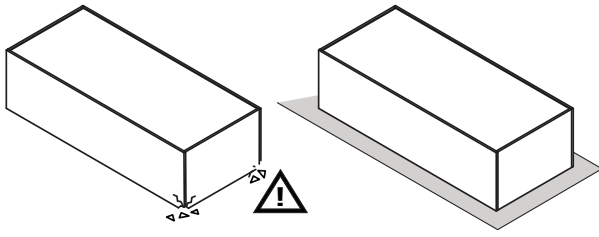
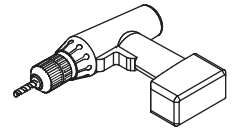
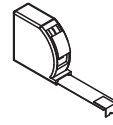
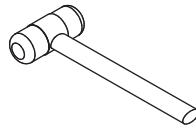
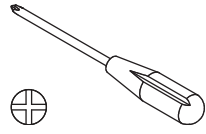
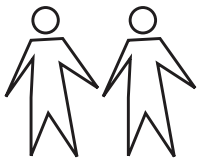


LB4800B80309



QF5810

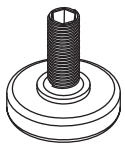


IT IS RECOMMENDED THAT THE ANTI-TIP KIT INCLUDED WITH THIS PRODUCT BE INSTALLED FOR ADDED SAFETY AND STABILITY.

IT IS ESSENTIAL TO USE WALL ANCHORS APPROPRIATE FOR YOUR WALL TYPE (I.E. PLASTER, DRY-WALL, CONCRETE, ETC.), ALONG WITH APPROPRIATE SCREWS, FOR PROPER MOUNTING. THE SCREWS INCLUDED IN THIS ANTI-TIP KIT MAY NOT BE SUITED FOR ALL WALL TYPES. MOUNTING TO WOOD STUDS IS RECOMMENDED.

CONSULT A QUALIFIED PROFESSIONAL OR YOUR LOCAL HARDWARE STORE FOR APPROPRIATE MOUNTING HARDWARE SUITED FOR YOUR SPECIFIC WALL MEDIUM.

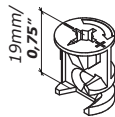
BU4884



P25
x4



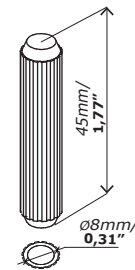
H118
x4



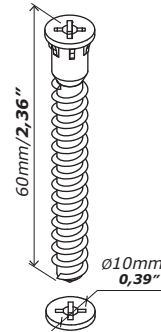
T97
x4



T28
x4



H325
x8



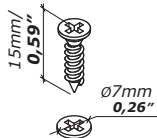
V57
x4



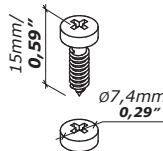
R40
x8



H2
x10



V5
x10



V81
x2



G171
x14



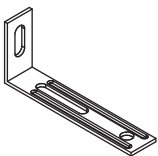
G198
x4



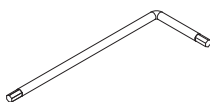
G199
x4



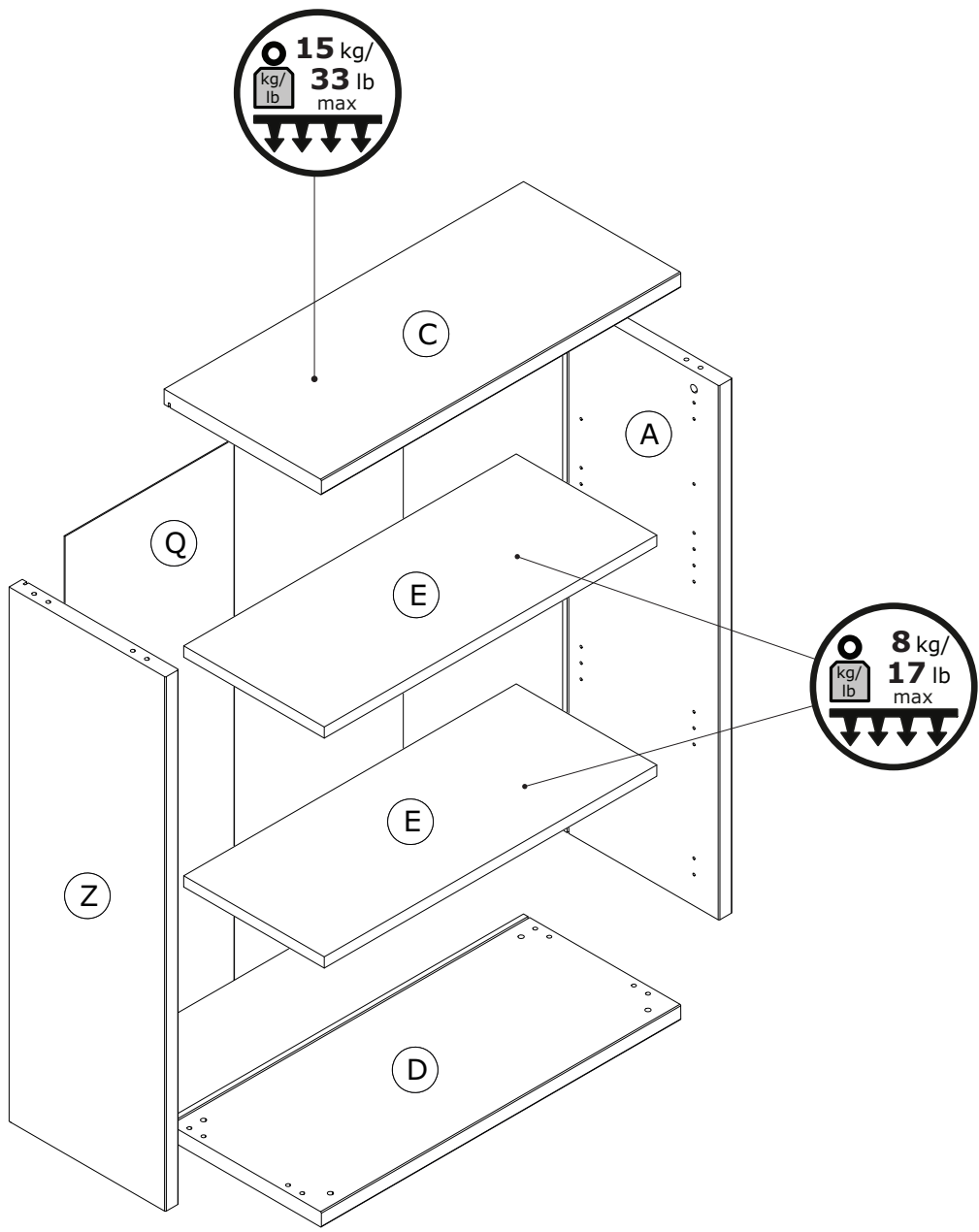
H129
x2

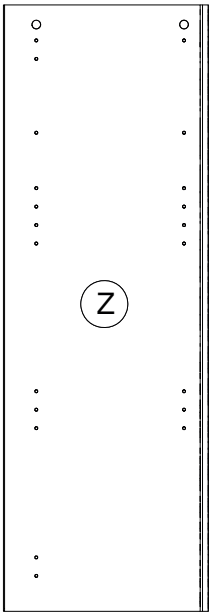


H185
x1

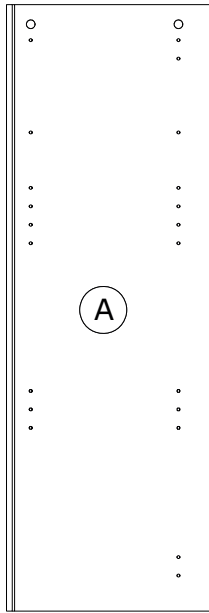


H138
x1

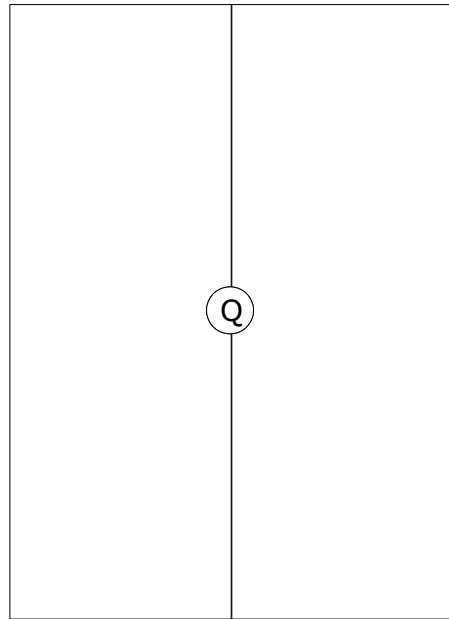




FI9314
1051x355x30mm/
41,37"x13,98"x1,18"

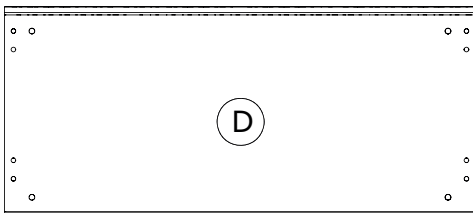


FI9315
1051x355x30mm/
41,37"x13,98"x1,18"

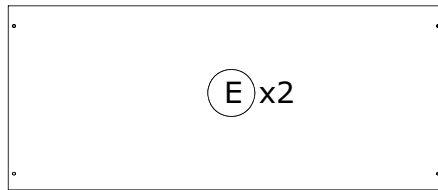


SH3791
1065x768x2mm/
41,93"x30,23"x0,079"

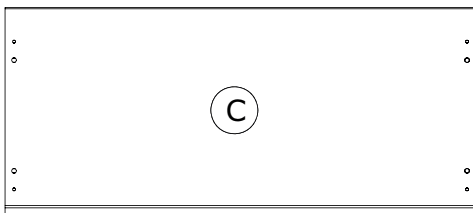
BOX 1/2



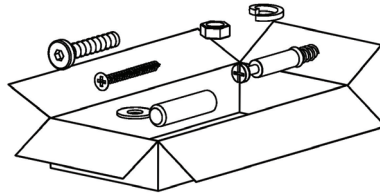
BA2398
816x357x30mm/
32,13"x14,05"x1,18"



PI7561
755x319x22mm/
29,72"x12,56"x0,87"



CA3905
816x357x30mm/
32,13"x14,05"x1,18"

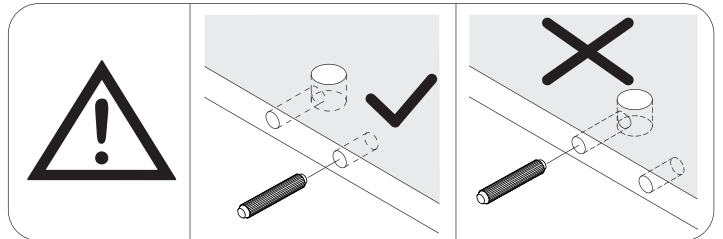
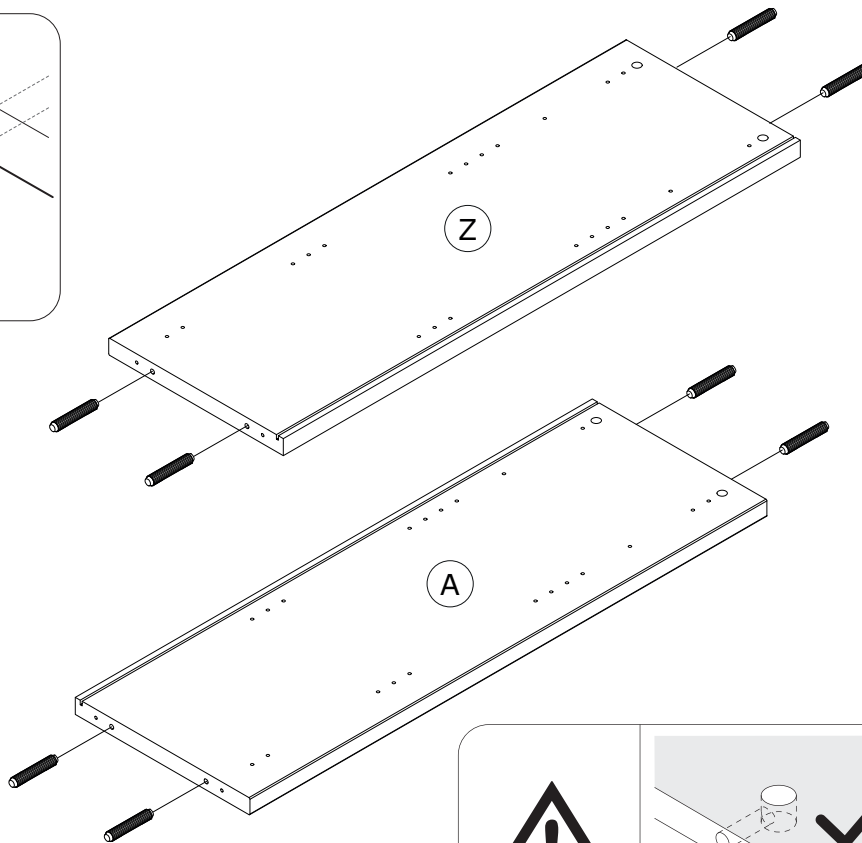


BOX 2/2

1

8x

H325



2

4x

H118

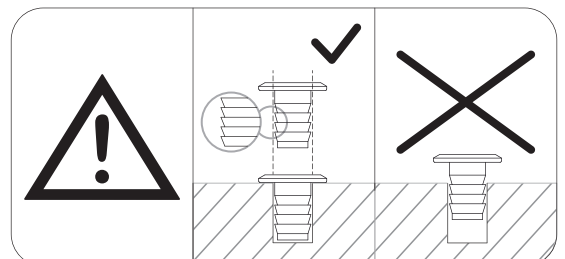
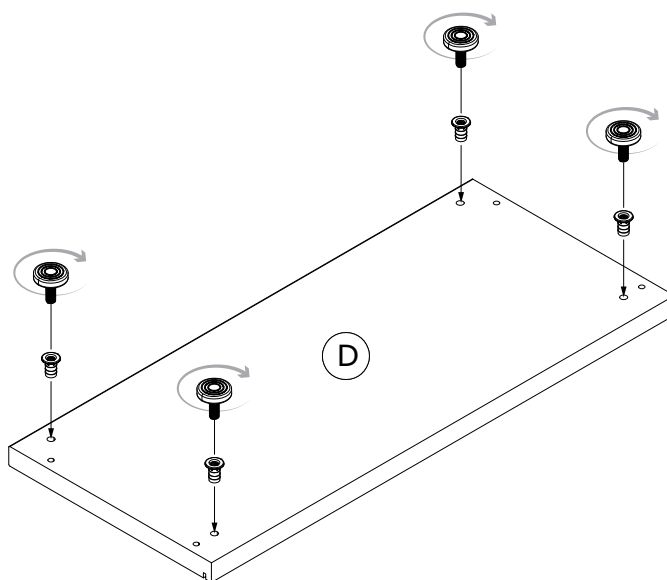
1

4x

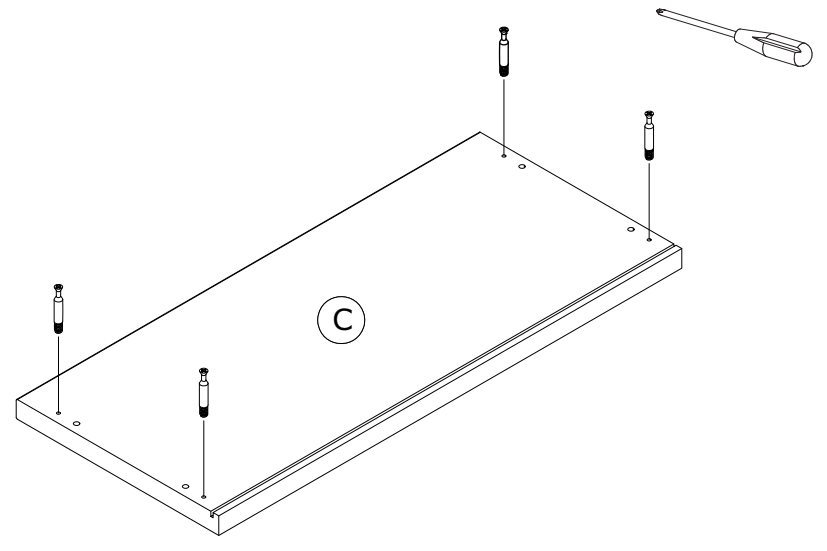
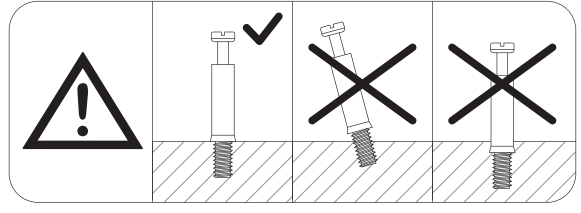
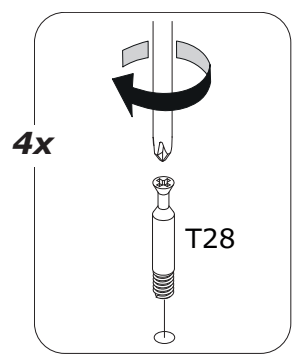
P25

H118

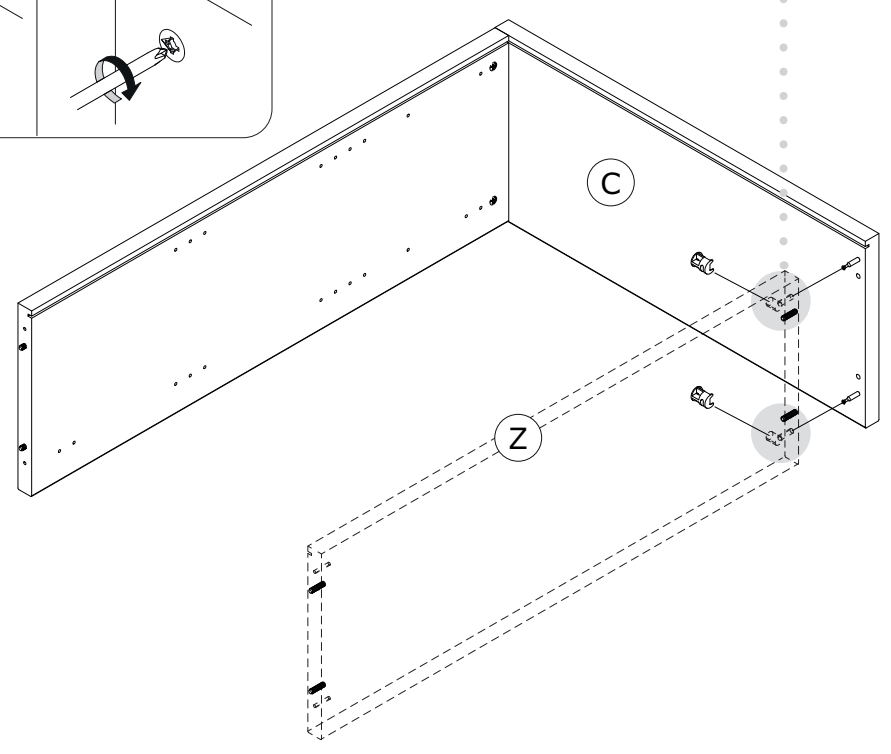
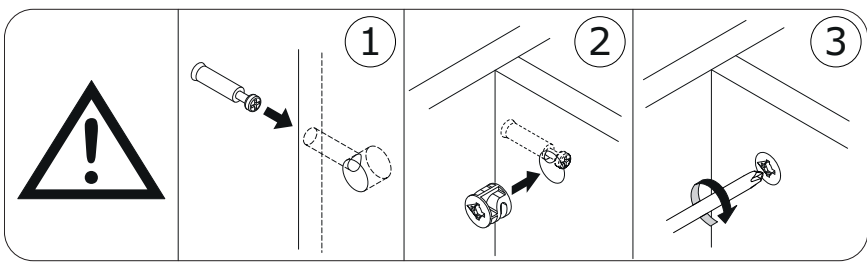
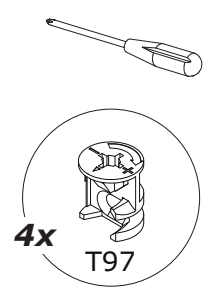
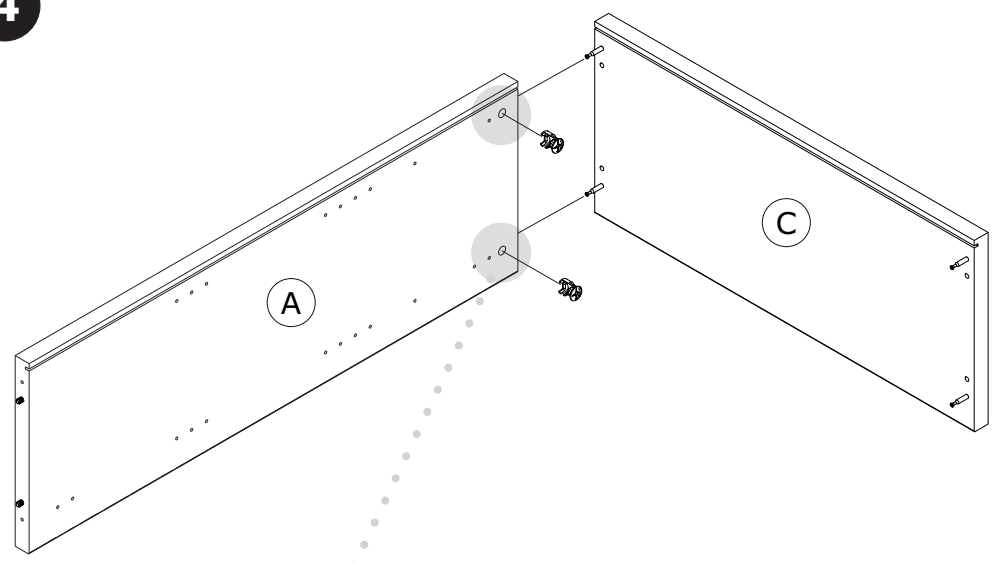
2



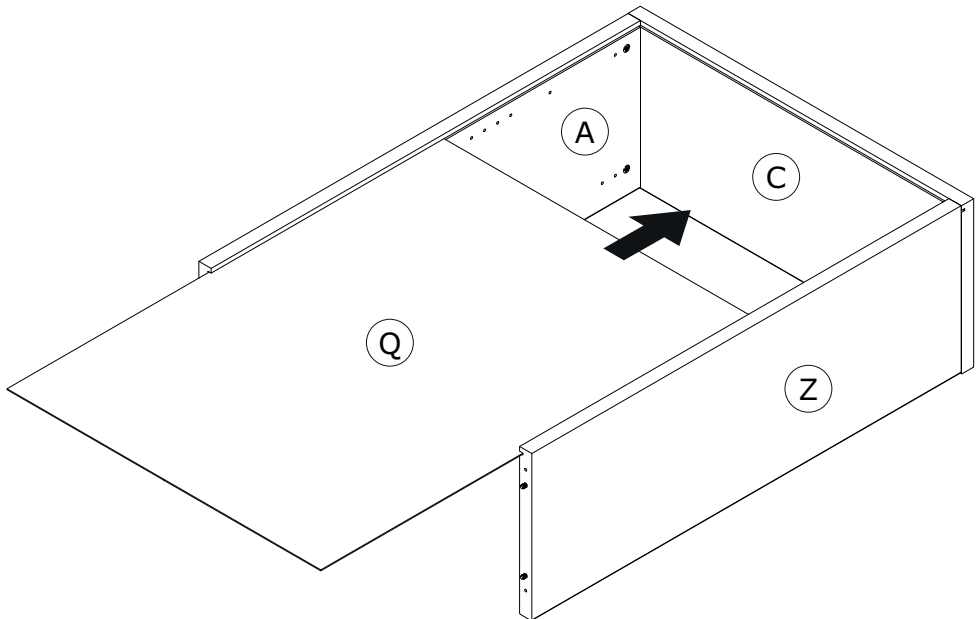
3



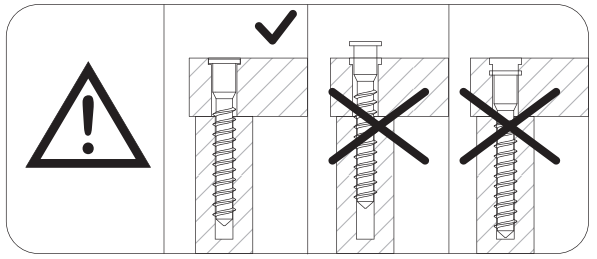
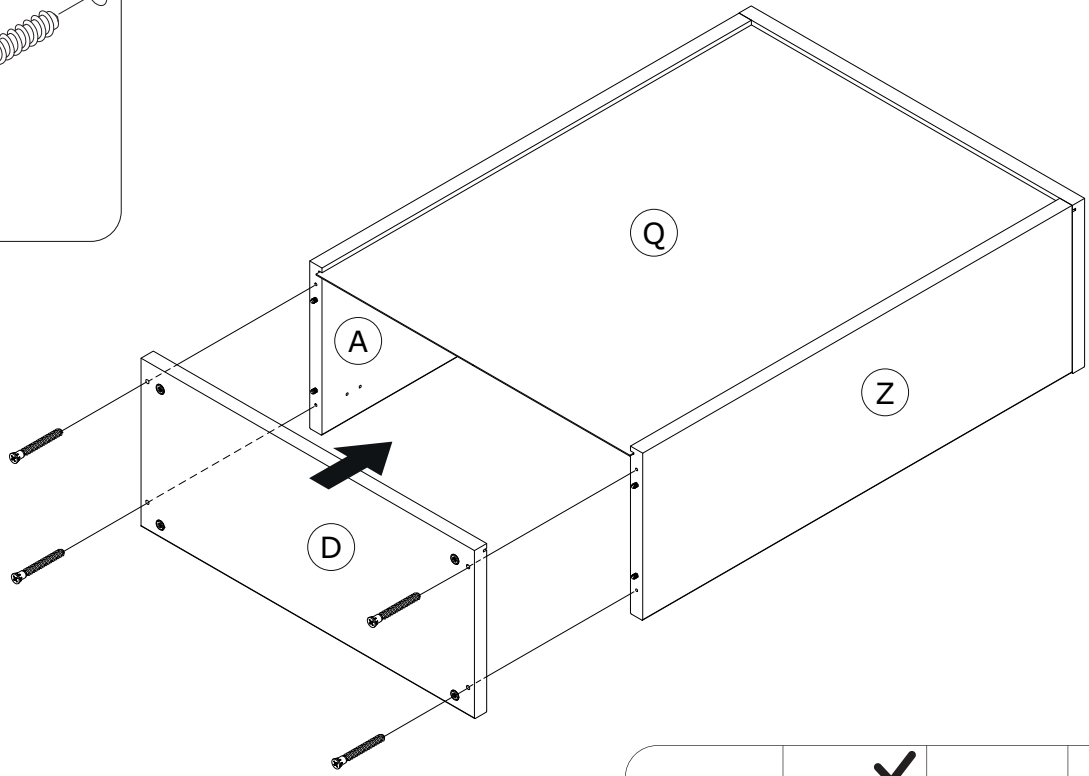
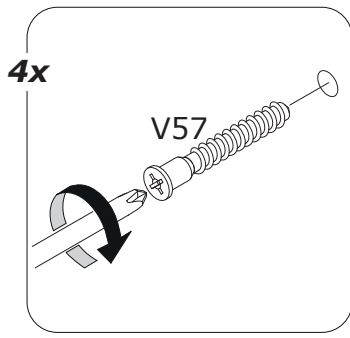
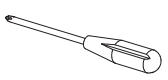
4



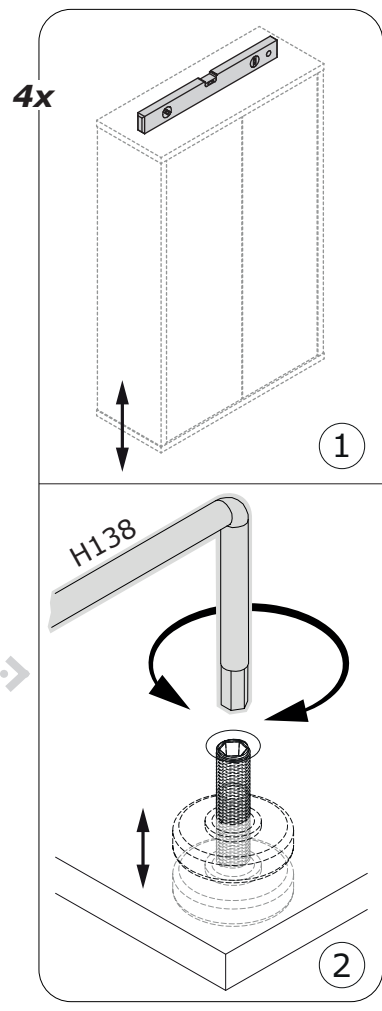
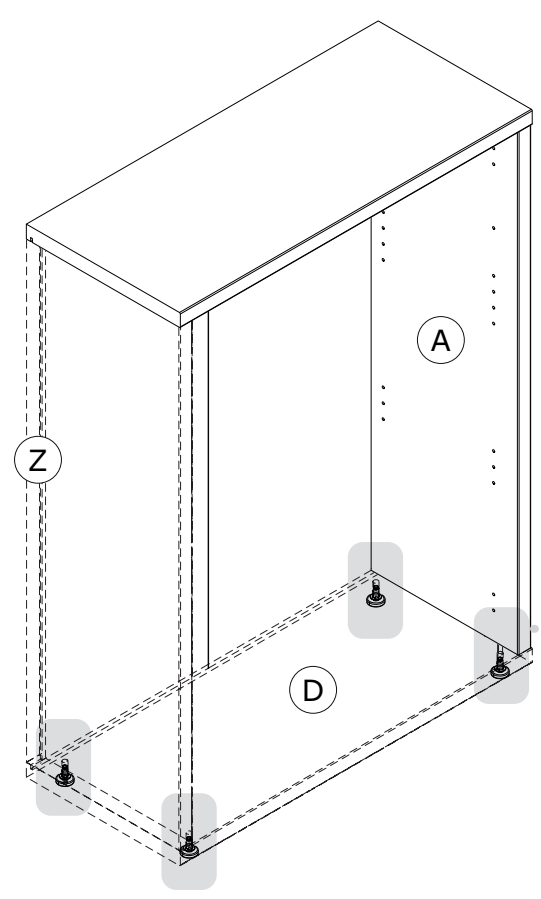
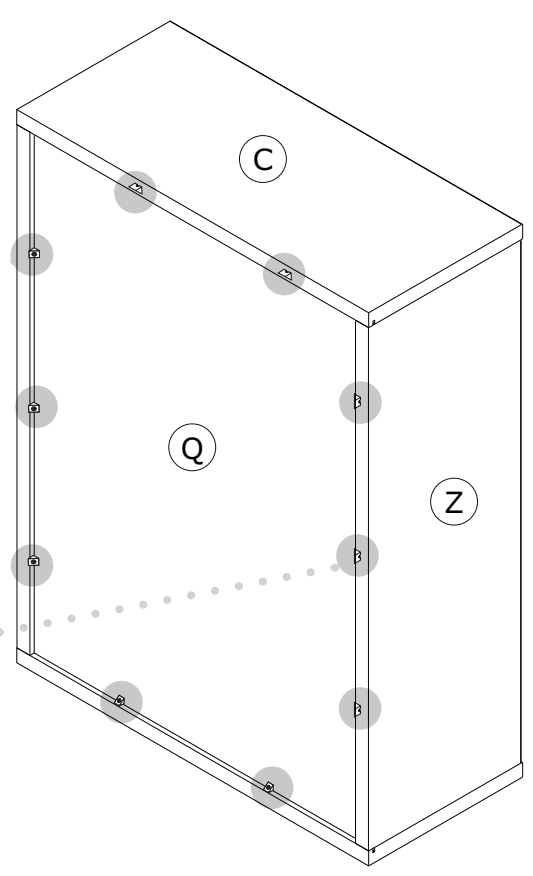
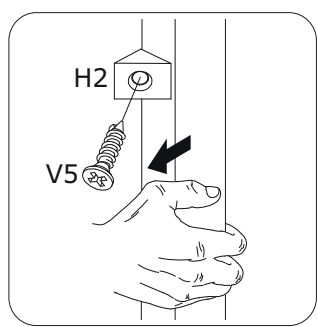
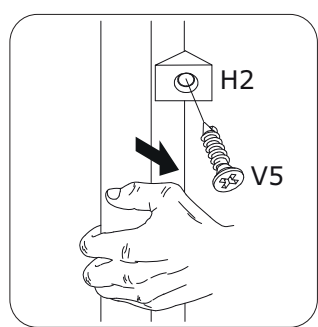
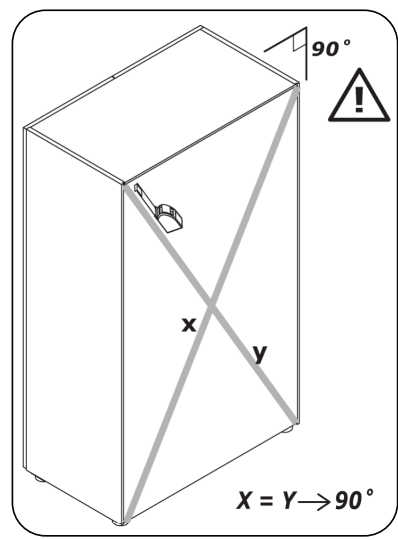
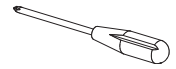
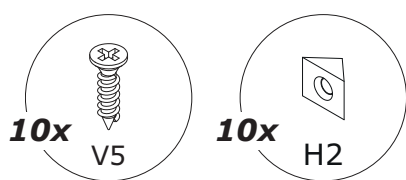
5

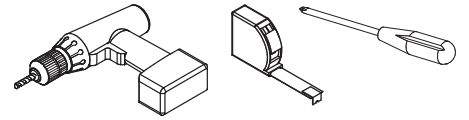


6



7





IT IS RECOMMENDED THAT THE ANTI-TIP KIT INCLUDED WITH THIS PRODUCT BE INSTALLED FOR ADDED SAFETY AND STABILITY.

IT IS ESSENTIAL TO USE WALL ANCHORS APPROPRIATE FOR YOUR WALL TYPE (I.E. PLASTER, DRY-WALL, CONCRETE, ETC.), ALONG WITH APPROPRIATE SCREWS, FOR PROPER MOUNTING.

THE SCREWS INCLUDED IN THIS ANTI-TIP KIT MAY NOT BE SUITED FOR ALL WALL TYPES. MOUNTING TO WOOD STUDS IS RECOMMENDED.

CONSULT A QUALIFIED PROFESSIONAL OR YOUR LOCAL HARDWARE STORE FOR APPROPRIATE MOUNTING HARDWARE SUITED FOR YOUR SPECIFIC WALL MEDIUM.

