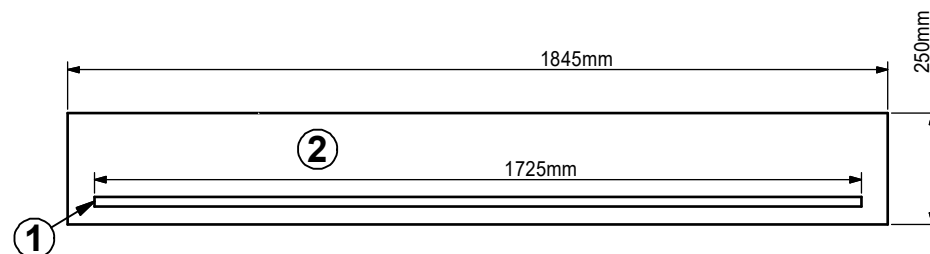
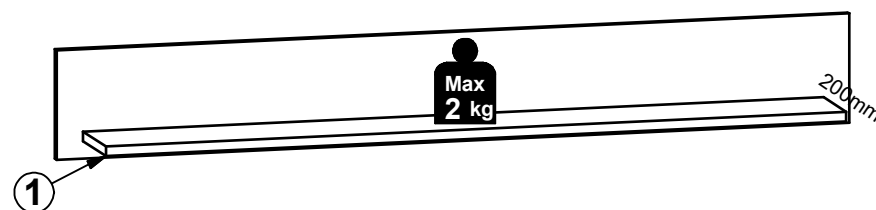
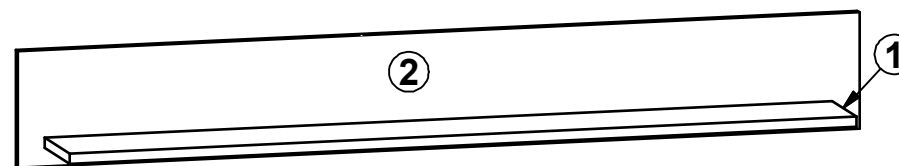
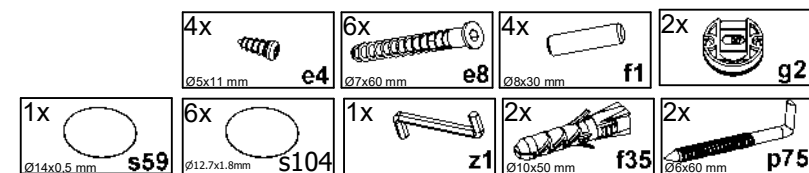
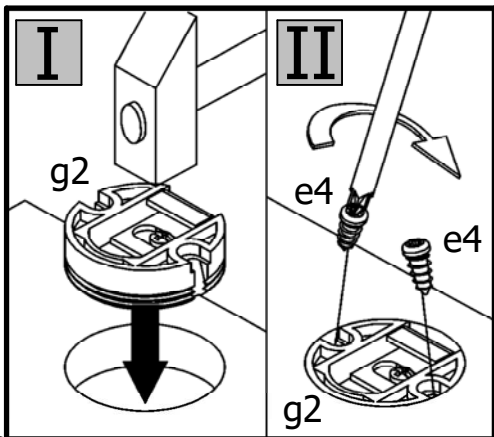


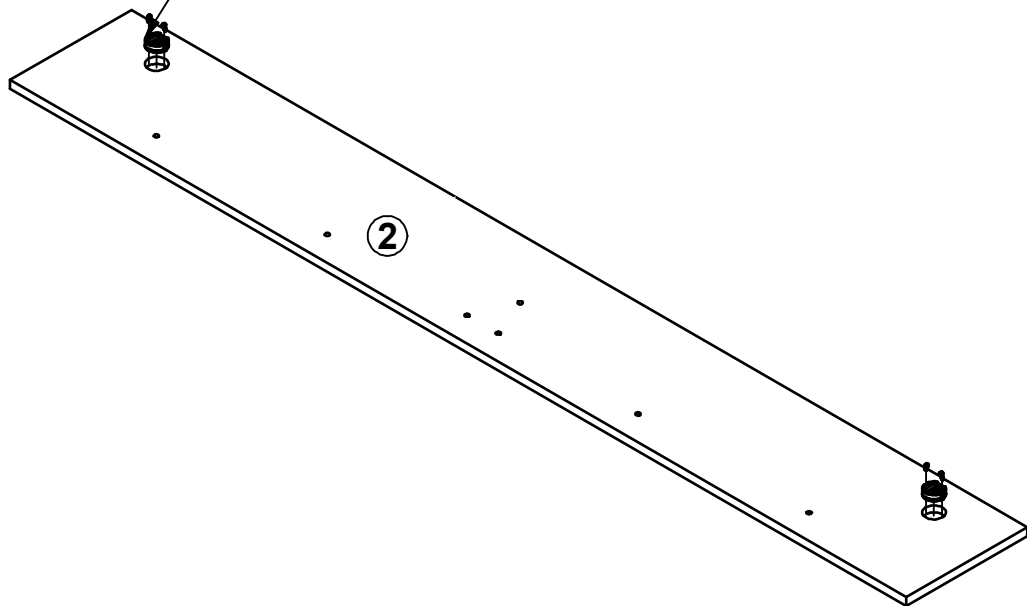
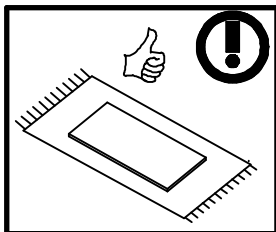
A	B	C1	C2	C3	D
1	S551-3022	1725	200	22	1/1
2	S551-4011	1845	250	16	1/1



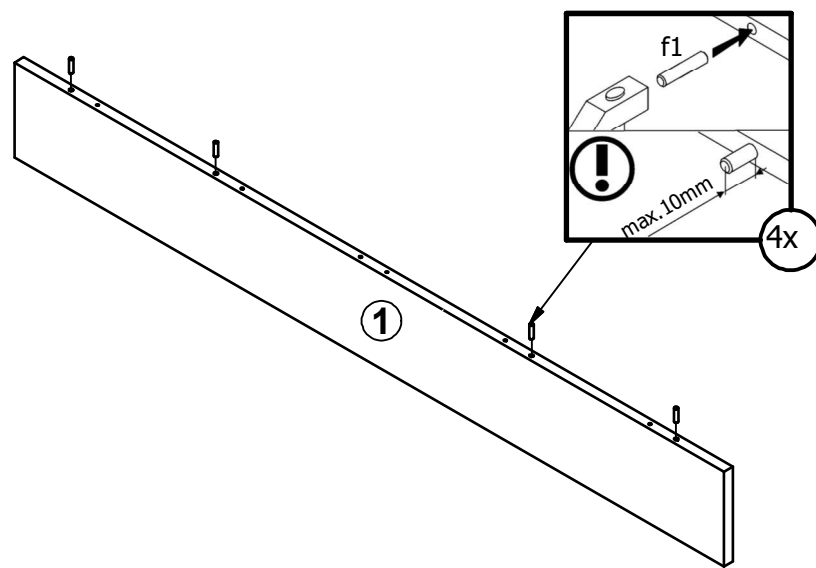
1



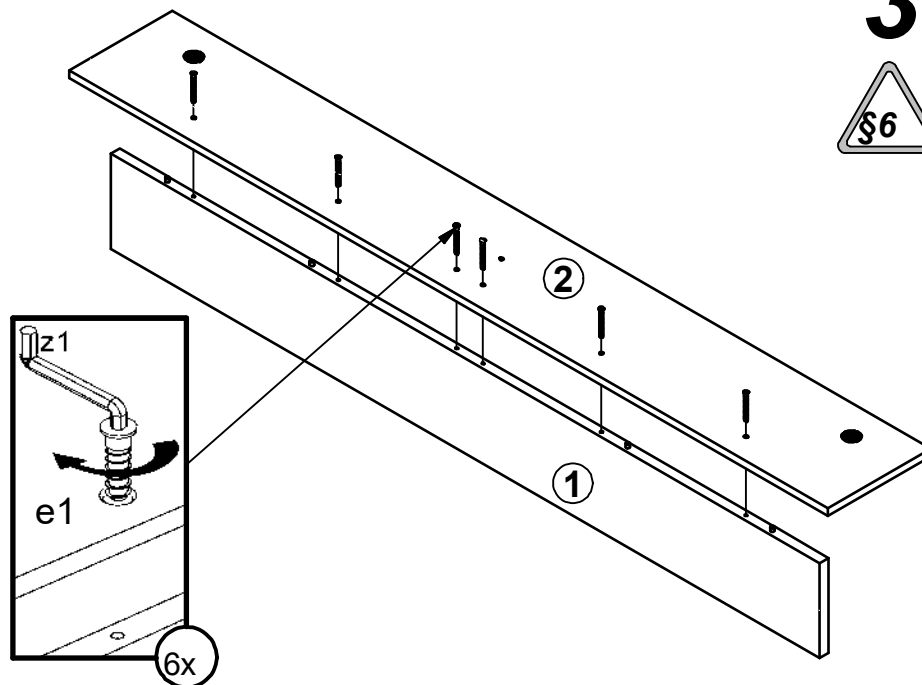
2x

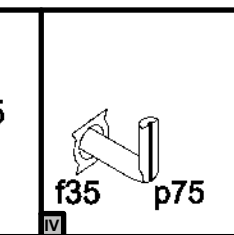
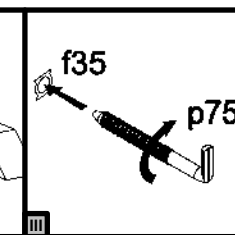
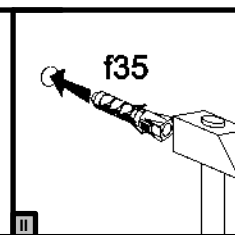
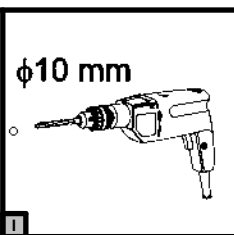
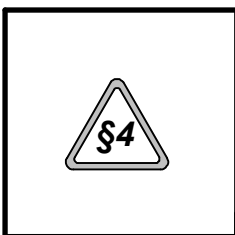
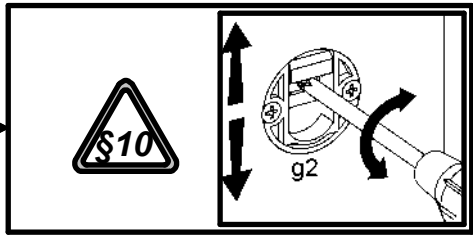
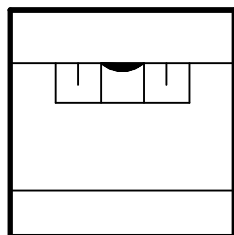


2



3





4

