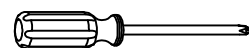
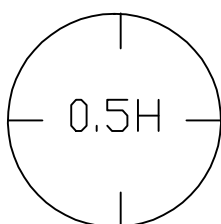
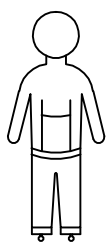
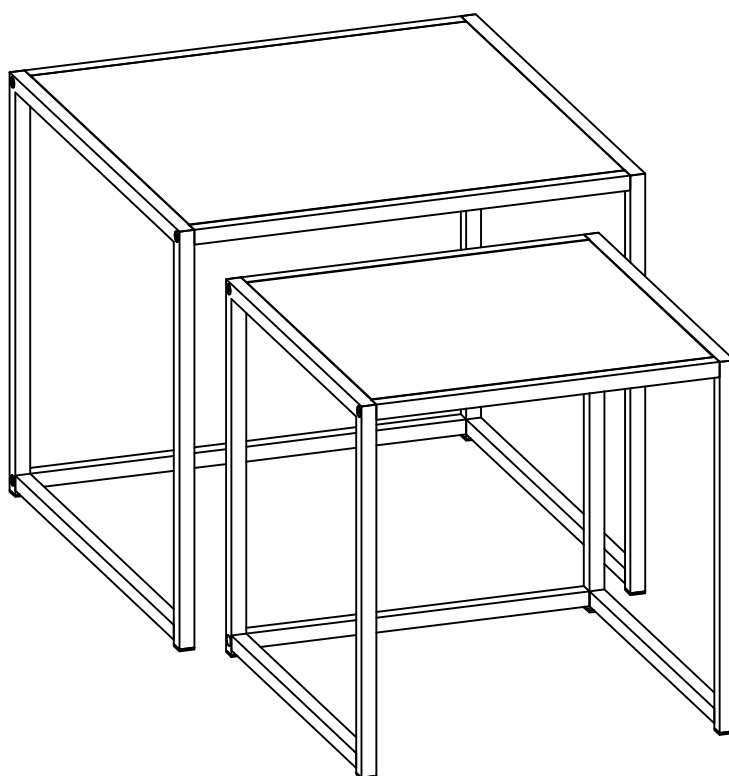
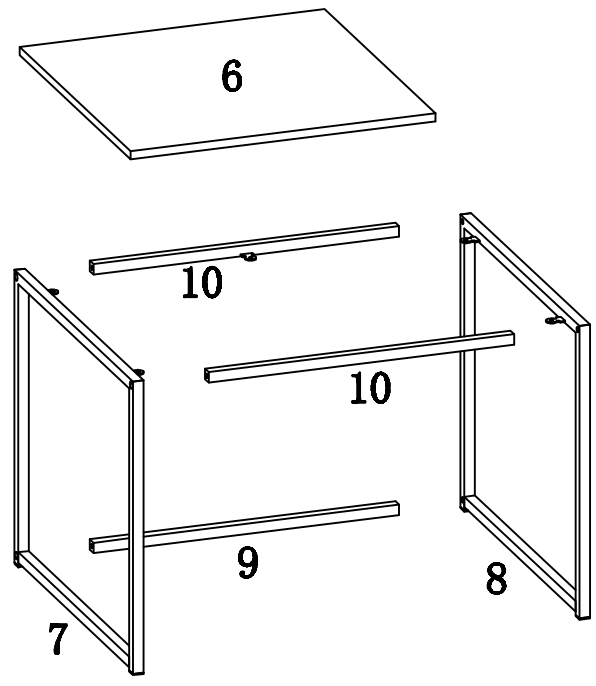
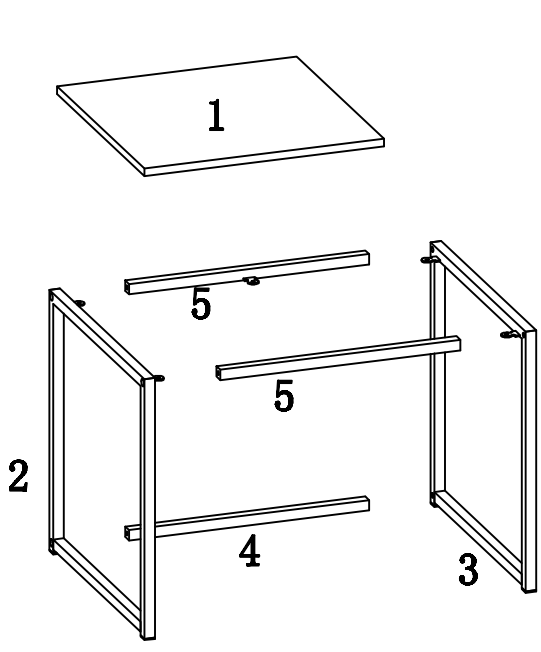










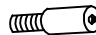


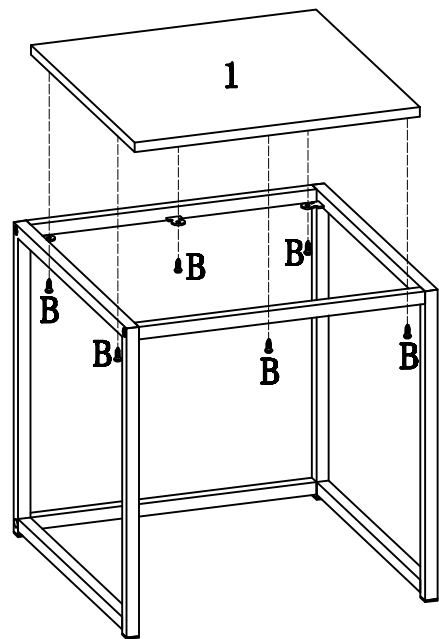
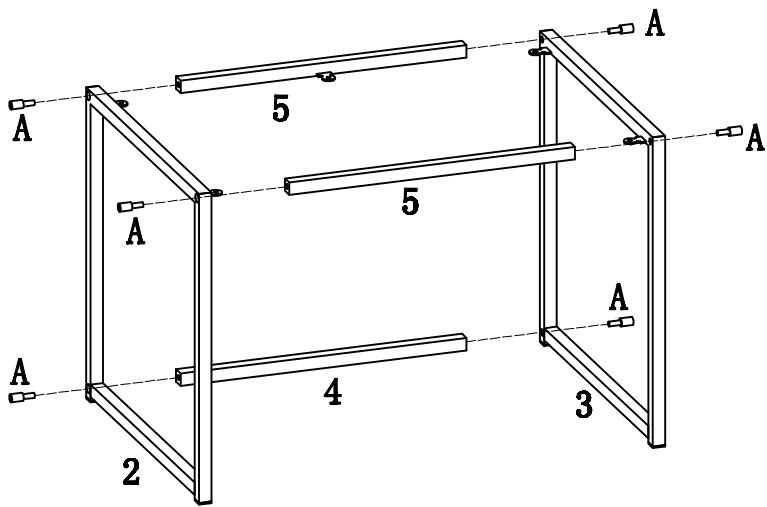


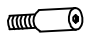

Seaford

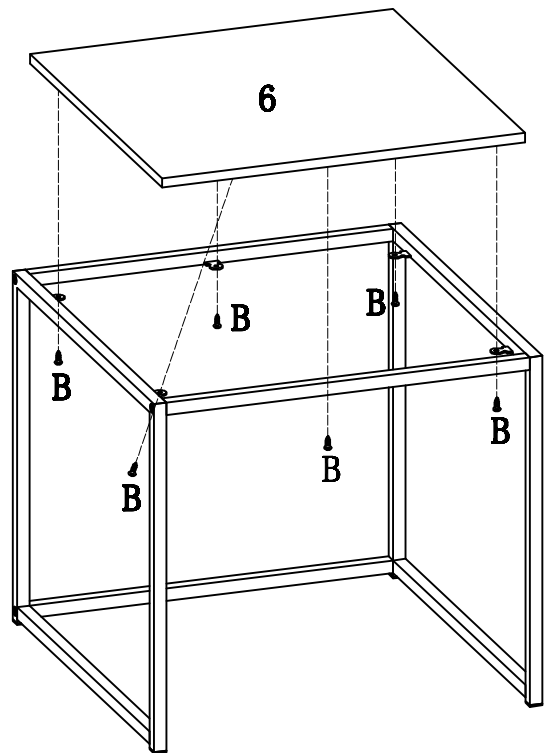
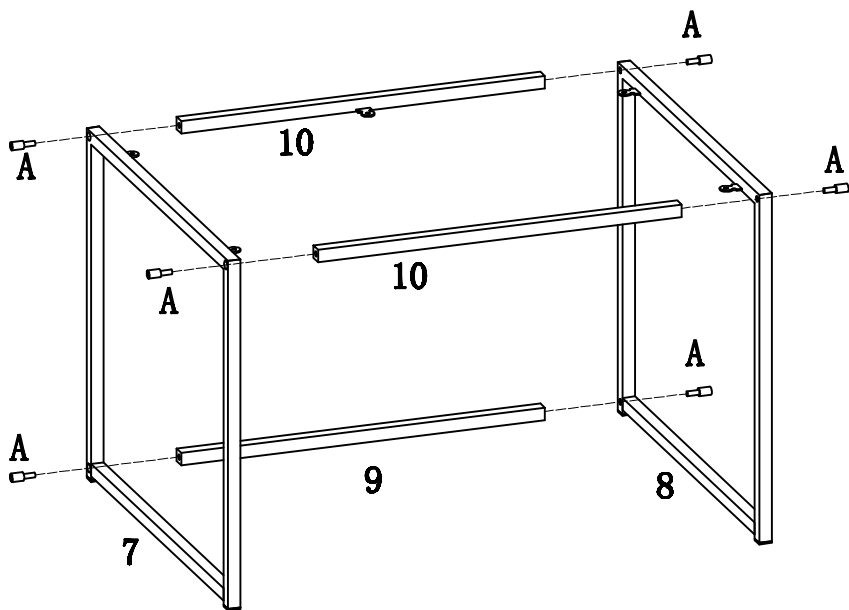






| | | | | |
|--|---|--|--|--|
| <p>1</p>  <p>1PC</p> | <p>2</p>  <p>1PC</p> | <p>3</p>  <p>1PC</p> | <p>4</p>  <p>1PC</p> | |
| <p>5</p>  <p>2PCS</p> | <p>6</p>  <p>1PC</p> | <p>7</p>  <p>1PC</p> | <p>8</p>  <p>1PC</p> | |
| <p>9</p>  <p>1PC</p> | <p>10</p>  <p>2PCS</p> | <p>A</p> <p>M6×15mm</p>  <p>12PCS</p> | <p>B</p> <p>M4×10mm</p>  <p>12PCS</p> | <p>C</p> <p>4mm</p>  <p>1PC</p> |



| | |
|---|---|
| A | B |
| M6×15mm | M4×10mm |
|  |  |
| 6PCS | 6PCS |



| | |
|---|---|
| A | B |
| M6×15mm | M4×10mm |
|  |  |
| 6PCS | 6PCS |