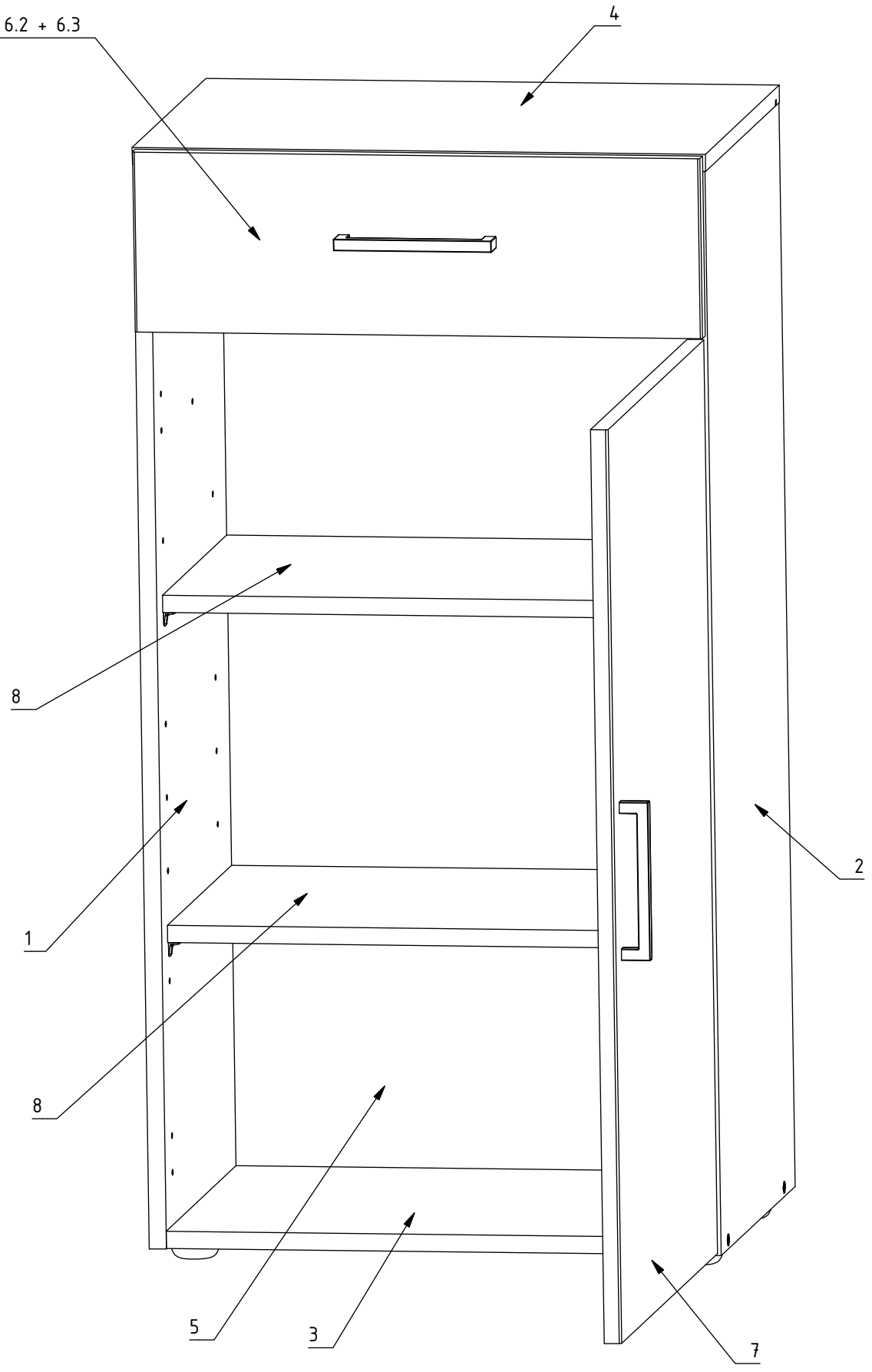
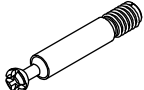

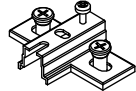
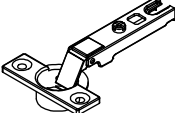

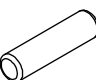
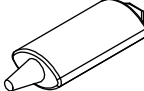
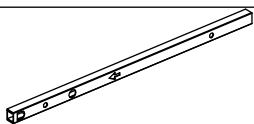


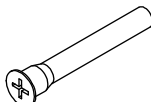

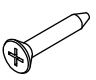
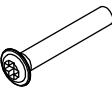

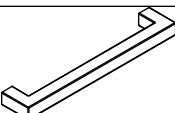

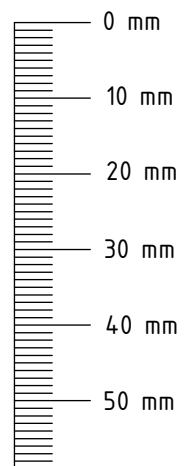
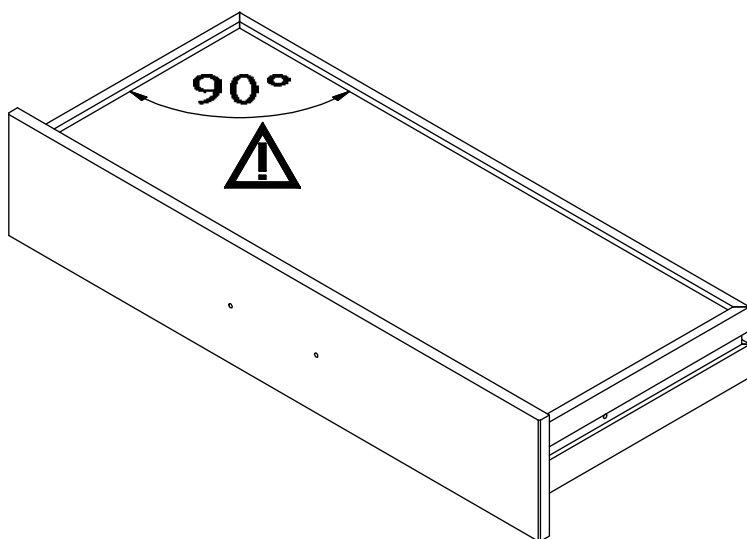
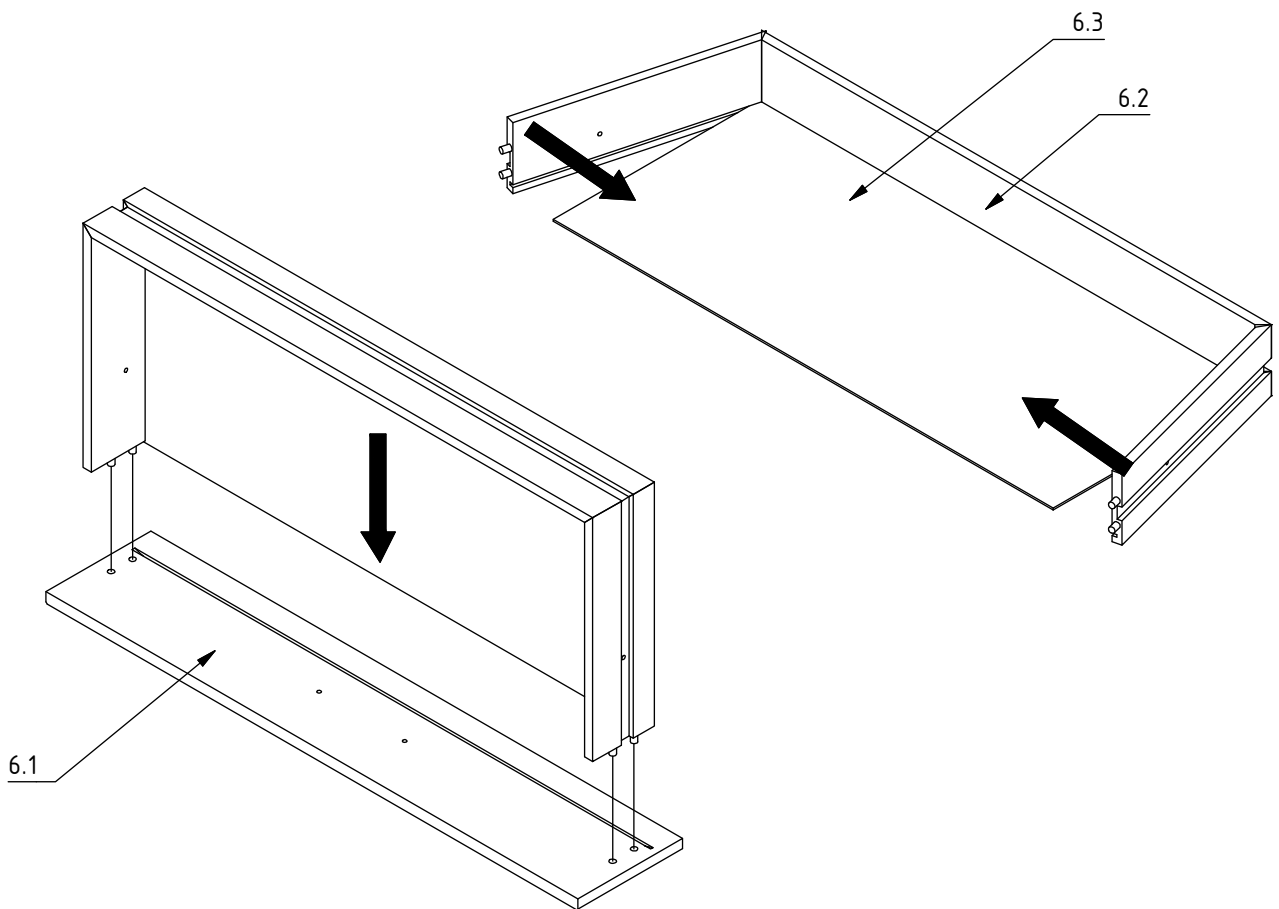
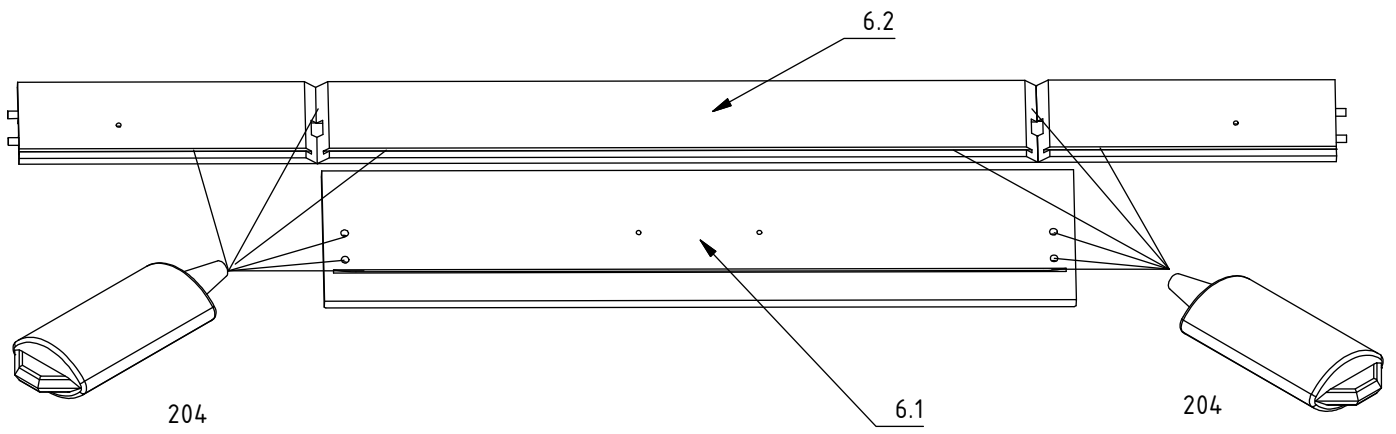


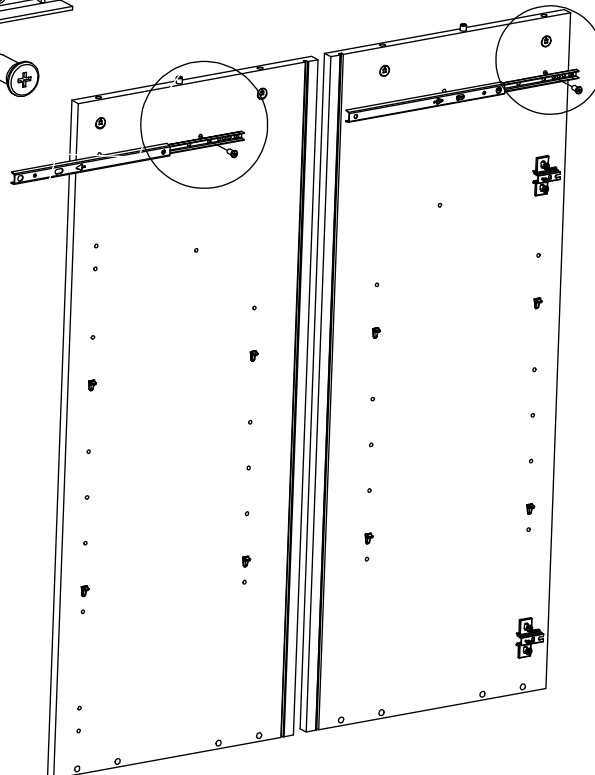
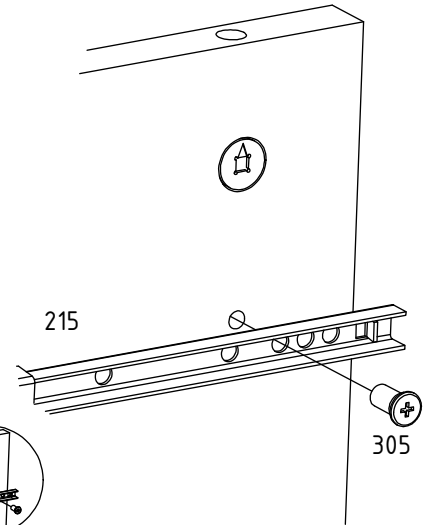
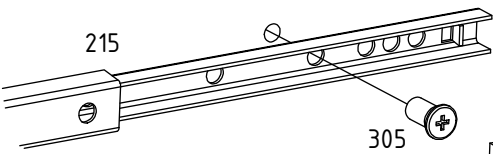
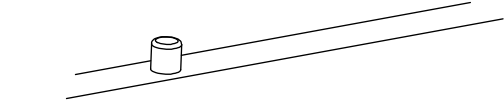
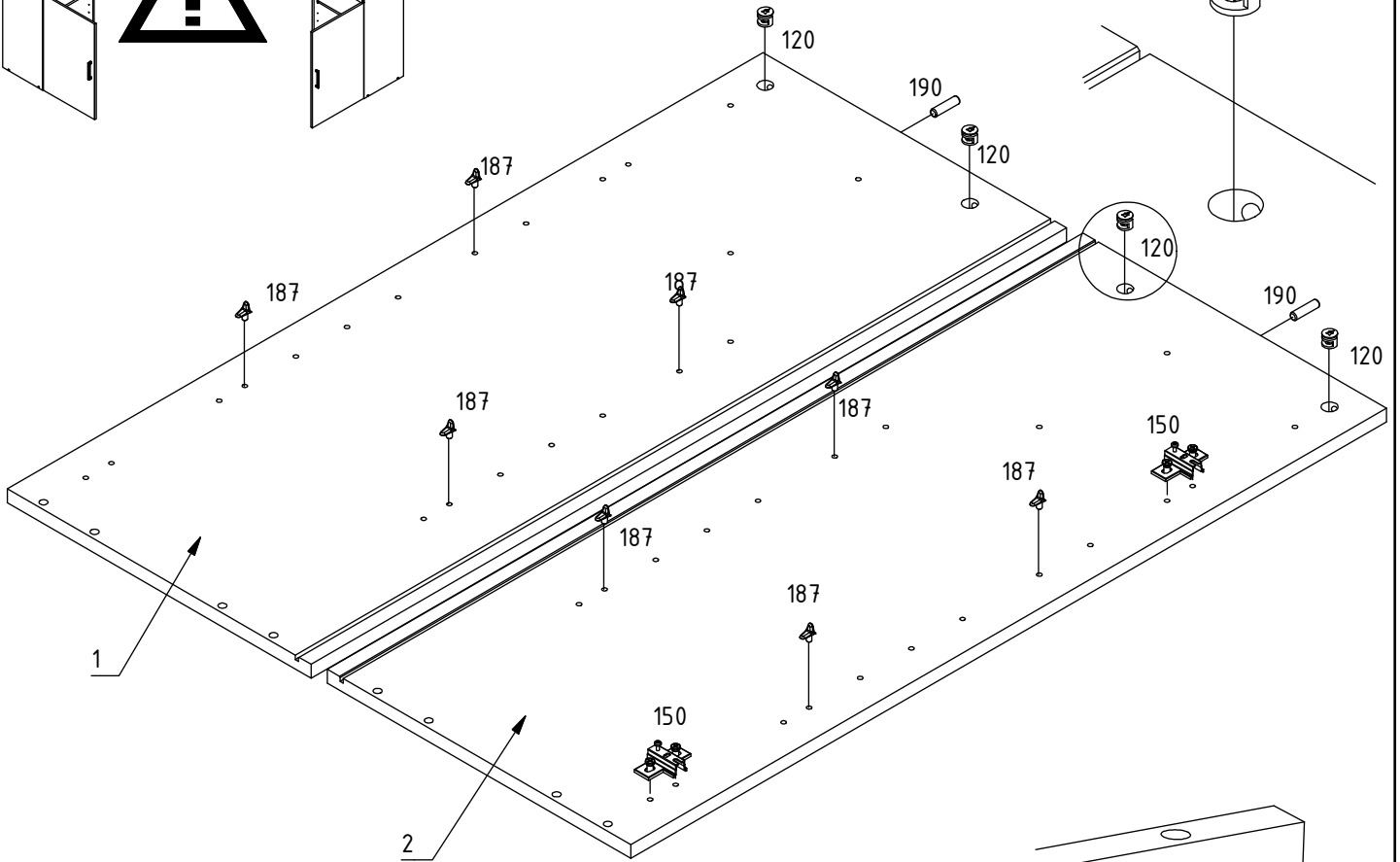
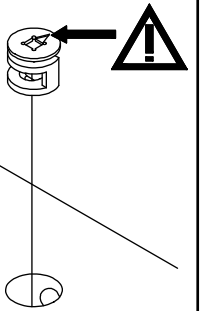
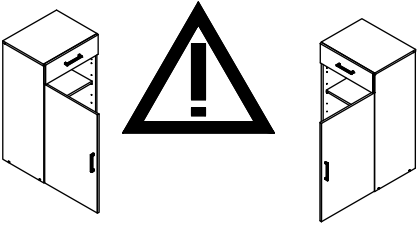
6.1 + 6.2 + 6.3

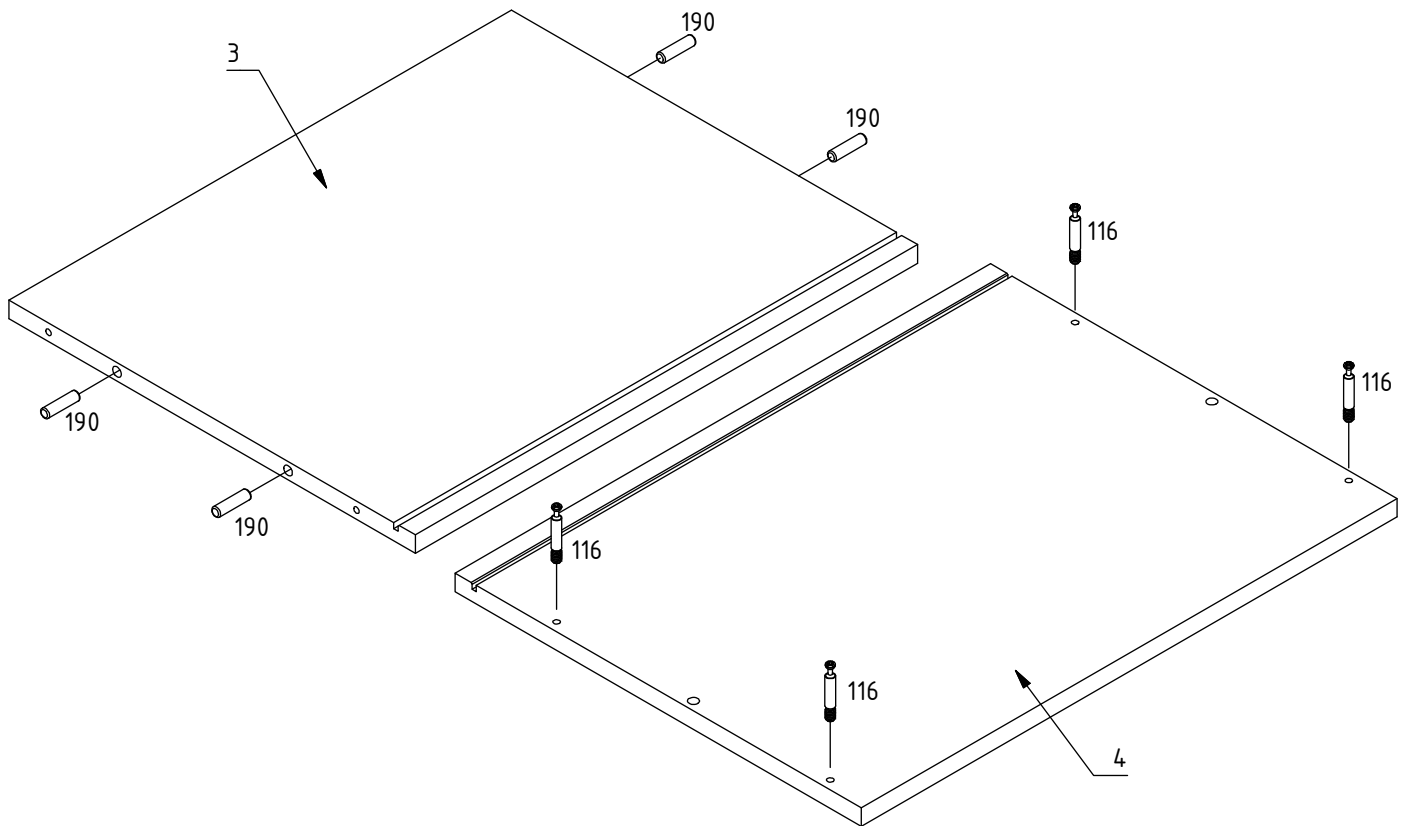
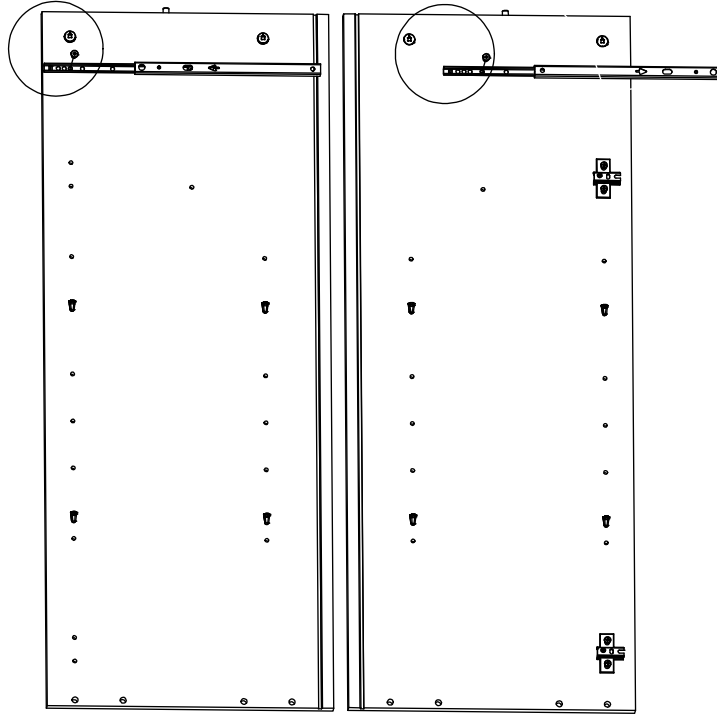
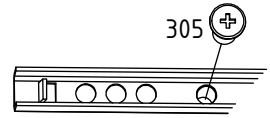
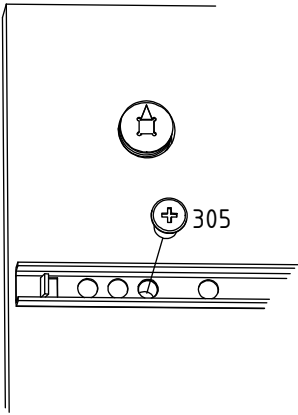


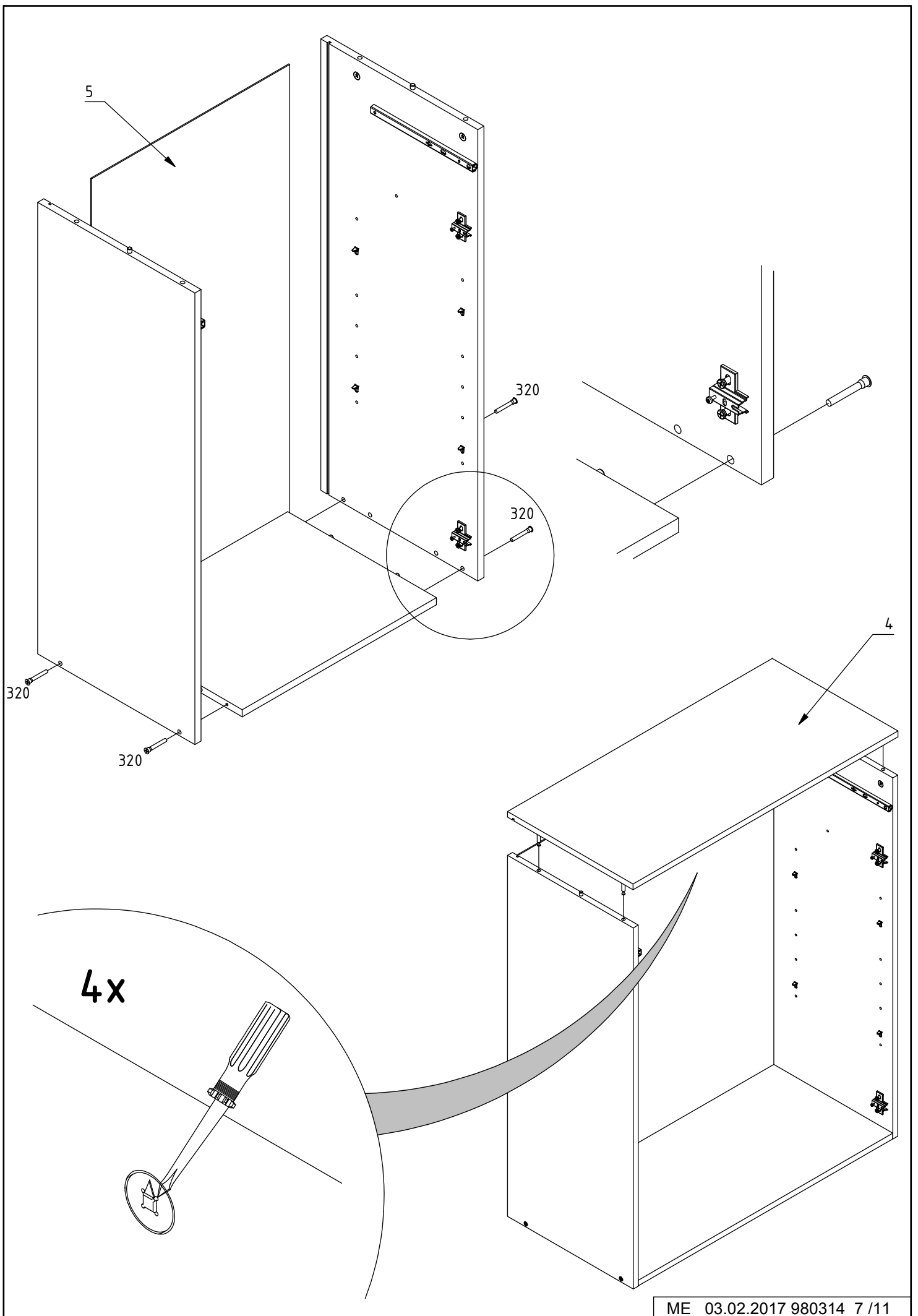
|     |   |   |           |
|-----|---|---|-----------|
| 116 | 4 |    |           |
| 120 | 4 |    |           |
| 150 | 2 |    |           |
| 159 | 2 |    |           |
| 187 | 8 |    |           |
| 190 | 6 |    | Ø8x30     |
| 204 | 1 |    |           |
| 215 | 2 |   |           |
| 220 | 6 |  |           |
| 305 | 4 |  | 6,3 x9 mm |
| 320 | 4 |  |           |
| 351 | 4 |  | 3,5x15mm  |
| 352 | 4 |  | 4,0x20mm  |
| 377 | 4 |  | 4,0x25mm  |
| 408 | 2 |  |           |
| 503 | 2 |  |           |
| 737 | 4 |  |           |

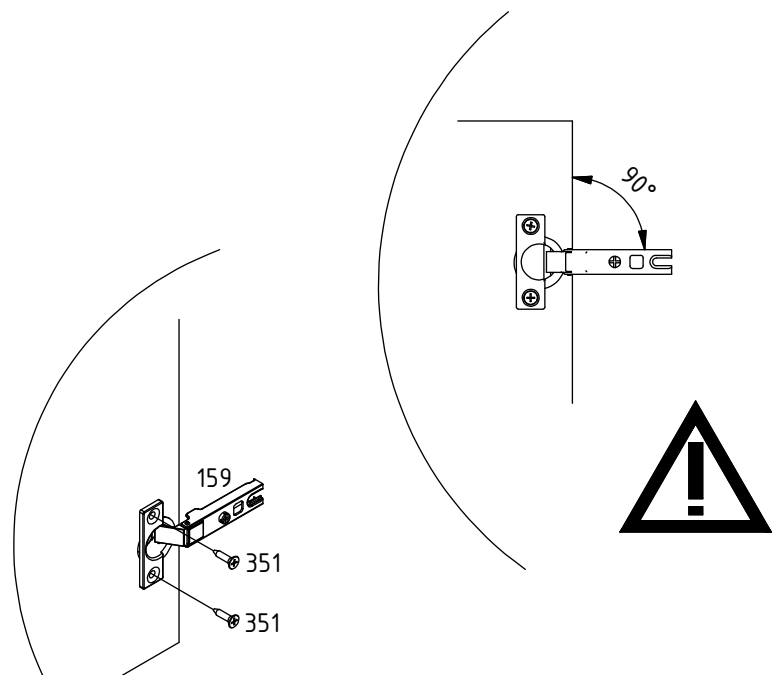
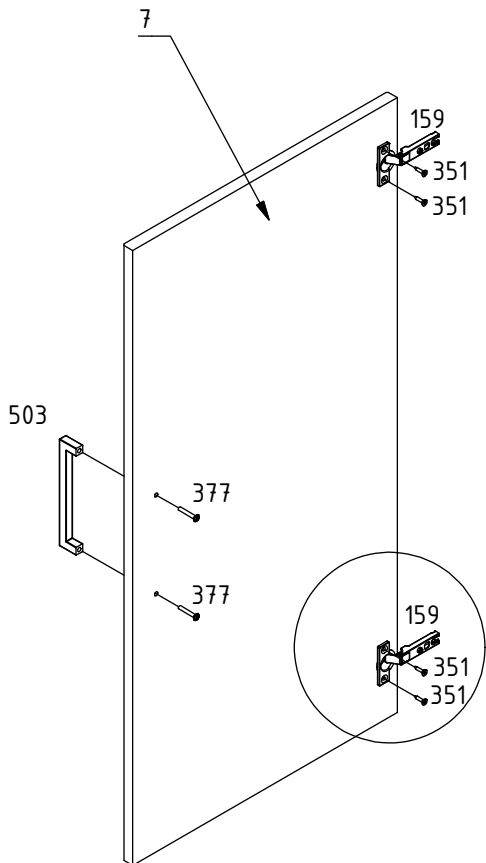
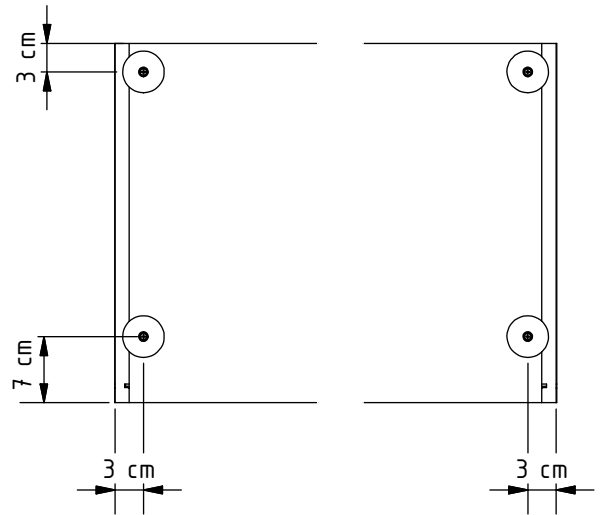
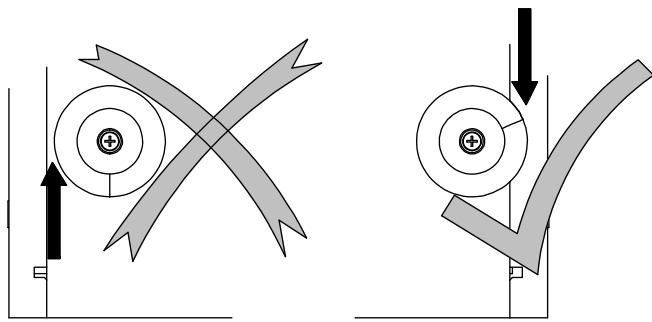
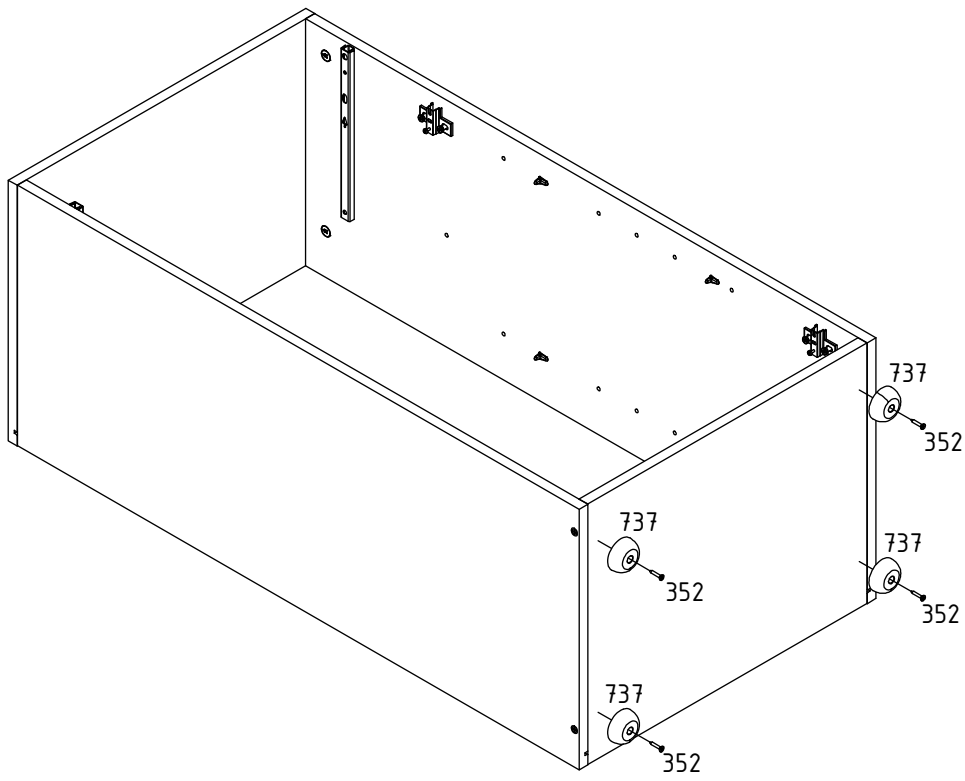




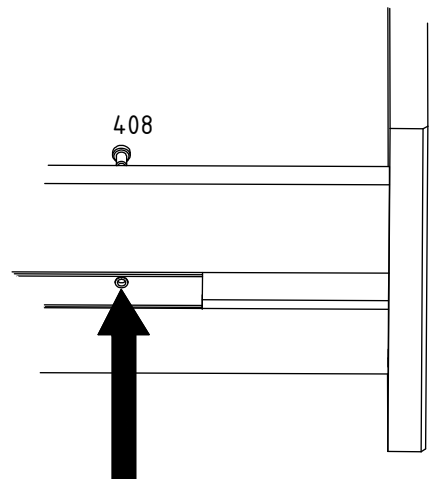
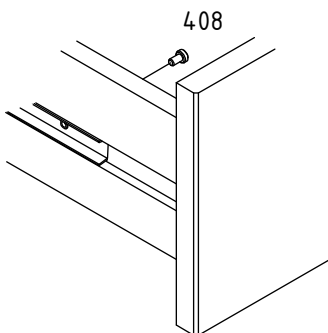
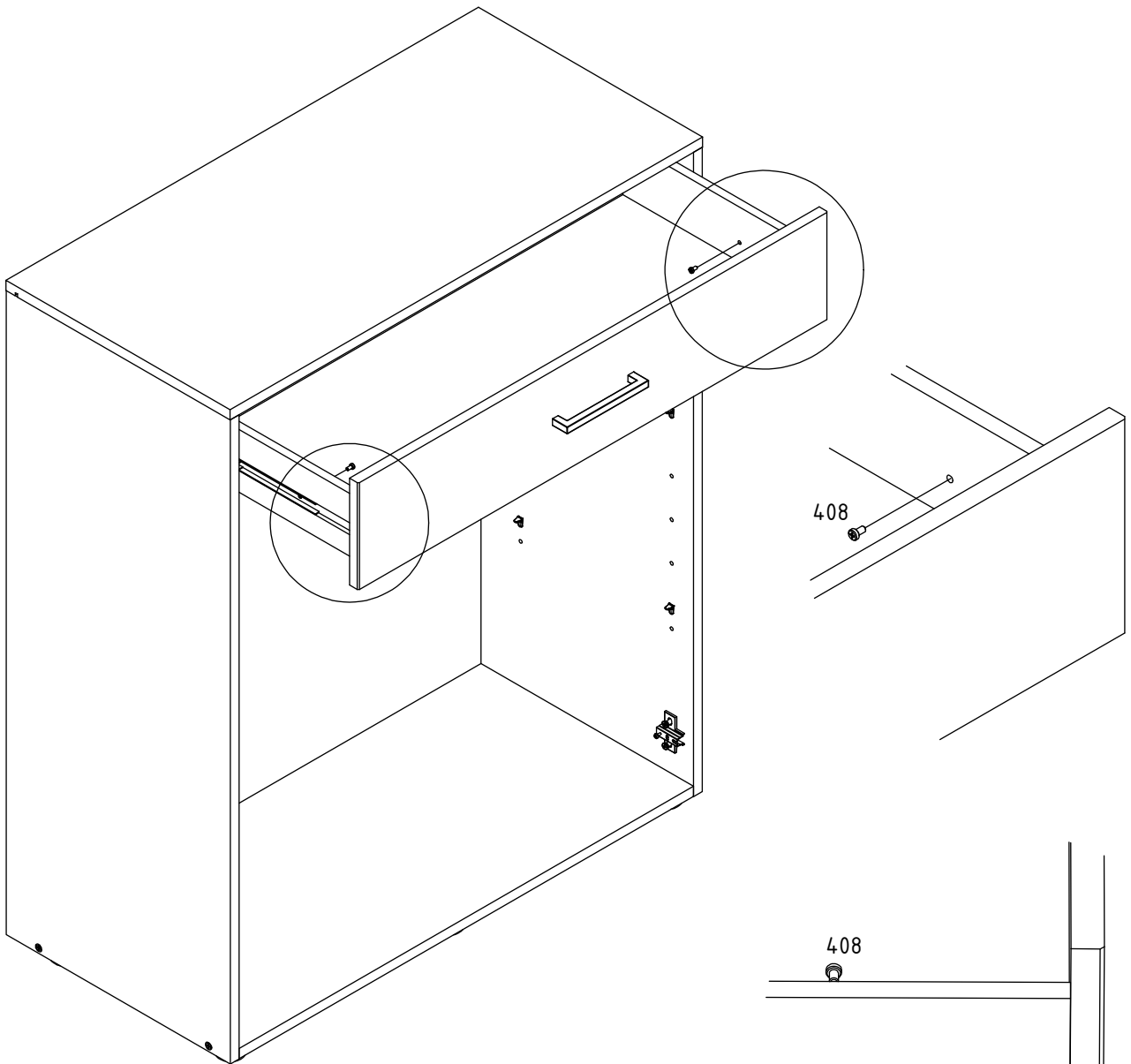
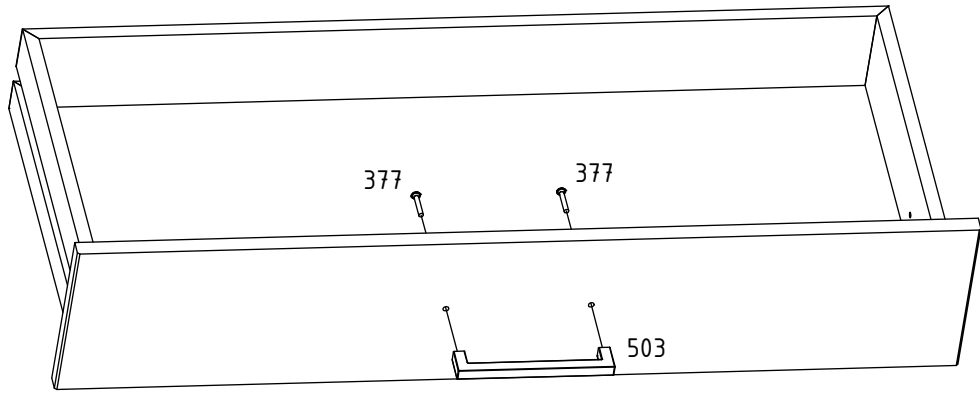


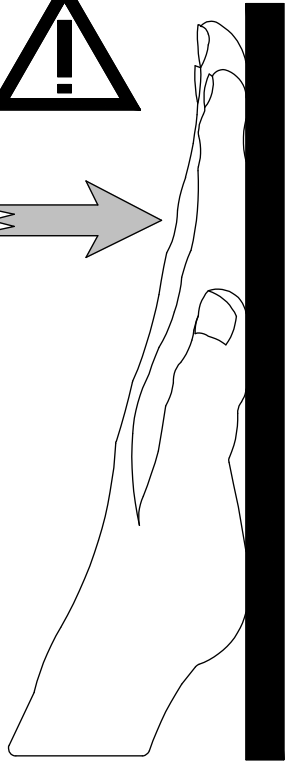






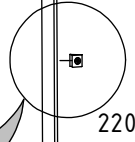
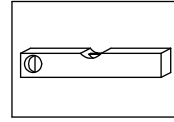






6x

220



220

