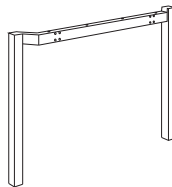
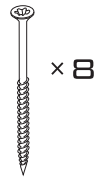
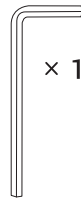
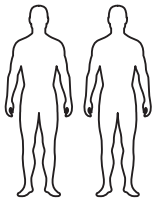
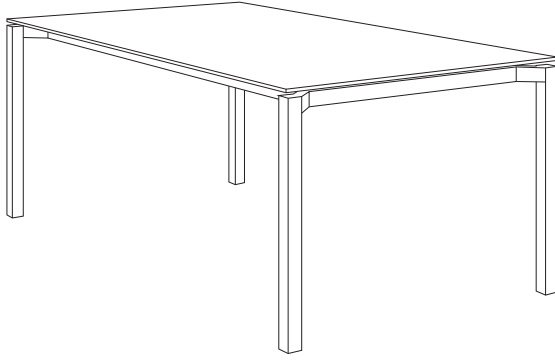
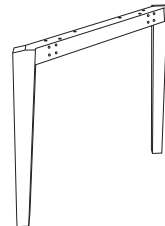


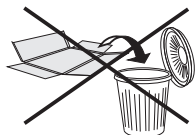
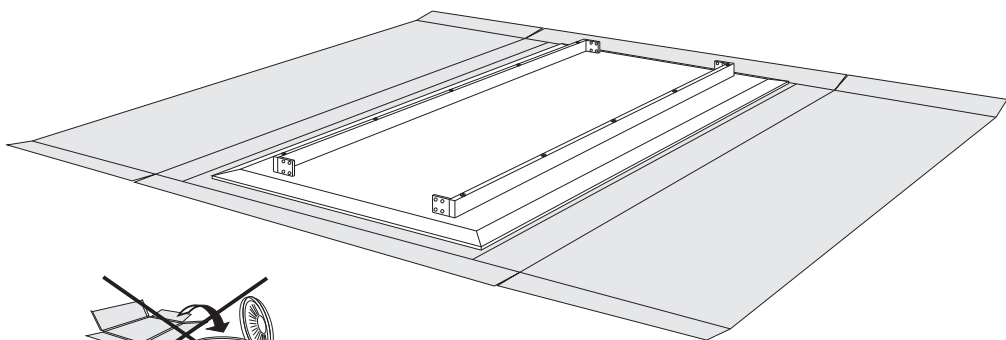
möbitec

terra tables family

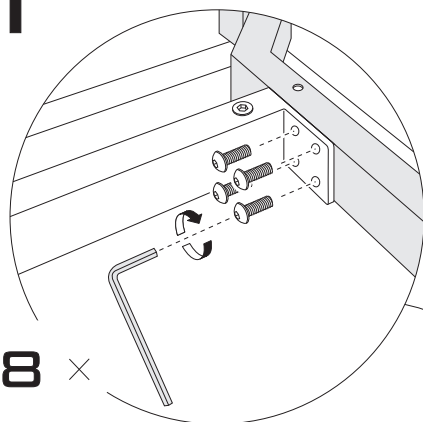


$\times 2$
↕
↔

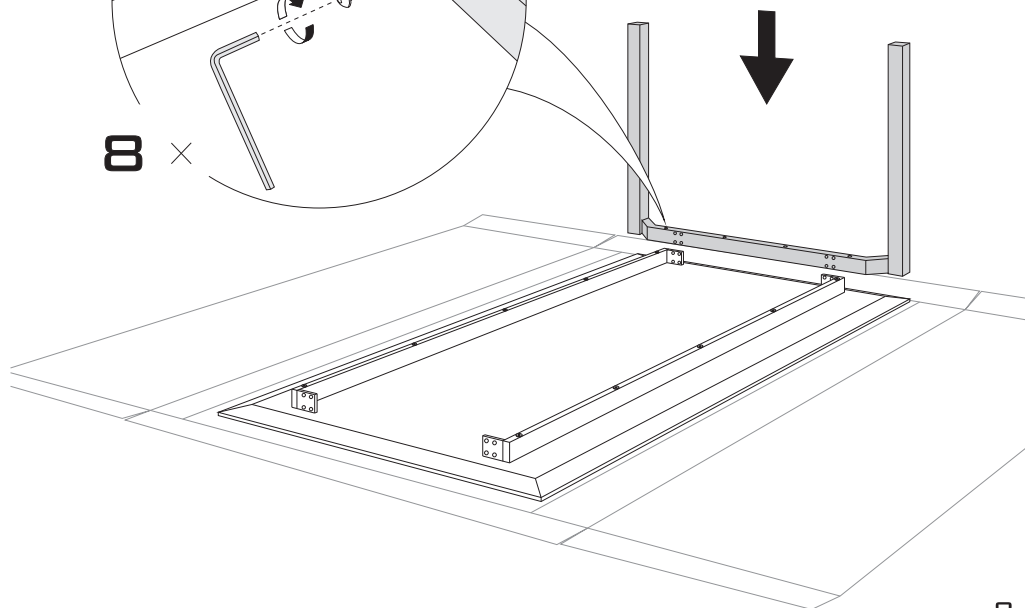




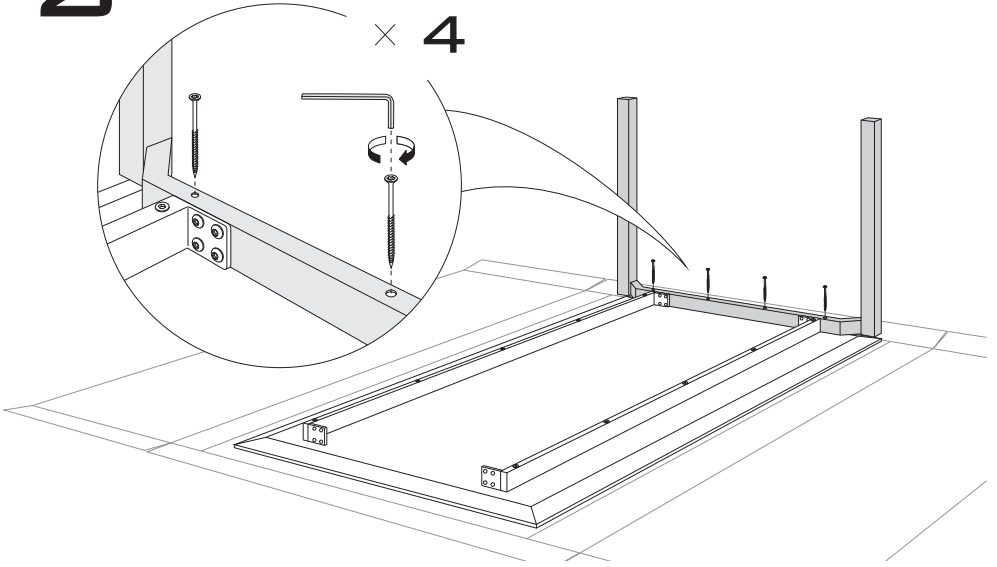
1



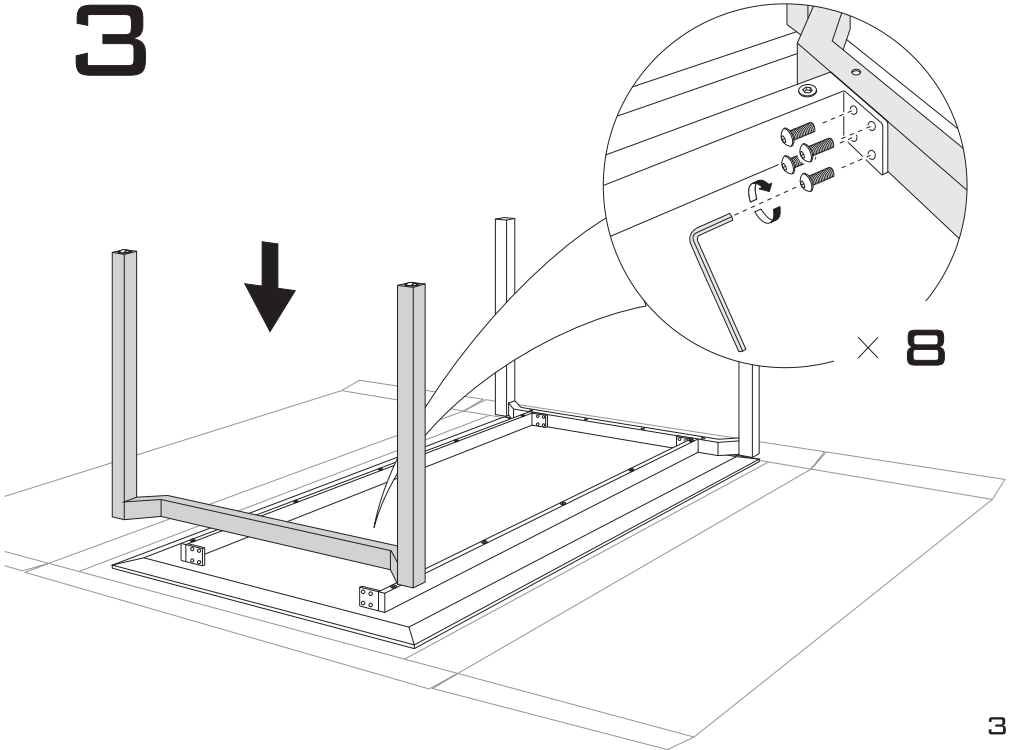
8 x



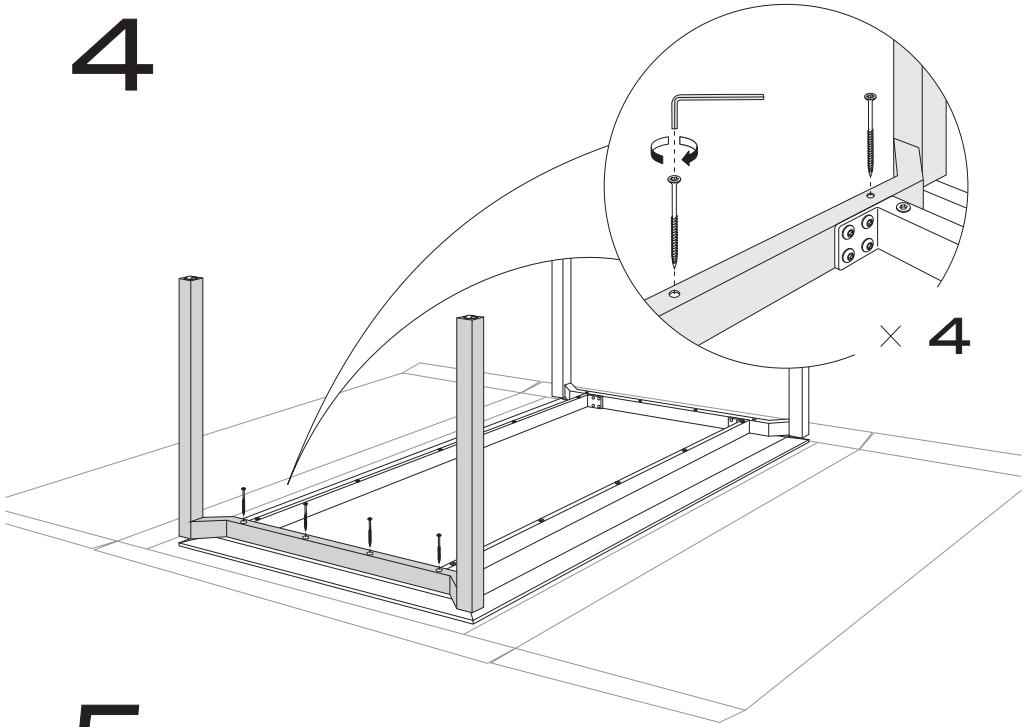
2



3



4



5

